



# UL LED Downlite™

USA Quickship program

americanlite®

We light your world™



## Double Ring Ceiling Light Selectable CCT



### STANDARDS



### HOUSING

- Brushed Nickel steel, white housing.

### ELECTRICAL

- Universal 120V AC voltage (60Hz) is standard.
- Triac dimming.
- Input transient surge protection = 0.5kV.
- Power factor > 0.90.

### OPTICAL SYSTEM

- Plastic diffuser.
- Field selectable 2700k(soft white), 3000k(warm white), 3500k(warm/neutral white), 4000k (neutral white) and 5000k (cool white) color temperatures\*.
- Delivers a range of 1,200 to 2,000 nominal lumens\*.
- Long-life LEDs provide 139,000 hours of operation with at least 70% of initial lumen output (L70)\*\*.
- LED color maintenance <math>< 0.00346</math> chromaticity shift ( $\Delta u'v'$ ) over the initial 6,000 hours of operation.
- Color rendering index > 90.

\* Factory Default kelvin temperature 4000k and highest lumen output

\*\*L70 hours are IES TM-21-11 calculated hours.

### MOUNTING

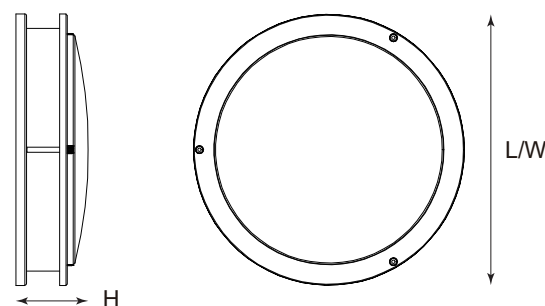
- Surface mounting and retrofit installation.
- Covered ceiling mount .

### CODE COMPLIANCE

- cETLus listed for damp locations.
- Complies with FCC part 15, class B.

### WARRANTY

- 5 year warranty on all electronics and housing.



Model #	L (in)	W (in)	H (in)	Weight (lbs)
DR12-12L-5CCT	11.81	11.81	3.54	1.66
DR14-18L-5CCT	13.78	13.78	3.54	2.21
DR16-20L-5CCT	15.75	15.75	3.54	3.10

### ORDERING INFORMATION

Example: DR12-12L-5CCT

Model	Nominal Lumen Output		Kelvin Selectable
DR-12	12L	1200 lm / 17W	5CCT 2700 / 3000 / 3500 / 4000 / 5000K
DR-14	18L	1800 lm / 22W	
DR-16	20L	2000 lm / 26W	

## COMPATIBLE DIMMERS AND CONTROLS

Manufacturer	Model Number		
<b>Lutron</b>	TG-600PR-WH	SLV-600P-AL	DVCL-153P
	S-600PR-WH	DV-600PR-WH	MSCL-OP153M
	CTCL-153PDH-WH	SCL-153PH-WH	PD-6WCL
	TGCL-153PH-LA	GT-600P	MACL-153M//MA-R
<b>Leviton</b>	6672	6674	IPL06
	RNL06	DSL06	-

## Round Flat Disk Lights Selectable CCT



### STANDARDS



### HOUSING

- Die casting aluminum
- Powder coat white finish standard.
- Black and brushed nickel trim ring selectable.

### ELECTRICAL

- Universal 120V AC voltage (60Hz) is standard.
- Triac dimming.
- Input transient surge protection = 0.5kV.
- Power factor > 0.90.
- Total Harmonic distortion < 20%.

### OPTICAL SYSTEM

- Plastic diffuser.
- Field selectable 2700k(soft white), 3000k(warm white), 3500k(warm/neutral white), 4000k (neutral white) and 5000k (cool white) color temperatures\*.
- Delivers a range of 800 to 2,200 nominal lumens\*.
- Long-life LEDs provide 174,000 hours of operation with at least 70% of initial lumen output (L70), and 51,000 hours with at least 90% of initial lumen output (L90)\*\*.
- LED color maintenance < -0.0078 chromaticity shift ( $\Delta u'v'$ ) over the initial 6,000 hours of operation.
- Color rendering index > 90.

### MOUNTING

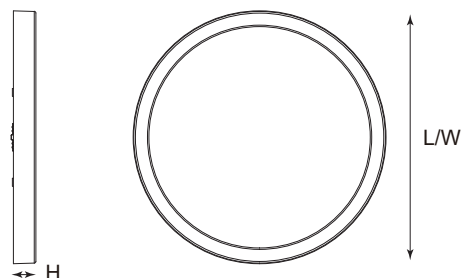
- Surface mounting and retrofit installation.
- Covered ceiling mount .

### CODE COMPLIANCE

- cETLus listed for wet locations.
- Energy Star certificated, excludes DL11-20L-5CCT and DL13-22L-5CCT.
- Complies with FCC part 15, class B.
- Complies with Title 24.

### WARRANTY

- 5 year warranty on all electronics and housing.



Model #	L (in)	W (in)	H (in)	Weight (lbs)
DL5-8L-5CCT	5.51	5.51	0.79	0.99
DL7-12L-5CCT	7.48	7.48	0.79	1.33
DL9-14L-5CCT	8.86	8.86	0.79	1.55
DL11-20L-5CCT	10.98	10.98	0.98	1.77
DL13-22L-5CCT	12.80	12.80	0.98	2.1

\* Factory Default kelvin temperature 4000k and highest lumen output

\*\*L70 and L90 hours are IES TM-21-11 calculated hours.

### ORDERING INFORMATION

Example: DL7-12L-5CCT

Model	Nominal Lumen Output		Kelvin Selectable
DL5	8L	800 lm	5CCT 2700 / 3000/ 3500/ 4000/ 5000K
DL7	12L	1200 lm	
DL9	14L	1400 lm	
DL11	20L	2000 lm	
DL13	22L	2200 lm	

## ACCESSORIES (ORDER SEPARATELY)

**Trim Rings**

TR-7-BK	=	Black trim ring for use with DL7-12L-5CCT
TR-7-BN	=	Brushed nickel trim ring for use with DL7-12L-5CCT
TR-13-BK	=	Black trim ring for use with DL13-22L-5CCT
TR-13-BN	=	Brushed nickel trim ring for use with DL13-22L-5CCT

## COMPATIBLE DIMMERS AND CONTROLS

Manufacturer	Model Number		
Lutron	TG-600PR-WH	SLV-600P-AL	MSCL-OP153M
	CT-103PR-WH	DVWCL-153PH	DVRF-6L
	CTCL-153PDH-WH	GT-600P	PD-6WCL
	STCL-153MR	RCL-153RNL	CTCL-150H
	TGCL-153PH-LA	DVCL-153P	S2-LFSQH-WH
	MACL-153MA	-	-
Leviton	6672	6674	DSL06
	IPL06	RNL06	-

## LUMEN TABLES

Series	Measurements	Lumens				
		2700K	3000K	3500K	4000K	5000K
DL5-8L-5CCT	Lumens	784	816	856	849	828
	Watts	9.57	9.63	9.73	9.64	9.47
	Efficacy	81.95	84.74	87.98	88.07	87.43

Series	Measurements	Lumens				
		2700K	3000K	3500K	4000K	5000K
DL7-12L-5CCT	Lumens	1051	1138	1224	1250	1156
	Watts	14.25	14.51	14.84	14.86	14.42
	Efficacy	73.75	78.43	82.48	84.12	80.17

Series	Measurements	Lumens				
		2700K	3000K	3500K	4000K	5000K
DL9-14L-5CCT	Lumens	1275	1352	1486	1448	1381
	Watts	16.85	16.97	17.72	17.11	16.72
	Efficacy	75.67	79.67	83.86	84.63	82.60

Series	Measurements	Lumens				
		2700K	3000K	3500K	4000K	5000K
DL11-20L-5CCT	Lumens	1810	1926	2045	2114	2083
	Watts	21.1	20.85	20.51	20.48	20.97
	Efficacy	85.78	92.37	99.71	103.22	99.33

Series	Measurements	Lumens				
		2700K	3000K	3500K	4000K	5000K
DL13-22L-5CCT	Lumens	2042	2151	2292	2337	2301
	Watts	23.03	22.76	22.34	22.46	22.98
	Efficacy	88.67	94.51	102.60	104.05	100.13

## Disk Light Kelvin Field Selectable

### STANDARDS



### HOUSING

- Premium powder-coat, steel , white housing.

### ELECTRICAL

- 120V AC voltage (60Hz) is standard.
- Triac dimming.
- Input transient surge protection = 0.5kV.
- Power factor > 0.90.
- Total Harmonic distortion < 20%.

### OPTICAL SYSTEM

- Polycarbonate diffuser.
- Field selectable 2700k(soft white), 3000k(warm white), 3500k(warm/neutral white), 4000k (neutral white) and 5000k (cool white) color temperatures\*.
- DK4-8L-KFS to provide a range delivers 741 to 830 nominal lumens\*.
- DK6-10L-KFS to provide a range delivers 1153 to 1268 nominal lumens\*.
- Long-life LEDs provide 134,000 hours of operation with at least 70% of initial lumen output (L70), and 41,000 hours with at least 90% of initial lumen output (L90)\*\*.
- Beam angle 120°.
- Color rendering index > 90.

\* Default 4000k kelvin temperature  
\*\*L70 & L90 hours are IES TM-21-11 calculated hours.



### MOUNTING

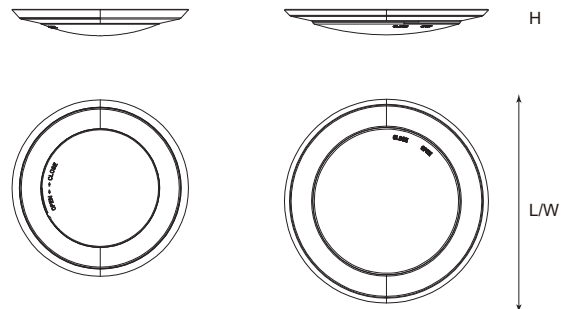
- Surface mounting and retrofit installation.
- Covered ceiling mount.

### CODE COMPLIANCE

- cETLus listed for wet locations.
- Energy Star certified.
- Complies with FCC part 15, class B.
- Complies with Title 24.

### WARRANTY

- 5 year warranty on all electronics and housing.



Model #	L (in)	W (in)	H (in)	Weight (lbs)
DK4-8L-KFS	5.87	5.87	0.87	0.35
DK6-10L-KFS	7.22	7.22	0.9	0.49

### ORDERING INFORMATION

Example: DK4-8L-KFS

Series	Nominal Lumen Output		Kelvin Selectable
DK4	8L	800 lm	KFS 2700 / 3000/ 3500/ 4000/ 5000K
DK6	10L	1000 lm	

## LUMEN TABLES

Series	Measurements	Mid Lumens				
		2700K	3000K	3500K	4000K	5000K
DK4-8L-KFS	Lumens	741	773	829	832	830
	Watts	9.82	9.84	9.96	9.91	9.88
	Efficacy	75.50	78.51	83.23	83.91	84.02

Series	Measurements	Mid Lumens				
		2700K	3000K	3500K	4000K	5000K
DK6-10L-KFS	Lumens	1,153	1,206	1,289	1,277	1,268
	Watts	14.26	14.42	14.69	14.45	14.37
	Efficacy	80.86	83.63	87.75	88.37	88.24

## ELECTRICAL DATA

Series	CCT	Input Amps (A)
		Mid Lumens
		120V
DK4-8L-KFS	2700K	0.08
	3000K	0.08
	3500K	0.08
	4000K	0.08
	5000K	0.08

Series	CCT	Input Amps (A)
		Mid Lumens
		120V
DK6-10L-KFS	2700K	0.12
	3000K	0.12
	3500K	0.12
	4000K	0.12
	5000K	0.12

## COMPATIBLE DIMMERS AND CONTROLS

Manufacturer	Model Number		
Lutron	TG-600PR-WH	SLV-600P-AL	DVCL-153P
	S-600PR-WH	DV-600PR-WH	MSCL-OP153M
	CTCL-153PDH-WH	SCL-153PH-WH	PD-6WCL
	TGCL-153PH-LA	GT-600P	MACL-153M//MA-R
Leviton	6672	6674	IPL06
	RNL06	DSL06	-

## Disk Light with PIR sensor Kelvin Field Selectable

### STANDARDS



### HOUSING

- Premium powder-coat, steel, white housing.

### ELECTRICAL

- 120V AC voltage (60Hz) is standard.
- Triac dimming.
- Input transient surge protection = 0.5kV.
- Power factor > 0.90.
- Total Harmonic distortion < 20%.

### OPTICAL SYSTEM

- Polycarbonate diffuser.
- Field selectable 2700k(soft white), 3000k(warm white), 3500k(warm/neutral white), 4000k (neutral white) and 5000k (cool white) color temperatures\*.
- DK4-8L-KFS-OS to provide a range delivers 770 to 812 nominal lumens\*.
- DK6-10L-KFS-OS to provide a range delivers 1123 to 1235 nominal lumens\*.
- Long-life LEDs provide 139,000 hours of operation with at least 70% of initial lumen output (L70), and 42,000 hours with at least 90% of initial lumen output (L90)\*\*.
- Beam angle 110°.
- Integrated PIR occupancy sensor standard.
- Sensor hold-time adjustable by switch.
- Color rendering index > 90.

\* Default 4000k kelvin temperature and highest lumen output.  
\*\*L70 & L90 hours are IES TM-21-11 calculated hours.



### MOUNTING

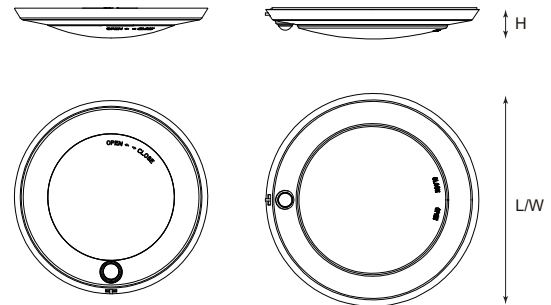
- Surface mounting and retrofit installation.
- Covered ceiling mount.

### CODE COMPLIANCE

- cETLus listed for wet locations.
- Energy Star certified.
- Complies with FCC part 15, class B.
- Complies with Title 24.

### WARRANTY

- 5 year warranty on all electronics and housing.



Model #	L (in)	W (in)	H (in)	Weight (lbs)
DK4-8L-KFS-OS	6.02	6.02	0.93	0.33
DK6-10L-KFS-OS	7.4	7.4	1.03	0.53

### ORDERING INFORMATION

Example: DK4-8L-KFS-OS

Series	Nominal Lumen Output		Kelvin Selectable	Sensor
DK4	8L	800 lm	KFS 2700 / 3000/ 3500/ 4000/ 5000K	OS Integrated PIR Occupancy sensor
DK6	10L	1000 lm		

## LUMEN TABLES

Series	Measurements	Mid Lumens				
		2700K	3000K	3500K	4000K	5000K
DK4-8L-KFS-OS	Lumens	770	785	828	837	812
	Watts	9.96	9.98	9.99	9.97	9.84
	Efficacy	77.25	78.68	82.90	83.89	82.51

Series	Measurements	Mid Lumens				
		2700K	3000K	3500K	4000K	5000K
DK6-10L-KFS-OS	Lumens	1,123	1,140	1,235	1,203	1,140
	Watts	13.68	13.69	14.04	13.87	13.56
	Efficacy	82.09	83.27	87.96	86.73	84.07

## ELECTRICAL DATA

Series	CCT	Input Amps (A)
		Mid Lumens
		120V
DK4-8L-KFS-OS	2700K	0.08
	3000K	0.08
	3500K	0.08
	4000K	0.08
	5000K	0.08

Series	CCT	Input Amps (A)
		Mid Lumens
		120V
DK6-10L-KFS-OS	2700K	0.11
	3000K	0.11
	3500K	0.12
	4000K	0.12
	5000K	0.11

## COMPATIBLE DIMMERS AND CONTROLS

Manufacturer	Model Number		
<b>Lutron</b>	TG-600PR-WH	SLV-600P-AL	DVCL-153P
	S-600PR-WH	DV-600PR-WH	MSCL-OP153M
	CTCL-153PDH-WH	SCL-153PH-WH	PD-6WCL
	TGCL-153PH-LA	GT-600P	MACL-153M//MA-R
<b>Leviton</b>	6672	6674	IPL06
	RNL06	DSL06	-

## Architectural Pendant Cylinder Luminaire Lumen & Kelvin Selectable

### STANDARDS



### HOUSING

- Premium powder-coat, aluminum, bronze housing.

### ELECTRICAL

- Operating temperature (ambient): -40°C to 45°C (-40°F to 113°F).
- Universal 120-277V AC voltage (50-60Hz) is standard.
- 0-10VDC dimming drivers are standard.
- Surge protection = 4kV.
- Power factor > 0.90.

### OPTICAL SYSTEM

- Silicon dioxide glass lens.
- Field selectable 2700k (soft white), 3000k (warm white), 3500k (warm/neutral white), 4000k (neutral white) and 5000k (cool white) color temperatures\*.
- Tri-Lumen selectable provides a range of 978 to 1907 nominal lumens\*.
- Long-life LEDs provide 140,000 hours of operation with at least 70% of initial lumen output (L70), and 41,000 hours with at least 90% of initial lumen output (L90)\*\*.
- Fixtures comes installed with 40 degree reflector.
- Available field replaceable reflectors for 25° and 60°.
- LED color maintenance < 0.0004 chromaticity shift ( $\Delta u'v'$ ) over the initial 6,000 hours of operation.
- Color rendering index > 90.

\* Default 4000k color temperature and highest lumen output.

\*\*L70 hours are IES TM-21-11 calculated hours.



### MOUNTING

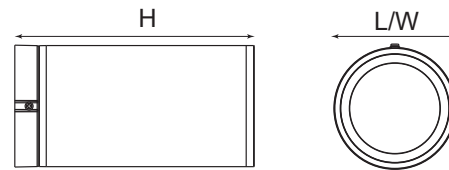
- Optional Surface mount kit.
- Optional Cord mount kit.
- Optional Stem mount kit (Sold separately).†

### CODE COMPLIANCE

- cULus listed for wet locations.
- Energy Star certified.
- Complies with FCC part 15, class B.

### WARRANTY

- 5 year warranty on all electronics and housing.



Model #	L (in)	W (in)	H (in)	Weight (lbs)
APEN4-221L-5CCT-SM	4.17	4.17	8.27	2.39
APEN4-221L-5CCT-CM	4.17	4.17	67.30	2.58

### ORDERING INFORMATION

Example: APEN4-221L-5CCT-SM

Series	Nominal Lumen Output (Selectable)		Kelvin Selectable	Mounting Method
	221L	2000 / 1600 / 1000lm		
APEN4	221L	2000 / 1600 / 1000lm	5CCT 2700K / 3000K / 3500K / 4000K / 5000K	SM Surface Mounting CM Cord Mounting

## ACCESSORIES (ORDER SEPARATELY)

### Reflector

APEN4-REFL-25 = 25° Reflector for APEN4-221L-5CCT

APEN4-REFL-60 = 60° Reflector for APEN4-221L-5CCT

### Mounting Option

APEN-MT-STEM = Stem Mount for APEN4-221L-5CCT (consists of 4 stems measuring 12") †

### Mounting Accessory

APEN-JBOX-COVER = Junction Box Cover for APEN4-221L-5CCT

† Note: Must order APEN4-221L-5CCT-CM version (cord mount) to use stem mount kit. e: Must order APEN

## COMPATIBLE DIMMERS AND CONTROLS

Manufacturer	Model Number	Dimmer Range	Load Switching Capacity
Americanlite	DWS-010V-T	10%-100%	600W
Americanlite	DWS-010V-D	10%-100%	600W
Leviton	IP710-LFZ	10%-100%	1200W
Lutron	DVSTV	10%-100%	450W

## LUMEN TABLES

Series	Measurements	Low Lumens					Mid Lumens					High Lumens				
		2700K	3000K	3500K	4000K	5000K	2700K	3000K	3500K	4000K	5000K	2700K	3000K	3500K	4000K	5000K
APEN4-221L-5CCT	Lumens	978	1026	1074	1119	1200	1305	1367	1438	1509	1615	1527	1597	1679	1766	1907
	Watt	11.42	11.41	11.37	11.5	11.56	15.69	15.68	15.62	15.84	15.98	18.82	18.74	18.65	18.99	19.18
	Efficacy	85.64	89.92	94.46	97.30	103.81	83.17	87.18	92.06	95.27	101.06	81.14	85.22	90.03	93.00	99.43

## ELECTRICAL DATA

Series	CCT	Input Amps (A)								
		Low Lumens			Mid Lumens			High Lumens		
		120V	240V	277V	120V	240V	277V	120V	240V	277V
APEN4-221L-5CCT	2700K	0.10	0.05	0.04	0.13	0.07	0.06	0.16	0.08	0.07
	3000K	0.10	0.05	0.04	0.13	0.07	0.06	0.16	0.08	0.07
	3500K	0.09	0.05	0.04	0.13	0.07	0.06	0.16	0.08	0.07
	4000K	0.10	0.05	0.04	0.13	0.07	0.06	0.16	0.08	0.07
	5000K	0.10	0.05	0.04	0.13	0.07	0.06	0.16	0.08	0.07

## PHOTOMETRICS

### APEN4-221L-5CCT (Optional 25° reflector)

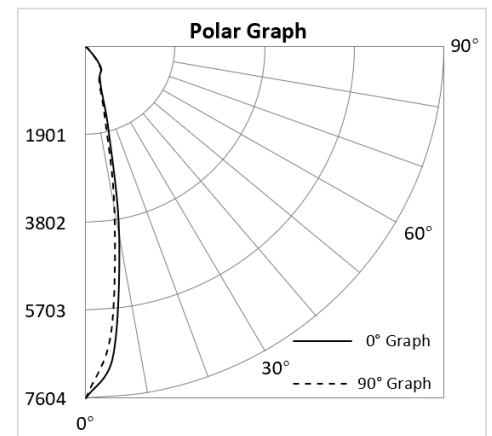
#### Luminaire Data

Description	Architectural Pendant Lumen/Kelvin Selectable
Total Lumens	1,819
Input Wattage	19
Efficacy (lm/W)	96
Spacing Criterion (0-180°)	0.38
Spacing Criterion (90-270°)	0.34

Photometrics calculated at 4000k, and highest lumen setting

#### Zonal Lumen Summary

Zone	Lumens	%Fixt
0-20°	1,033	56.8%
0-30°	1,363	75.0%
0-40°	1,698	93.4%
20-50°	752	41.3%
40-70°	103	5.7%
0-60°	1,799	98.9%
0-80°	1,803	99.1%
0-90°	1,803	99.1%
90-180°	16	0.9%
0-180°	1,819	100.0%



## APEN4-221L-5CCT (Optional 40° reflector)

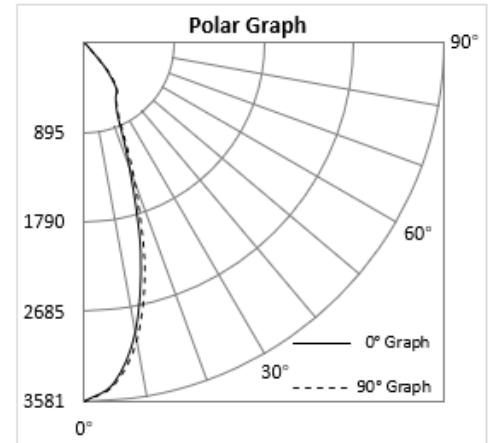
### Luminaire Data

Description	Architectural Pendant Lumen/Kelvin Selectable
Total Lumens	1,766
Input Wattage	19
Efficacy (lm/W)	93
Spacing Criterion (0-180°)	0.58
Spacing Criterion (90-270°)	0.6

Photometrics calculated at 4000k, and highest lumen setting

### Zonal Lumen Summary

Zone	Lumens	%Fixt
0-20°	913	51.7%
0-30°	1,309	74.1%
0-40°	1,648	93.3%
20-50°	830	47.0%
40-70°	115	6.5%
0-60°	1,758	99.5%
0-80°	1,765	100.0%
0-90°	1,766	100.0%
90-180°	0	0.0%
0-180°	1,766	100.0%



## APEN4-221L-5CCT (Optional 60° reflector)

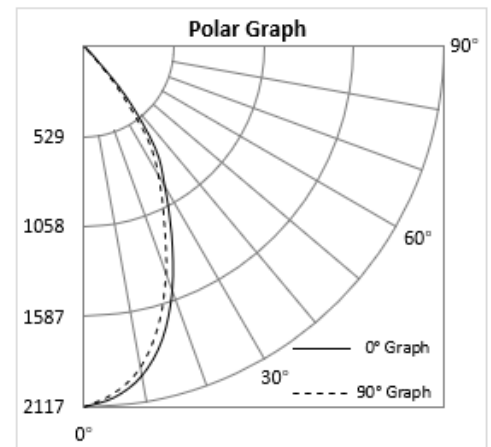
### Luminaire Data

Description	Architectural Pendant Lumen/Kelvin Selectable
Total Lumens	1,798
Input Wattage	19
Efficacy (lm/W)	95
Spacing Criterion (0-180°)	0.86
Spacing Criterion (90-270°)	0.8

Photometrics calculated at 4000k, and highest lumen setting

### Zonal Lumen Summary

Zone	Lumens	%Fixt
0-20°	684	38.1%
0-30°	1,236	68.7%
0-40°	1,665	92.6%
20-50°	1,074	59.7%
40-70°	113	6.3%
0-60°	1,771	98.5%
0-80°	1,782	99.1%
0-90°	1,783	99.1%
90-180°	15	0.9%
0-180°	1,798	100.0%



## Flat Panel Kelvin Field Selectable

### STANDARDS



### HOUSING

- Premium powder-coat, aluminum, white housing.

### ELECTRICAL

- Operating temperature (ambient): -20°C to 45°C (-4°F to 113°F).
- Universal 120V AC voltage (60Hz) is standard.
- FPR3-4L-KFS = 6W
- FPR4-6L-KFS = 9W
- FPR6-10L-KFS = 14W
- FPR8-14L-KFS = 17W
- Triac dimming.
- Input transient surge protection = 0.5kV.
- Type IC.
- Power factor > 0.90.
- Total Harmonic distortion < 20%.

### OPTICAL SYSTEM

- Field selectable 2700K (soft white), 3000K (warm white), 3500K (warm/neutral white), 4000K (neutral white) and 5000K (cool white) color temperatures\*.
- Provide a range delivers 400 to 1700 nominal lumens\*.
- Long-life LEDs provide 139,000 hours of operation with at least 70% of initial lumen output (L70)\*\*.
- Beam angle 110°.
- Color rendering index > 90.

\* Default 4000K color temperature and highest lumen output.  
\*\*FPR4 and FPR6 L70=71,000 hours. L70 hours are IES TM-21-11 calculated hours.



### MOUNTING

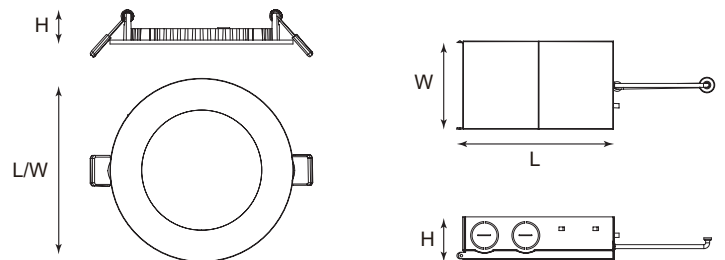
- Recessed ceiling, new construction or retrofit.
- No recessed housing required for installation.
- Access above ceiling required.
- Covered ceiling mount only.

### CODE COMPLIANCE

- cETLus listed for wet locations. Not exceeding 45°C.
- Energy Star certified.
- Complies with FCC part 15, class B.

### WARRANTY

- 5 year warranty on all electronics and housing.



Model #	L (in)	W (in)	H (in)	Weight (lbs)	Junction Box Size (LxWxH inch)
FPR3-4L-KFS	3.62	3.62	0.85	0.44	3.94 x 2.68 x 1.4
FPR4-6L-KFS	4.74	4.74	0.79	0.63	4.73 x 2.77 x 1.34
FPR6-10L-KFS	6.73	6.73	0.79	0.88	4.73 x 2.77 x 1.34
FPR8-14L-KFS	8.82	8.82	0.93	1.10	4.73 x 2.77 x 1.34

### ORDERING INFORMATION

Example: FPR3-4L-KFS

Series	Nominal Lumen Output		Kelvin Selectable
	Series	Nominal Lumen Output	
FPR3	4L	400 lm	KFS 2700 / 3000 / 3500 / 4000 / 5000K
FPR4	6L	600 lm	
FPR6	10L	1000 lm	
FPR8	14L	1,4000 lm	

\* Default 4000K color temperature and highest lumen output.  
\*\*FPR4 and FPR6 L70=71,000 hours. L70 hours are IES TM-21-11 calculated hours.

## ACCESSORIES (ORDER SEPARATELY)

### Mounting Option

MP-UD346-NC\* = Mounting plate for 3", 4", and 6" canless recessed downlights.

MP-UD46810-NC\*\* = Mounting plate for 4", 6", 8" and 10" canless recessed downlights.

\* Not compatible with FPR8-14L-KFS.

\*\* Not compatible with FPR3-4L-KFS.

## LUMEN TABLES

Series	Measurements	Lumens				
		2700K	3000K	3500K	4000K	5000K
FPR3-4L-KFS	Lumens	469	484	489	495	495
	Watts	5.85	5.77	5.74	5.89	5.91
	Efficacy	80.17	83.88	85.19	84.04	83.76

Series	Measurements	Lumens				
		2700K	3000K	3500K	4000K	5000K
FPR4-6L-KFS	Lumens	698	729	746	58	763
	Watts	8.72	8.63	8.42	8.53	8.75
	Efficacy	80.05	84.47	88.60	88.86	87.20

Series	Measurements	Lumens				
		2700K	3000K	3500K	4000K	5000K
FPR6-10L-KFS	Lumens	1180	1267	1316	1330	1278
	Watts	14.32	14.03	13.77	14.06	14.53
	Efficacy	82.40	90.31	95.57	94.59	87.96

Series	Measurements	Lumens				
		2700K	3000K	3500K	4000K	5000K
FPR8-14L-KFS	Lumens	1440	1584	1678	1702	1664
	Watts	17.49	17.11	16.71	16.86	17.46
	Efficacy	82.33	92.58	100.42	100.95	95.30

## Recessed Integrated Module with Floating Gimbal Kelvin Field Selectable

### STANDARDS



### HOUSING

- Premium powder-coat, aluminum, white housing.

### ELECTRICAL

- Operating temperature (ambient): -20°C to 45°C (-4°F to 113°F).
- 120V AC voltage (60Hz) is standard.
- IFG2-4L = 5W, IFG3-5L = 6W, IFG4-7L = 9W, IFG6-12L = 12W
- Adjustable 355° rotation and 90° tilt.
- Triac dimming.
- Input transient surge protection = 1kV.
- Power factor > 0.90.
- Total Harmonic distortion < 20%.

### OPTICAL SYSTEM

- PMMA diffuser.
- Field selectable 2700k(soft white), 3000k(warm white), 3500k(warm/neutral white), 4000k (neutral white) and 5000k (cool white) color temperatures\*.
- IFG2-4L provide a range delivers 377 to 422 nominal lumens\*.
- IFG3-5L provide a range delivers 478 to 552 nominal lumens\*.
- IFG4-7L provide a range delivers 621 to 746 nominal lumens\*.
- IFG6-12L provide a range delivers 858 to 1067 nominal lumens\*.
- IFG2-4L & IFG3-5L have long-life LEDs provide 134,000 hours of operation with at least 70% of initial lumen output (L70), and 41,000 hours with at least 90% of initial lumen output (L90)\*\*.
- IFG4-7L have long-life LEDs provide 120,000 hours of operation with at least 70% of initial lumen output (L70), and 36,000 hours with at least 90% of initial lumen output (L90)\*\*.
- IFG6-12L have long-life LEDs provide 191,000 hours of operation with at least 70% of initial lumen output (L70), and 58,000 hours with at least 90% of initial lumen output (L90)\*\*.
- Beam angle 120°.
- Color rendering index > 90.

\* Factory Default kelvin temperature 4000k

\*\*L70 and L90 hours are IES TM-21-11 calculated hours.



### MOUNTING

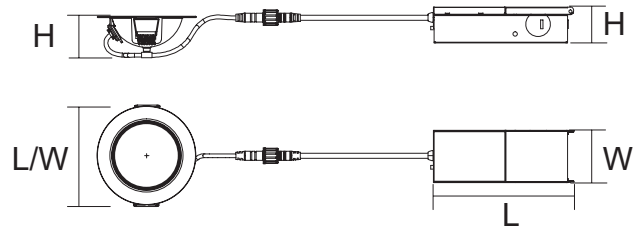
- No existing recessed housing or junction box required.
- Suitable for most new constructions.
- Install J-box in ceiling beam, and insert light right into drywall opening or ceiling panel opening.
- Type IC

### CODE COMPLIANCE

- cETLus listed for wet locations. Not exceeding 45°C(113°F).
- Energy Star certified.
- Complies with FCC part 15, class B.
- Complies with Title 24.

### WARRANTY

- 5 year warranty on all electronics and housing.



Model #	L (in)	W (in)	H (in)	Weight (lbs)	Junction Box Size (LxWxH inch)
IFG2-4L-5CCT	3.50	3.50	1.46	0.55	4.77x 1.84 x 1.26
IFG3-5L-5CCT	3.94	3.94	1.15	0.55	4.15 x 2.66 x 1.36
IFG4-7L-5CCT	4.80	4.80	1.47	0.66	4.15 x 2.66 x 1.36
IFG6-12L-5CCT	6.89	6.89	1.77	0.99	4.15 x 2.66 x 1.36

### ORDERING INFORMATION

Example: IFG2-4L-5CCT

Series	Nominal Lumen Output		Kelvin Selectable	
IFG2	4L	400lm	5CCT	2700 / 3000/ 3500/ 4000/ 5000K
IFG3	5L	500lm		
IFG4	7L	700lm		
IFG6	12L	1200lm		

## ACCESSORIES (ORDER SEPARATELY)

### Mounting Option

MP-UD346-NC\* = Mounting plate for 3", 4" and 6" canless recessed downlights.

\* Not compatible with IFG2-4L-5CCT.

## LUMEN TABLES

Series	Measurements	Lumens				
		2700K	3000K	3500K	4000K	5000K
IFG2-4L-5CCT	Lumens	372	394	416	422	420
	Watts	4.79	4.73	4.64	4.68	4.85
	Efficacy	77.66	83.30	89.66	90.17	86.60

Series	Measurements	Lumens				
		2700K	3000K	3500K	4000K	5000K
IFG3-5L-5CCT	Lumens	478	511	538	549	552
	Watts	5.91	5.81	5.68	5.76	5.98
	Efficacy	80.88	87.95	94.72	95.31	92.31

Series	Measurements	Lumens				
		2700K	3000K	3500K	4000K	5000K
IFG4-7L-5CCT	Lumens	620	662	701	738	745
	Watts	8.44	8.35	8.24	8.27	8.57
	Efficacy	73.46	79.28	85.07	89.24	86.93

Series	Measurements	Lumens				
		2700K	3000K	3500K	4000K	5000K
IFG6-12L-5CCT	Lumens	858	925	1,001	1,049	1,067
	Watts	11.31	11.2	10.98	11.09	11.5
	Efficacy	75.86	82.59	91.17	94.59	92.78

## ELECTRICAL DATA

Series	CCT	Input Amps (A)
		Lumens
IFG2-4L-5CCT		120V
	2700K	0.04
	3000K	0.04
	3500K	0.04
	4000K	0.04
	5000K	0.04

Series	CCT	Input Amps (A)
		Lumens
IFG3-5L-5CCT		120V
	2700K	0.05
	3000K	0.05
	3500K	0.05
	4000K	0.05
	5000K	0.05

Series	CCT	Input Amps (A)
		Lumens
IFG4-7L-5CCT		120V
	2700K	0.07
	3000K	0.07
	3500K	0.07
	4000K	0.07
	5000K	0.07

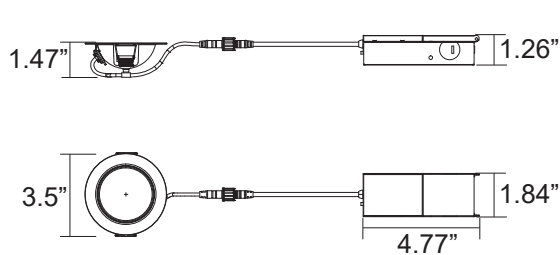
Series	CCT	Input Amps (A)
		Lumens
IFG6-12L-5CCT		120V
	2700K	0.09
	3000K	0.09
	3500K	0.09
	4000K	0.09
	5000K	0.10

## COMPATIBLE DIMMERS AND CONTROLS

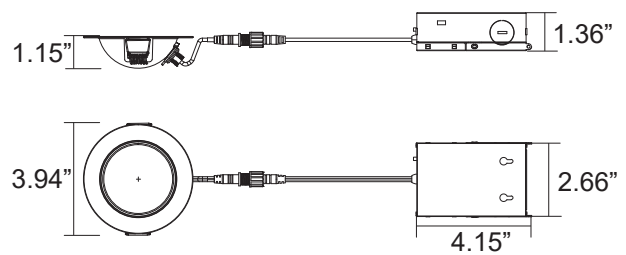
Manufacturer	Model Number		
Lutron	TG-600PR-WH	SLV-600P-AL	DVCL-153P
	S-600PR-WH	DV-600PR-WH	MSCL-OP153M
	CTCL-153PDH-WH	SCL-153PH-WH	PD-6WCL
	TGCL-153PH-LA	GT-600P	MACL-153M//MA-R
Leviton	6672	6674	IPL06
	RNL06	DSL06	-

## DIMENSIONAL DRAWINGS

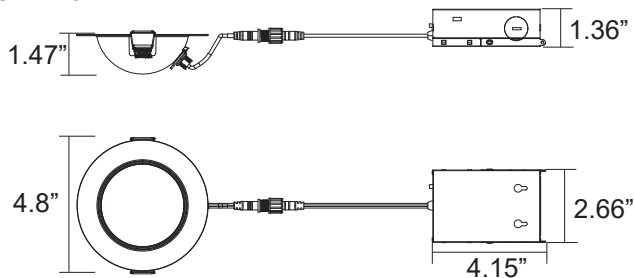
**IFG2-4L-5CCT**



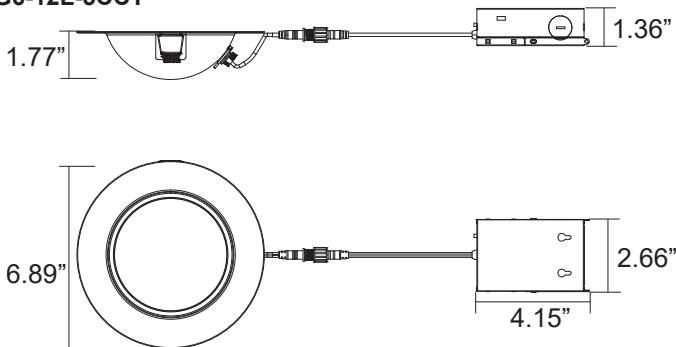
**IFG3-5L-5CCT**



**IFG4-7L-5CCT**



**IFG6-12L-5CCT**



## Recessed Downlight Kelvin Field Selectable

### STANDARDS



### HOUSING

- Premium powder-coat, aluminum, white housing.

### ELECTRICAL

- Operating temperature (ambient): -20°C to 45°C (-4°F to 113°F).
- Universal 120V AC voltage (60Hz) is standard.
- IMODCR4 = 9W
- IMODCR4 = 14W
- Triac dimming.
- Input transient surge protection = 1kV.
- Power factor > 0.90.
- Total Harmonic distortion < 20%.

### OPTICAL SYSTEM

- Polycarbonate diffuser. with white baffle reflector standard.
- Black and Brushed Nickel trim ring accessories available (sold separately)
- Field selectable 2700k(soft white), 3000k(warm white), 3500k(warm/neutral white), 4000k (neutral white) and 5000k (cool white) color temperatures\*.
- Provide a range delivers 700 to 1,400 nominal lumens\*.
- Long-life LEDs provide 139,000 hours of operation with at least 70% of initial lumen output (L70), and 42,000 hours with at least 90% of initial lumen output (L90)\*\*.
- LED color maintenance < 0.0039 chromaticity shift ( $\Delta u'v'$ ) over the initial 6,000 hours of operation.
- Beam angle 100°.
- Color rendering index > 90.

\* Factory Default kelvin temperature 4000k and highest lumen output  
\*\*L70 and L90 hours are IES TM-21-11 calculated hours.



### MOUNTING

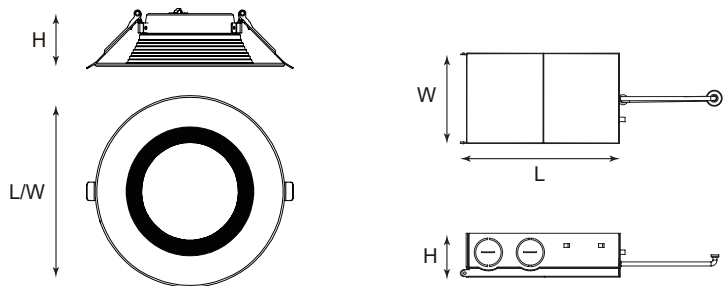
- Recessed in ceiling.
- Suitable for most new constructions. Optional frame plate sold separately. (see Accessories p.2)
- Install J-box in ceiling beam, and insert light right into drywall opening.

### CODE COMPLIANCE

- cETLus listed for wet locations. Not exceeding 45°C(113°F).
- Energy Star certified.
- Complies with FCC part 15, class B.
- Complies with Title 24.

### WARRANTY

- 5 year warranty on all electronics and housing.



Model #	L (in)	W (in)	H (in)	Weight (lbs)	Junction Box Size (LxWxH inch)
IMODCR4-8L-KFS	5.51	5.51	2.03	0.64	4.73 x 2.77 x 1.34
IMODCR6-12L-KFS	7.36	7.36	2.03	0.76	4.73 x 2.77 x 1.34

### ORDERING INFORMATION

Example: IMODCR4-8L-KFS

Series	Nominal Lumen Output		Kelvin Selectable
IMODCR4	8L	800lm	KFS 2700 / 3000 / 3500 / 4000 / 5000K
IMODCR6	12L	1200lm	

## ACCESSORIES (ORDER SEPARATELY)

### Mounting Option:

MP-UD346-NC\* = Mounting plate for 3", 4", and 6" canless recessed downlights.

MP-UD46810-NC\*\* = Mounting plate for 4", 6", 8" and 10" canless recessed downlights.

Series	Measurements	Lumens				
		2700K	3000K	3500K	4000K	5000K
IMODCR4-8L-KFS	Lumens	786	833	876	871	816
	Watts	9.56	9.37	8.95	9.16	9.46
	Efficacy	82.22	88.90	97.88	95.09	86.26

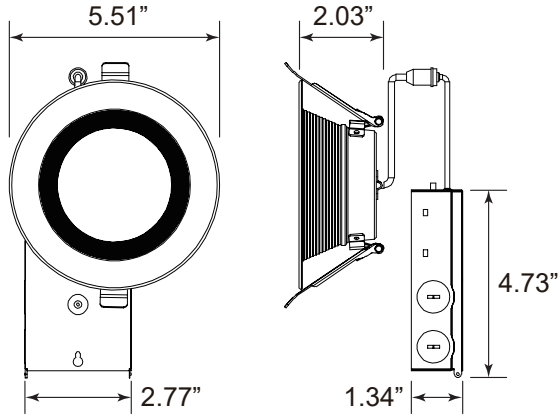
Series	Measurements	Lumens				
		2700K	3000K	3500K	4000K	5000K
IMODCR6-12L-KFS	Lumens	1233	1330	1396	1403	1281
	Watts	14.15	13.90	13.49	13.61	14.44
	Efficacy	87.14	95.68	103.48	103.09	88.71

## COMPATIBLE DIMMERS AND CONTROLS

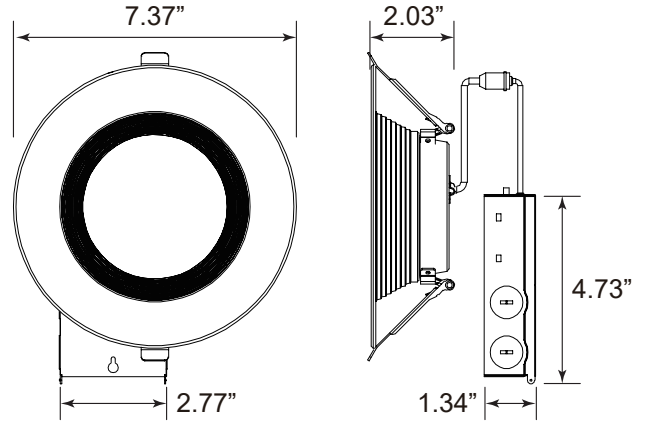
Manufacturer	Model Number		
Lutron	TG-600PR-WH	SLV-600P-AL	DVCL-153P
	S-600PR-WH	DV-600PR-WH	MSCL-OP153M
	CTCL-153PDH-WH	SCL-153PH-WH	PD-6WCL
	TGCL-153PH-LA	GT-600P	MACL-153M//MA-R
Leviton	6672	6674	IPL06
	RNL06	DSL06	-

## DIMENSIONAL DRAWINGS

IMODCR4-8L-KFS



IMODCR6-12L-KFS



## Recessed Integrated Module Kelvin Field Selectable



### STANDARDS



### HOUSING

- Premium powder-coat, aluminum, white housing.

### ELECTRICAL

- Operating temperature (ambient): -20°C to 45°C (-4°F to 113°F).
- Universal 120V AC voltage (60Hz) is standard.
- Triac dimming.
- Input transient surge protection = 1kV.
- Power factor > 0.90.
- Total Harmonic distortion < 20%.

### OPTICAL SYSTEM

- Polycarbonate diffuser.
- Field selectable 2700k(soft white), 3000k(warm white), 3500k(warm/neutral white), 4000k (neutral white) and 5000k (cool white) color temperatures\*.
- Tri-Lumen selectable to provide a range delivers 308 to 663 nominal lumens\*.
- Long-life LEDs provide 134,000 hours of operation with at least 70% of initial lumen output (L70), and 41,000 hours with at least 90% of initial lumen output (L90)\*\*.
- LED color maintenance < -0.0045 chromaticity shift ( $\Delta u'v'$ ) over the initial 6,000 hours of operation.
- Beam angle 100°.
- Color rendering index > 90.

\* Factory Default kelvin temperature 4000k and highest lumen output  
\*\*L70 and L90 hours are IES TM-21-11 calculated hours.

### MOUNTING

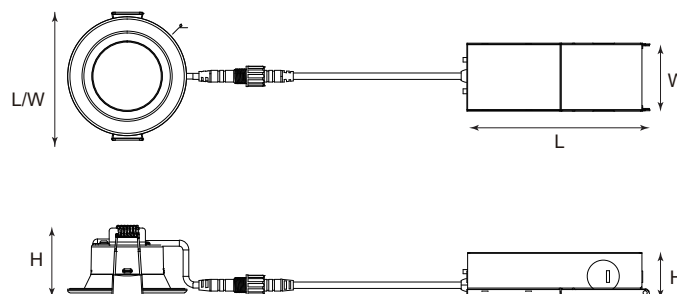
- No existing recessed housing or junction box required.
- Suitable for most new constructions.
- Type IC

### CODE COMPLIANCE

- cETLus listed for wet locations. Not exceeding 45°C(113°F).
- Energy Star certified.
- Complies with FCC part 15, class B.
- Complies with Title 24.

### WARRANTY

- 5 year warranty on all electronics and housing.



Model #	L (in)	W (in)	H (in)	Weight (lbs)	Junction Box Size (LxWxH inch)
IMODCRS2-543L-5CCT	3.23	3.23	1.75	0.55	4.92 x 1.91 x 1.3

### ORDERING INFORMATION

Example: IMODCRS2-543L-5CCT

Series	Nominal Lumen Output		Kelvin Selectable	
IMODCRS2	543L	500 / 400 / 300 lm	5CCT	2700 / 3000 / 3500 / 4000 / 5000K

## LUMEN TABLES

Series	Measurements	Low Lumens					Mid Lumens					High Lumens				
		2700K	3000K	3500K	4000K	5000K	2700K	3000K	3500K	4000K	5000K	2700K	3000K	3500K	4000K	5000K
IMODCRS2-543L-5CCT	Lumens	306	317	326	331	334	455	477	494	502	499	591	625	652	664	644
	Watts	3.93	3.89	3.85	3.9	3.96	5.92	5.85	5.75	5.86	5.99	7.88	7.76	7.6	7.78	7.98
	Efficacy	77.86	81.49	84.68	84.87	84.34	76.86	81.54	85.91	85.67	83.31	75.05	80.59	85.72	85.30	80.73

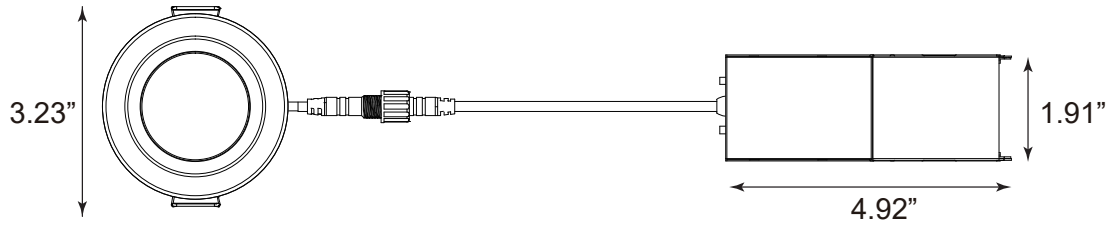
## ELECTRICAL DATA

Series	CCT	Input Amps (A)		Input Amps (A)		Input Amps (A)	
		Low Lumens		Mid Lumens		High Lumens	
		120V		120V		120V	
IMODCRS2-543L-5CCT	2700K	0.03		0.05		0.07	
	3000K	0.03		0.05		0.06	
	3500K	0.03		0.05		0.06	
	4000K	0.03		0.05		0.06	
	5000K	0.03		0.05		0.07	

## COMPATIBLE DIMMERS AND CONTROLS

Manufacturer	Model Number		
Lutron	CTCL-153P	TGCL-153PH-LA	SLV-600P-AL
	DVCL-153P	MSCL-OP153M	PD-6WCL
	S2-LFSQH-WH	CT-103PR-WH	MACL-153MA
	DVWCL-153PH	RCL-153RNL	DVRF-6L
	CTCL-150H	-	-
Leviton	6672	6674	DSL06
	RNL06	IPL06	-

## DIMENSIONAL DRAWINGS



## 4" MODULE - KFS

### STANDARD



### FEATURES

- Field selectable 2700k (soft white), 3000k (warm white), 3500k (warm/neutral white), 4000k (neutral white), and 5000k (cool white) color temperatures.\*
- Long-life LEDs provide at least 70% of initial lumen output ( $L_{70}$ ) for 119,000 hours of operation.\*\*
- Color rendering index ( $R_a$ ) > 90.
- 700 nominal lumens.
- 10 nominal watts.
- 120 AC voltage (60Hz) is standard.
- Power factor > 0.90.
- Triac dimming.
- Aluminum housing.
- Easy installation in new construction or retrofit applications.
- Type IC.
- This device is not intended for use with emergency exits.

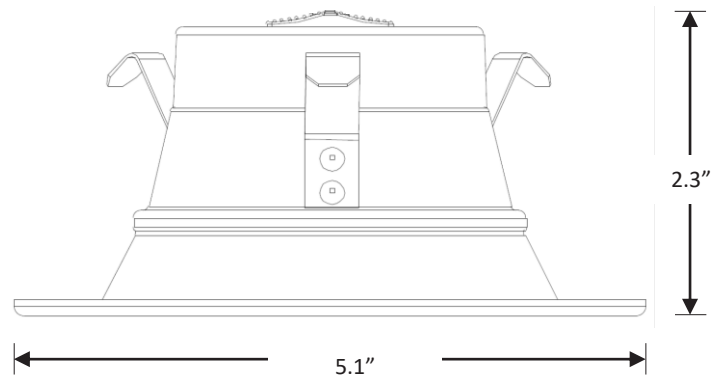
\* Contact factory for other color temperatures and lumen packages.  
 \*\*  $L_{70}$  hours are IES TM-21-11 calculated hours.



### WARRANTY & LISTINGS

- cETLus listed for damp locations.
- Energy Star certified.
- Compatible for new construction and retrofit applications.
- Complies with FCC Part 15, class B.
- Complies with EN61000-4-5 surge protection (0.5kV).
- 5-year warranty of all electronics and housing.

### DIMENSIONS



**Weight: 0.19 lbs.**

### ORDERING INFORMATION

Example: MODR4-7L-KFS

Series	Color Temperature
MODR4-7L-KFS	Selectable CCT
	2700k
	3000k
	3500k
	4000k
	5000k

## 6" MODULE - KFS

### STANDARD



### FEATURES

- Field selectable 2700k (soft white), 3000k (warm white), 3500k (warm/neutral white), 4000k (neutral white), and 5000k (cool white) color temperatures.\*
- Long-life LEDs provide at least 70% of initial lumen output ( $L_{70}$ ) for 119,000 hours of operation.\*\*
- Color rendering index ( $R_a$ ) > 90.
- 1,000 nominal lumens.
- 14 nominal watts.
- 120 AC voltage (60Hz) is standard.
- Power factor > 0.90.
- Triac dimming.
- Aluminum housing.
- Easy installation in new construction or retrofit applications.
- Type IC.
- This device is not intended for use with emergency exits.

\* Contact factory for other color temperatures and lumen packages.  
 \*\*  $L_{70}$  hours are IES TM-21-11 calculated hours.

### ORDERING INFORMATION

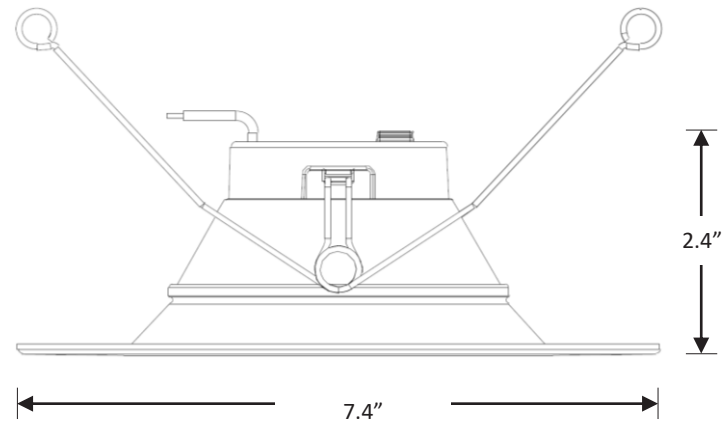
Example: MODR6-10L-KFS



### WARRANTY & LISTINGS

- cETLus listed for damp locations.
- Energy Star certified.
- Compatible for new construction and retrofit applications.
- Complies with FCC Part 15, class B.
- Complies with EN61000-4-5 surge protection (0.5kV).
- 5-year warranty of all electronics and housing.

### DIMENSIONS



Weight: 0.33 lbs.

Series	Color Temperature
MODR6-10L-KFS	Selectable CCT
	2700k
	3000k
	3500k
	4000k
	5000k

## 4" Architectural Round Downlight Lumen & Kelvin Select



### STANDARDS



### HOUSING

- Premium powder-coat, aluminum, white housing.

### ELECTRICAL

- Universal 120-277V AC voltage (50-60Hz) is standard.
- 0-10VDC dimming drivers are standard.
- 21.65" flexible metal conduit with additional 6" of conductor is standard.
- Input transient surge protection = 1kV.
- Type IC.
- Power factor > 0.90.
- Total Harmonic distortion < 20%.

### OPTICAL SYSTEM

- Polycarbonate diffuser.
- Field selectable 2700k(soft white), 3000k(warm white), 3500k(warm/neutral white), 4000k (neutral white) and 5000k (cool white) color temperatures\*.
- Tri-Lumen selectable delivers 600 to 1,100 nominal lumens\*.
- Long-life LEDs provide 149,000 hours of operation with at least 70% of initial lumen output (L70), and 44,000 hours with at least 90% of initial lumen output (L90)\*\*.
- LED color maintenance < -0.0114 chromaticity shift ( $\Delta u'v'$ ) over the initial 6,000 hours of operation.
- Beam angle 90°.
- Color rendering index > 90.

\* Factory Default kelvin temperature 4000k and highest lumen output  
 \*\*L70 & L90 hours are IES TM-21-11 calculated hours.

### MOUNTING

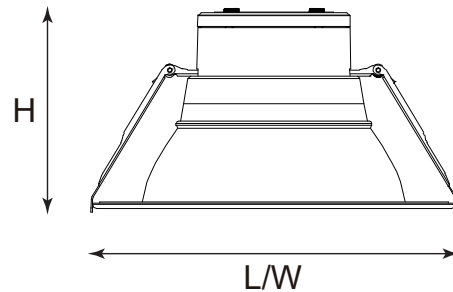
- Recessed in ceiling, new construction or retrofit.
- Access above ceiling required.
- Covered ceiling mount only.
- Compatible with 4.35" ceiling cut-outs and 4" mounting frames.

### CODE COMPLIANCE

- cETLus listed for wet locations.
- Energy Star certified.
- Complies with FCC part 15, class B.
- Complies with Title 24.

### WARRANTY

- 5 year warranty on all electronics and housing.



Model #	L (in)	W (in)	H (in)	Weight (lbs)	Cut Out (in)
CDR4-1L-LKFS-WHT	5.12	5.12	3.2	0.69	4.35
CDR4-1L-LKFS-SW	5.12	5.12	3.2	0.66	4.35

### ORDERING INFORMATION

Example: CDR4-1L-LKFS-WHT

Series	Nominal Lumen Output (Selectable)	Kelvin Selectable	Baffle Type
CDR4	1L 1100/ 900/ 600lm	LKFS 2700 / 3000/ 3500/ 4000/ 5000K	WHT Baffled Whit SW Specular White

## ACCESSORIES (ORDER SEPARATELY)

### Mounting Option

MP-UD46810-NC = Mounting plate for 4", 6", 8" and 10" canless recessed downlights.

### Trim Rings

CDR4-TR-BK = TRIM RING, 4", FOR USE EXCLUSIVELY WITH CDR4-1L-LKFS, BLACK, BAFFLE REFLECTOR

## LUMEN TABLES

Series	Measurements	Low Lumens					Mid Lumens					High Lumens				
		2700K	3000K	3500K	4000K	5000K	2700K	3000K	3500K	4000K	5000K	2700K	3000K	3500K	4000K	5000K
CDR4-1L-LKFS-WHT	Lumens	542	560	580	593	609	793	823	856	877	892	1015	1058	1106	1135	1143
	Watts	5.83	5.78	5.73	5.74	5.83	8.78	8.69	8.57	8.58	8.72	11.60	11.50	11.30	11.30	11.60
	Efficacy	93.03	96.82	101.26	103.38	104.54	90.28	94.73	99.83	102.17	102.26	87.53	91.96	97.90	100.44	98.50

Series	Measurements	Low Lumens					Mid Lumens					High Lumens				
		2700K	3000K	3500K	4000K	5000K	2700K	3000K	3500K	4000K	5000K	2700K	3000K	3500K	4000K	5000K
CDR4-1L-LKFS-SW	Lumens	531	547	565	578	593	782	810	841	862	875	1013	1055	1103	1136	1155
	Watts	5.63	5.59	5.53	5.53	5.60	8.51	8.42	8.31	8.32	8.46	11.40	11.20	11.10	11.20	11.40
	Efficacy	94.33	97.86	102.25	104.53	105.86	91.89	96.23	101.19	103.58	103.47	88.89	94.18	99.36	101.46	101.27

## ELECTRICAL DATA

Series	CCT	Input Amps (A)								
		Low Lumens			Mid Lumens			High Lumens		
		120V	240V	277V	120V	240V	277V	120V	240V	277V
CDR4-1L-LKFS-WHT	2700K	0.05	0.02	0.02	0.07	0.04	0.03	0.10	0.05	0.04
	3000K	0.05	0.02	0.02	0.07	0.04	0.03	0.10	0.05	0.04
	3500K	0.05	0.02	0.02	0.07	0.04	0.03	0.09	0.05	0.04
	4000K	0.05	0.02	0.02	0.07	0.04	0.03	0.09	0.05	0.04
	5000K	0.05	0.02	0.02	0.07	0.04	0.03	0.10	0.05	0.04

Series	CCT	Input Amps (A)								
		Low Lumens			Mid Lumens			High Lumens		
		120V	240V	277V	120V	240V	277V	120V	240V	277V
CDR4-1L-LKFS-SW	2700K	0.05	0.02	0.02	0.07	0.04	0.03	0.10	0.05	0.04
	3000K	0.05	0.02	0.02	0.07	0.04	0.03	0.10	0.05	0.04
	3500K	0.05	0.02	0.02	0.07	0.03	0.03	0.09	0.05	0.04
	4000K	0.05	0.02	0.02	0.07	0.03	0.03	0.09	0.05	0.04
	5000K	0.05	0.02	0.02	0.07	0.04	0.03	0.10	0.05	0.04

## PHOTOMETRICS

### CDR4-1L-LKFS-WHT

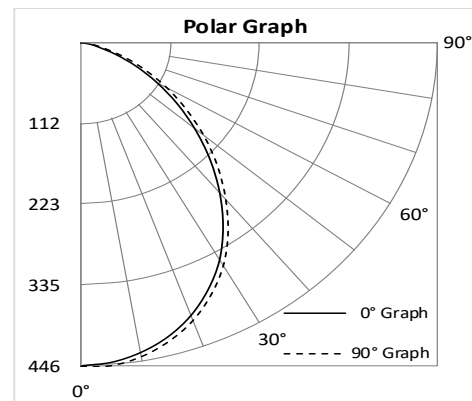
#### Luminaire Data

Description	Commercial Downlight Lumen/Kelvin Selectable
Total Lumens	967
Input Wattage	11
Efficacy (lm/W)	85
Spacing Criterion (0-180°)	1.18
Spacing Criterion (90-270°)	1.2

Photometrics calculated at 2700k - high lumens setting

#### Zonal Lumen Summary

Zone	Lumens	%Fixt
0-20°	161	16.6%
0-30°	335	34.6%
0-40°	530	54.8%
20-50°	548	56.7%
40-70°	396	41.0%
0-60°	845	87.4%
0-80°	958	99.1%
0-90°	966	99.9%
90-180°	1	0.1%
0-180°	967	100.0%



### CDR4-1L-LKFS-SW

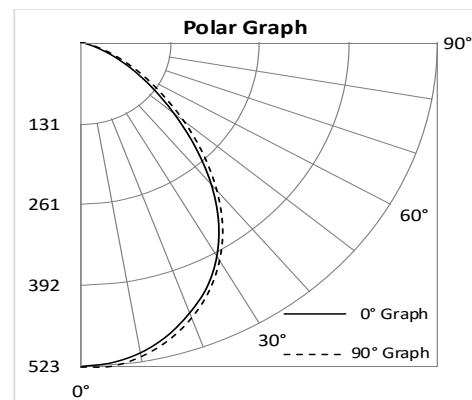
#### Luminaire Data

Description	Commercial Downlight Lumen/Kelvin Selectable
Total Lumens	988
Input Wattage	11
Efficacy (lm/W)	87
Spacing Criterion (0-180°)	1.16
Spacing Criterion (90-270°)	1.18

Photometrics calculated at 2700k - high lumens setting

#### Zonal Lumen Summary

Zone	Lumens	%Fixt
0-20°	187	18.9%
0-30°	387	39.2%
0-40°	607	61.4%
20-50°	607	61.4%
40-70°	368	37.2%
0-60°	916	92.7%
0-80°	987	99.9%
0-90°	987	99.9%
90-180°	1	0.1%
0-180°	988	100.0%



## COMPATIBLE DIMMERS AND CONTROLS

Manufacturer	Model Number			
Lutron	RMJS-8T-DV-B	Diva DVSTV	MS-Z101-WH	DVSTV-WH
Legrand	RH4FBL3PW	-	-	-

## 6" Architectural Round Downlight Lumen & Kelvin Selectable



### STANDARDS



### HOUSING

- Premium powder-coat, aluminum, white housing.

### ELECTRICAL

- Universal 120-277V AC voltage (50-60Hz) is standard.
- 0-10VDC dimming drivers are standard.
- 21.65" flexible metal conduit with additional 6" of conductor is standard.
- Input transient surge protection = 1kV.
- Type IC.
- Power factor > 0.90.
- Total Harmonic distortion < 20%.

### OPTICAL SYSTEM

- Polycarbonate diffuser.
- Field selectable 2700k(soft white), 3000k(warm white), 3500k(warm/neutral white), 4000k (neutral white) and 5000k (cool white) color temperatures\*.
- Tri-Lumen selectable delivers 1,000 to 2,000 nominal lumens\*.
- Long-life LEDs provide 149,000 hours of operation with at least 70% of initial lumen output (L70), and 44,000 hours with at least 90% of initial lumen output (L90)\*\*.
- LED color maintenance < -0.0039 chromaticity shift ( $\Delta u'v'$ ) over the initial 6,000 hours of operation.
- Beam angle 90° for CDR6-2L-LKFS-WHT.
- Beam angle 65° for CDR6-2L-LKFS-SW.
- Color rendering index > 90.

\* Factory Default kelvin temperature 4000k and highest lumen output  
 \*\*L70 & L90 hours are IES TM-21-11 calculated hours.

### MOUNTING

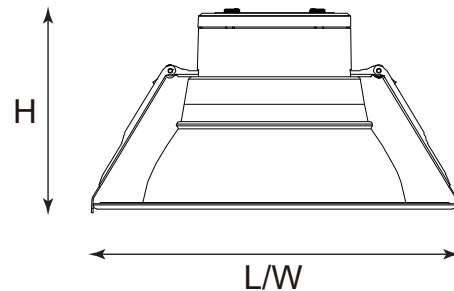
- Recessed in ceiling, new construction or retrofit.
- Access above ceiling required.
- Covered ceiling mount only.
- Compatible with 6.30" ceiling cut-outs and 6" mounting frames.

### CODE COMPLIANCE

- cETLus listed for wet location.
- Energy Star certified.
- Complies with FCC part 15, class B.
- Complies with Title 24.

### WARRANTY

- 5 year warranty on all electronics and housing.



Model #	L (in)	W (in)	H (in)	Weight (lbs)	Cut Out (in)
CDR6-2L-LKFS-WHT	8.43	8.43	4.16	1.37	6.30
CDR6-2L-LKFS-SW	8.27	8.27	4.36	1.05	6.30

### ORDERING INFORMATION

Example: CDR6-2L-LKFS-SW

Series	Nominal Lumen Output (Selectable)	Kelvin (Selectable)	Baffle Type
CDR6	2L 2000/ 1500/ 1000lm	LKFS 2700 / 3000/ 3500/ 4000/ 5000K	WHT Baffled White SW Specular White

## ACCESSORIES (ORDER SEPARATELY)

### Mounting Option

BL6CLEL-ND = Mounting Frame for use with CDR6-2L-LKFS-WHT and CDR6-2L-LKFS-SW.

MP-UD46810-NC = Mounting plate for 4", 6", 8" and 10" canless recessed downlights.

### Trim Rings

CDR6-TR-BK = TRIM RING, 6", FOR USE EXCLUSIVELY WITH CDR6-2L-LKFS, BLACK, BAFFLE REFLECTOR

## LUMEN TABLES

Series	Measurements	Low Lumens					Mid Lumens					High Lumens				
		2700K	3000K	3500K	4000K	5000K	2700K	3000K	3500K	4000K	5000K	2700K	3000K	3500K	4000K	5000K
CDR6-2L-LKFS-WHT	Lumens	1182	1196	1250	1201	1212	1536	1605	1682	1743	1741	1848	1937	2084	2092	2097
	Watts	11.95	11.80	11.60	11.62	11.88	16.54	16.29	15.98	16.01	16.43	20.66	20.38	19.92	19.95	20.54
	Efficacy	98.94	101.36	107.73	103.33	102.01	92.89	98.53	105.26	108.88	105.96	89.43	95.04	104.60	104.86	102.07

Series	Measurements	Low Lumens					Mid Lumens					High Lumens				
		2700K	3000K	3500K	4000K	5000K	2700K	3000K	3500K	4000K	5000K	2700K	3000K	3500K	4000K	5000K
CDR6-2L-LKFS-SW	Lumens	962	991	1022	1039	1057	1325	1372	1420	1448	1460	1738	1811	1880	1921	1936
	Watts	10.20	10.10	9.97	10.00	10.10	14.00	13.80	13.60	13.60	13.90	18.80	15.50	18.20	18.20	18.70
	Efficacy	94.33	98.07	102.50	103.90	104.69	94.64	99.41	104.39	106.47	105.01	92.45	116.86	103.28	105.53	103.51

## ELECTRICAL DATA

Series	CCT	Input Amps (A)								
		Low Lumens			Mid Lumens			High Lumens		
		120V	240V	277V	120V	240V	277V	120V	240V	277V
CDR6-2L-LKFS-WHT	2700K	0.10	0.05	0.04	0.14	0.07	0.09	0.17	0.09	0.07
	3000K	0.10	0.05	0.04	0.14	0.07	0.09	0.17	0.08	0.07
	3500K	0.10	0.05	0.04	0.13	0.07	0.09	0.17	0.08	0.07
	4000K	0.10	0.05	0.04	0.13	0.07	0.09	0.17	0.08	0.07
	5000K	0.10	0.05	0.04	0.14	0.07	0.09	0.17	0.09	0.07

Series	CCT	Input Amps (A)								
		Low Lumens			Mid Lumens			High Lumens		
		120V	240V	277V	120V	240V	277V	120V	240V	277V
CDR6-2L-LKFS-SW	2700K	0.09	0.04	0.04	0.12	0.06	0.05	0.16	0.08	0.07
	3000K	0.08	0.04	0.04	0.12	0.06	0.05	0.13	0.08	0.06
	3500K	0.08	0.04	0.04	0.11	0.06	0.05	0.15	0.08	0.07
	4000K	0.08	0.04	0.04	0.11	0.06	0.05	0.15	0.08	0.07
	5000K	0.08	0.04	0.04	0.12	0.06	0.05	0.16	0.08	0.07

## PHOTOMETRICS

### CDR6-2L-LKFS-WHT

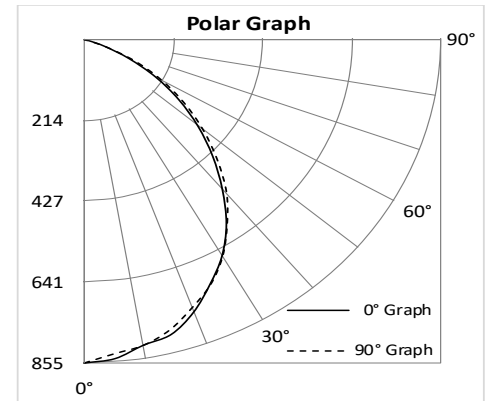
#### Luminaire Data

Description	Commercial Downlight Lumen/Kelvin Selectable
Total Lumens	1,790
Input Wattage	21
Efficacy (lm/W)	85
Spacing Criterion (0-180°)	1.16
Spacing Criterion (90-270°)	1.16

Photometrics calculated at  
2700k - high lumens  
setting

#### Zonal Lumen Summary

Zone	Lumens	%Fixt
0-20°	307	17.1%
0-30°	639	35.7%
0-40°	1,015	56.7%
20-50°	1,059	59.2%
40-70°	754	42.1%
0-60°	1,632	91.2%
0-80°	1,790	100.0%
0-90°	1,790	100.0%
90-180°	0	0.0%
0-180°	1,790	100.0%



### CDR6-2L-LKFS-SW

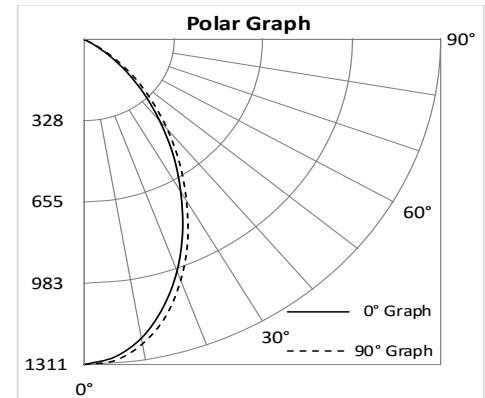
#### Luminaire Data

Description	Commercial Downlight Lumen/Kelvin Selectable
Total Lumens	1,595
Input Wattage	18
Efficacy (lm/W)	87
Spacing Criterion (0-180°)	0.92
Spacing Criterion (90-270°)	0.96

Photometrics calculated at  
2700k - high lumens  
setting

#### Zonal Lumen Summary

Zone	Lumens	%Fixt
0-20°	437	27.4%
0-30°	835	52.4%
0-40°	1,199	75.2%
20-50°	1,017	63.8%
40-70°	392	24.6%
0-60°	1,572	98.6%
0-80°	1,593	99.9%
0-90°	1,593	99.9%
90-180°	2	0.1%
0-180°	1,595	100.0%



## COMPATIBLE DIMMERS AND CONTROLS

Manufacturer	Model Number			
Lutron	RMJS-8T-DV-B	Diva DVSTV	MS-Z101-WH	DVSTV-WH
Legrand	RH4FBL3PW	-	-	-

## 8" Architectural Round Downlight Lumen & Kelvin Selectable



### STANDARDS



### HOUSING

- Premium powder-coat, aluminum, white housing.

### ELECTRICAL

- Universal 120-277V AC voltage (50-60Hz) is standard.
- 0-10VDC dimming drivers are standard.
- 21.65" flexible metal conduit with additional 6" of conductor is standard.
- Input transient surge protection = 1kV.
- Type IC.
- Power factor > 0.90.
- Total Harmonic distortion < 20%.

### OPTICAL SYSTEM

- Polycarbonate diffuser.
- Field selectable 2700k(soft white), 3000k(warm white), 3500k(warm/neutral white), 4000k (neutral white) and 5000k (cool white) color temperatures\*.
- Tri-Lumen selectable delivers 3,000 to 5,000 nominal lumens\*.
- Long-life LEDs provide 149,000 hours of operation with at least 70% of initial lumen output (L70), and 44,000 hours with at least 90% of initial lumen output (L90)\*\*.
- LED color maintenance < -0.0114 chromaticity shift ( $\Delta u'v'$ ) over the initial 6,000 hours of operation.
- Beam angle 100° for CDR8-5L-LKFS-WHT.
- Beam angle 70° for CDR8-5L-LKFS-SW.
- Color rendering index > 90.

\* Factory Default kelvin temperature 4000k and highest lumen output  
 \*\*L70 & L90 hours are IES TM-21-11 calculated hours.

### MOUNTING

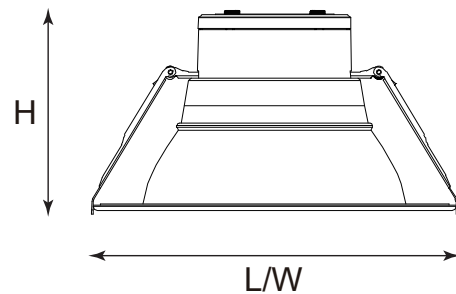
- Recessed in ceiling, new construction or retrofit.
- Access above ceiling required.
- Covered ceiling mount only.
- Compatible with 8.08" ceiling cut-outs and 8" mounting frames.

### CODE COMPLIANCE

- cETLus listed for wet locations.
- Energy Star certified.
- Complies with FCC part 15, class B.
- Complies with Title 24.

### WARRANTY

- 5 year warranty on all electronics and housing.



Model #	L (in)	W (in)	H (in)	Weight (lbs)	Cut Out (in)
CDR8-5L-LKFS-WHT	10.04	10.04	5.41	1.46	8.08
CDR8-5L-LKFS-SW	10.04	10.04	5.41	1.77	8.08

### ORDERING INFORMATION

Example: CDR8-5L-LKFS-SW

Series	Nominal Lumen Output (Selectable)	Kelvin (Selectable)	Baffle Type
CDR8	5L 5000/ 4000/ 3000lm	LKFS 2700 / 3000/ 3500/ 4000/ 5000K	WHT Baffled White SW Specular White

## ACCESSORIES (ORDER SEPARATELY)

### Mounting Options

- BL8CLED-ND = Mounting Frame for use with CDR8
- MP-UD46810-NC = Mounting plate for 4", 6", 8" and 10" can-less recessed down lights.

### Trim Rings

- CDR8-TR-BK = TRIM RING, 8", FOR USE EXCLUSIVELY WITH CDR8-5L-LKFS, BLACK, BAFFLE REFLECTOR

### Remote Mount EM Drivers

- BLEM-INDRV-HV40W = 40W Emergency Driver

## LUMEN TABLES

Series	Measurements	Low Lumens					Mid Lumens					High Lumens				
		2700K	3000K	3500K	4000K	5000K	2700K	3000K	3500K	4000K	5000K	2700K	3000K	3500K	4000K	5000K
CDR8-5L-LKFS-WHT	Lumens	2904	2979	3188	3321	3362	3649	3811	4048	4209	4291	4108	4368	4638	4759	4712
	Watts	32.38	32.13	31.62	31.77	32.86	42.54	42.14	41.30	41.52	43.17	49.25	48.76	47.66	47.97	50.03
	Efficacy	89.68	92.73	100.83	104.52	102.32	85.77	90.44	98.02	101.37	99.39	83.42	89.59	97.32	99.22	94.18

Series	Measurements	Low Lumens					Mid Lumens					High Lumens				
		2700K	3000K	3500K	4000K	5000K	2700K	3000K	3500K	4000K	5000K	2700K	3000K	3500K	4000K	5000K
CDR8-5L-LKFS-SW	Lumens	2829	2881	2933	2955	2981	3617	3679	3698	3837	3754	4064	4260	4555	4723	4629
	Watts	31.60	31.30	30.70	30.80	31.60	41.60	41.20	40.30	40.40	41.70	48.30	47.80	46.70	46.80	48.70
	Efficacy	89.54	92.03	95.55	95.93	94.32	86.96	89.29	91.76	94.98	90.03	84.15	89.13	97.54	100.93	95.05

## ELECTRICAL DATA

Series	CCT	Input Amps (A)								
		Low Lumens			Mid Lumens			High Lumens		
		120V	240V	277V	120V	240V	277V	120V	240V	277V
CDR8-5L-LKFS-WHT	2700K	0.27	0.13	0.12	0.35	0.18	0.15	0.41	0.21	0.18
	3000K	0.27	0.13	0.12	0.35	0.18	0.15	0.41	0.20	0.18
	3500K	0.26	0.13	0.11	0.34	0.17	0.15	0.40	0.20	0.17
	4000K	0.26	0.13	0.11	0.35	0.17	0.15	0.40	0.20	0.17
	5000K	0.27	0.14	0.12	0.36	0.18	0.16	0.42	0.21	0.18

Series	CCT	Input Amps (A)								
		Low Lumens			Mid Lumens			High Lumens		
		120V	240V	277V	120V	240V	277V	120V	240V	277V
CDR8-5L-LKFS-SW	2700K	0.26	0.13	0.11	0.35	0.17	0.15	0.40	0.20	0.17
	3000K	0.26	0.13	0.11	0.34	0.17	0.15	0.40	0.20	0.17
	3500K	0.26	0.13	0.11	0.34	0.17	0.15	0.39	0.19	0.17
	4000K	0.26	0.13	0.11	0.34	0.17	0.15	0.39	0.20	0.17
	5000K	0.26	0.13	0.11	0.35	0.17	0.15	0.41	0.20	0.18

## PHOTOMETRICS

### CDR8-5L-LKFS-WHT

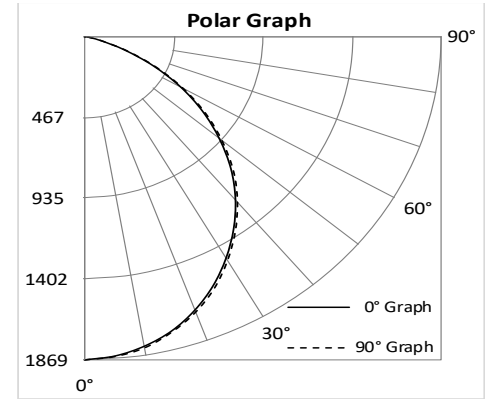
#### Luminaire Data

Description	Commercial Downlight Lumen/Kelvin Selectable
Total Lumens	4,369
Input Wattage	51
Efficacy (lm/W)	85
Spacing Criterion (0-180°)	1.2
Spacing Criterion (90-270°)	1.2

Photometrics calculated at  
2700k - high lumens  
setting

#### Zonal Lumen Summary

Zone	Lumens	%Fixt
0-20°	675	15.5%
0-30°	1,413	32.3%
0-40°	2,273	52.0%
20-50°	2,447	56.0%
40-70°	1,951	44.7%
0-60°	3,813	87.3%
0-80°	4,350	99.6%
0-90°	4,369	100.0%
90-180°	0	0.0%
0-180°	4,369	100.0%



### CDR8-5L-LKFS-SW

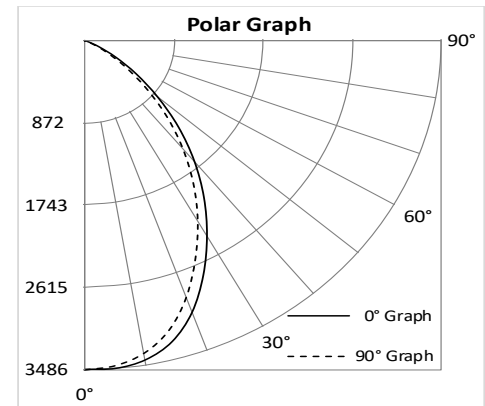
#### Luminaire Data

Description	Commercial Downlight Lumen/Kelvin Selectable
Total Lumens	4,906
Input Wattage	50
Efficacy (lm/W)	98
Spacing Criterion (0-180°)	1.08
Spacing Criterion (90-270°)	1.02

Photometrics calculated at  
2700k - high lumens  
setting

#### Zonal Lumen Summary

Zone	Lumens	%Fixt
0-20°	1,213	24.7%
0-30°	2,379	48.5%
0-40°	3,517	71.7%
20-50°	3,152	64.3%
40-70°	1,380	28.1%
0-60°	4,793	97.7%
0-80°	4,904	100.0%
0-90°	4,906	100.0%
90-180°	0	0.0%
0-180°	4,906	100.0%



## COMPATIBLE DIMMERS AND CONTROLS

Manufacturer	Model Number			
Lutron	RMJS-8T-DV-B	Diva DVSTV	MS-Z101-WH	DVSTV-WH
Legrand	RH4FBL3PW	-	-	-

## 10" Architectural Round Downlight Lumen & Kelvin Selectable



### STANDARDS



### HOUSING

- Premium powder-coat, aluminum, white housing.

### ELECTRICAL

- Universal 120-277V AC voltage (50-60Hz) is standard.
- 0-10VDC dimming drivers are standard.
- 21.65" flexible metal conduit with additional 6" of conductor is standard.
- Input transient surge protection = 1kV.
- Type IC.
- Power factor > 0.90.
- Total Harmonic distortion < 20%.

### OPTICAL SYSTEM

- Polycarbonate diffuser.
- Field selectable 2700k(soft white), 3000k(warm white), 3500k(warm/neutral white), 4000k (neutral white) and 5000k (cool white) color temperatures\*.
- Tri-Lumen selectable delivers 3,000 to 5,000 nominal lumens\*.
- Long-life LEDs provide 149,000 hours of operation with at least 70% of initial lumen output (L70), and 44,000 hours with at least 90% of initial lumen output (L90)\*\*.
- LED color maintenance < -0.0047 chromaticity shift ( $\Delta u'v'$ ) over the initial 6,000 hours of operation.
- Beam angle 65°.
- Color rendering index > 90.

\* Factory Default kelvin temperature 4000k and highest lumen output

\*\*L70 & L90 hours are IES TM-21-11 calculated hours.

### MOUNTING

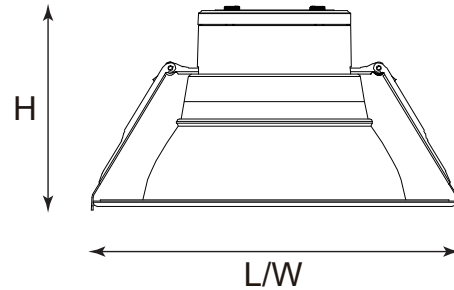
- Recessed in ceiling, new construction or retrofit.
- Access above ceiling required.
- Covered ceiling mount only.
- Compatible with 8.97" ceiling cut-outs and 10" mounting frames.

### CODE COMPLIANCE

- cETLus listed for wet locations.
- Energy Star certified.
- Complies with FCC part 15, class B.
- Complies with Title 24.

### WARRANTY

- 5 year warranty on all electronics and housing.



Model #	L (in)	W (in)	H (in)	Weight (lbs)	Cut Out (in)
CDR10-5L-LKFS-SW	11.4	11.4	6.01	2.43	8.97"

### ORDERING INFORMATION

Example: CDR10-5L-LKFS-SW

Series	Nominal Lumen Output (Selectable)	Kelvin (Selectable)	Baffle Type
CDR10	5L 5000/ 4000/ 3000lm	LKFS 2700 / 3000/ 3500/ 4000/ 5000K	SW Specular White

## ACCESSORIES (ORDER SEPARATELY)

### Mounting Option:

MP-UD46810-NC = Mounting plate for 4", 6", 8" and 10" canless recessed downlights.

### Remote Mount EM Drivers

BLEM-INDRV-HV40W = 40W Emergency Driver

## LUMEN TABLES

Series	Measurements	Low Lumens					Mid Lumens					High Lumens				
		2700K	3000K	3500K	4000K	5000K	2700K	3000K	3500K	4000K	5000K	2700K	3000K	3500K	4000K	5000K
CDR10-5L-LKFS-SW	Lumens	2893	2876	2862	2947	2931	3660	3701	3621	3710	3826	4227	4616	4677	4797	4737
	Watts	31.80	31.50	30.90	30.90	31.80	41.60	52.20	40.30	40.40	41.70	48.30	47.80	46.70	46.80	48.70
	Efficacy	90.98	91.29	92.61	95.37	92.16	87.97	70.90	89.85	91.83	91.74	87.51	96.56	100.15	102.37	97.26

## ELECTRICAL DATA

Series	CCT	Input Amps (A)								
		Low Lumens			Mid Lumens			High Lumens		
		120V	240V	277V	120V	240V	277V	120V	240V	277V
CDR10-5L-LKFS-SW	2700K	0.27	0.13	0.11	0.35	0.17	0.15	0.40	0.20	0.17
	3000K	0.26	0.13	0.11	0.44	0.22	0.19	0.40	0.20	0.17
	3500K	0.26	0.13	0.11	0.34	0.17	0.15	0.39	0.19	0.17
	4000K	0.26	0.13	0.11	0.34	0.17	0.15	0.39	0.20	0.17
	5000K	0.27	0.13	0.11	0.35	0.17	0.15	0.41	0.20	0.18

## COMPATIBLE DIMMERS AND CONTROLS

Manufacturer	Model Number			
Lutron	RMJS-8T-DV-B	Diva DVSTV	MS-Z101-WH	DVSTV-WH
Legrand	RH4FBL3PW	-	-	-

## PHOTOMETRICS

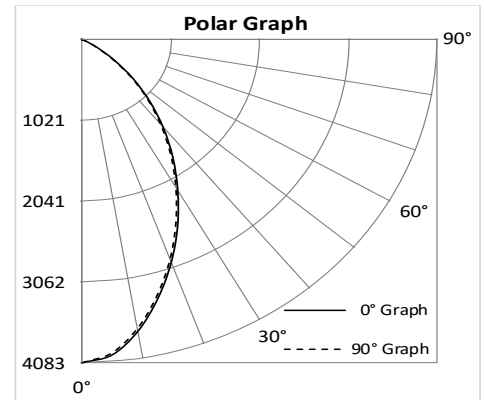
### CDR10-5L-LKFS-SW

#### Luminaire Data

Description	Commercial Downlight Lumen/Kelvin Selectable
Total Lumens	4,887
Input Wattage	49
Efficacy (lm/W)	100
Spacing Criterion (0-180°)	0.9
Spacing Criterion (90-270°)	0.88
Photometrics calculated at 2700k - high lumens setting	

#### Zonal Lumen Summary

Zone	Lumens	%Fixt
0-20°	1,306	26.7%
0-30°	2,479	50.7%
0-40°	3,591	73.5%
20-50°	3,110	63.6%
40-70°	1,291	26.4%
0-60°	4,809	98.4%
0-80°	4,886	100.0%
0-90°	4,887	100.0%
90-180°	0	0.0%
0-180°	4,887	100.0%



## 4" LED Dedicated Cans

### STANDARD



### FEATURES

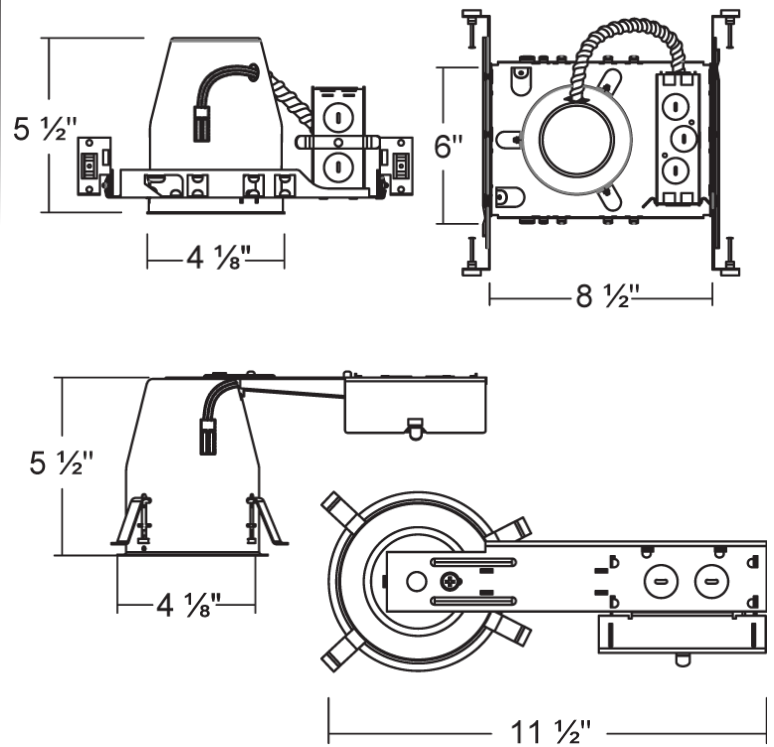
- Dedicated housings for most 4" LED trims (compatible with BRK-LED4-BW, BRK-LED4-BW-V2, and BRK-LED4-GR series).
- Suitable for new construction or remodel applications.
- Galvanized steel construction.
- New construction model comes standard with nail for easy install.
- Bar hangers for use with new construction models are adjustable from 13.6" to 25".
- Remodel cans install into existing material with no above ceiling access required.
- Through branch wiring with maximum 6 No. AWG conductors.
- Remodel cans come standard with four torsion clips to secure housing – accommodates 0.5" and 0.6" ceilings.
- Features seven ½" NPT knockouts.
- 2-pin quick connector.
- This device is not intended for use with emergency exits.

### WARRANTY & LISTINGS

- cULus listed for damp locations.
- cULus listed for through-branch wiring.
- Title 24 compliant.
- Certified under ASTM-E283 for air-tight construction.
- 5-year warranty of all electronics and housing.



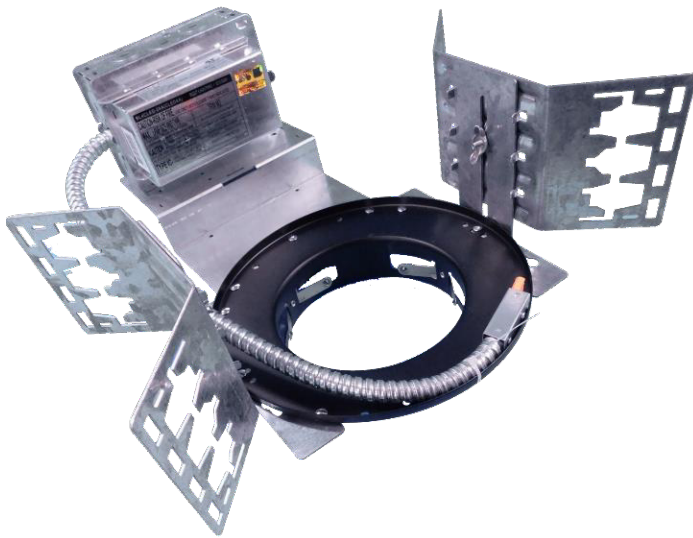
### DIMENSIONS



### ORDERING INFORMATION

MODEL	DESCRIPTION
BL4ICLED-NND	4" IC LED DEDICATED CAN FOR NEW CONSTRUCTION
BL4ICLED-RND	4" IC LED DEDICATED CAN FOR REMODEL APPLICATIONS

## FRAMES



## FEATURES

- Flat bar hangers available for ceiling grid mounting (order separately).
- Junction box is mounted on frame for easy wiring and driver access.
- Integral heat sink for heat disbursement.
- Tapered aluminum reflector with frosted lens.
- Input voltage = 120-277V (50-60Hz).
- Wattage = 21W (3000k) or 28W (4000k)
- 0-10V dimming.

## TRIMS



## FEATURES

- Available in 3000k (warm white) and 4000k (neutral white) color temperatures.\*
- Long-life LEDs provide at least 70% of initial lumen output ( $L_{70}$ ) for 50,000 hours of operation.\*\*
- Provides up to 1,940 nominal lumens.
- Color rendering index ( $R_a$ ) > 80.

\* Contact factory for other color temperatures and lumen packages.  
 \*\*  $L_{70}$  hours are IES TM-21-11 calculated hours.

## WARRANTY & LISTINGS

- cULus listed for damp and wet locations.
- Energy Star qualified.
- Title 24 compliant.
- Complies with RoHS (Restriction on Hazardous Substances) requirements.
- 5-year warranty of all electronics and housing.

## STANDARD



## ORDERING INFORMATION - Frames

MODEL	DESCRIPTION
BL4CLED-21A	4" FRAME, 21 WATTS, FOR USE WITH BL4TCLD-21HZ-3K
BL4CLED-28A	4" FRAME, 28 WATTS, FOR USE WITH BL4TCLD-28HZ-3K

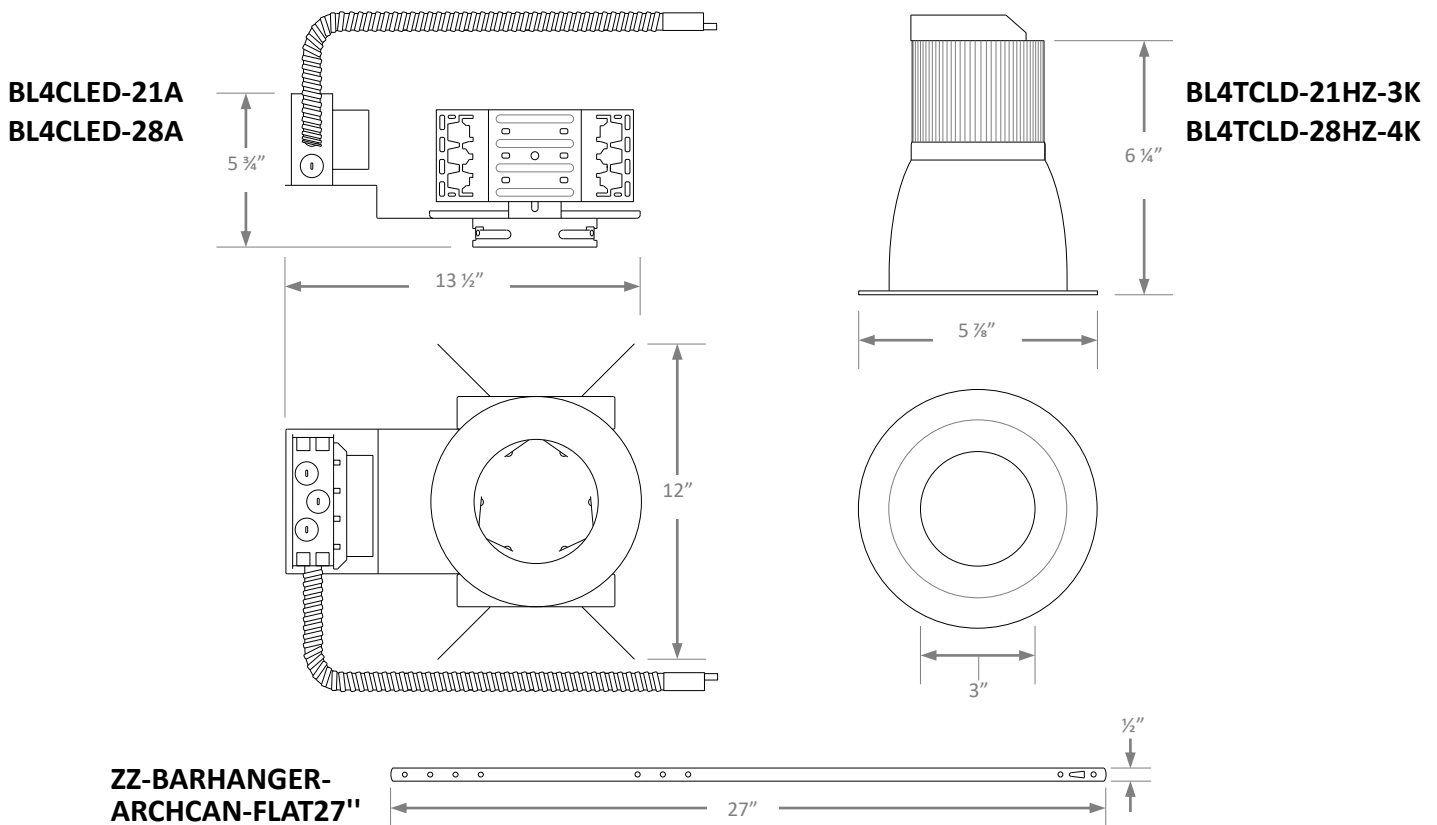
## ORDERING INFORMATION - TRIMS

MODEL	DESCRIPTION
BL4TCLD-21HZ-3K	4" TRIM, 3000K, 1,590 LUMENS, FOR USE WITH BL4CLED-21A
BL4TCLD-28HZ-4K	4" TRIM, 4000K, 1,940 LUMENS, FOR USE WITH BL4CLED-28A

## ACCESSORIES

MOUNTING ACCESSORIES	
ZZ-BARHANGER-ARCHCAN-FLAT27"	FLAT BAR HANGER - 27", FOR ARCHITECTURAL CANS

## DIMENSIONS



## FRAMES



## FEATURES

- Flat bar hangers available for ceiling grid mounting (order separately).
- Junction box is mounted on frame for easy wiring and driver access.
- Integral heat sink for heat disbursement.
- Tapered aluminum reflector with frosted lens.
- Input voltage = 120-277V (50-60Hz).
- Wattage = 28W (3000k) or 48W (4000k)
- 0-10V dimming.

## TRIMS



## FEATURES

- Available in 3000k (warm white) and 4000k (neutral white) color temperatures.\*
- Long-life LEDs provide at least 70% of initial lumen output ( $L_{70}$ ) for 50,000 hours of operation.\*\*
- Provides up to 3,770 nominal lumens.
- Color rendering index ( $R_a$ ) > 80.

\* Contact factory for other color temperatures and lumen packages.

\*\*  $L_{70}$  hours are IES TM-21-11 calculated hours.

## WARRANTY &amp; LISTINGS

- cULus listed for damp and wet locations.
- Energy Star qualified.
- Title 24 compliant.

## STANDARD



- Complies with RoHS (Restriction on Hazardous Substances) requirements.
- 5-year warranty of all electronics and housing.

## ORDERING INFORMATION - Frames

MODEL	DESCRIPTION
BL6CLEL-28A	6" FRAME, 28 WATTS, FOR USE WITH BL6TCLD-28HZ-3K
BL6CLEL-48A	6" FRAME, 48 WATTS, FOR USE WITH BL6TCLD-48HZ-4K

## ORDERING INFORMATION - TRIMS

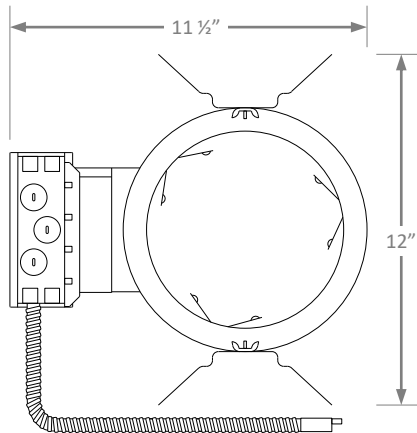
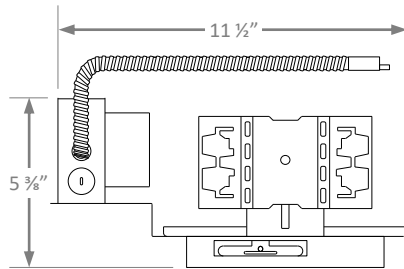
MODEL	DESCRIPTION
BL6TCLD-28HZ-3K	6" TRIM, 3000K, 2,210 LUMENS, FOR USE WITH BL6CLEL-28A
BL6TCLD-48HZ-4K	6" TRIM, 4000K, 3,770 LUMENS, FOR USE WITH BL6CLEL-48A

## ACCESSORIES

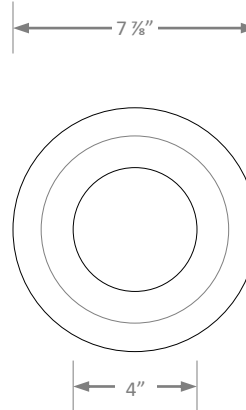
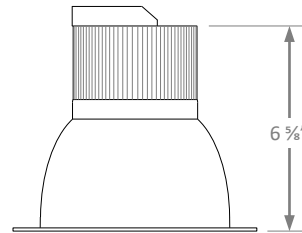
MOUNTING ACCESSORIES	
ZZ-BARHANGER-ARCHCAN-FLAT27"	FLAT BAR HANGER - 27", FOR ARCHITECTURAL CANS

## DIMENSIONS

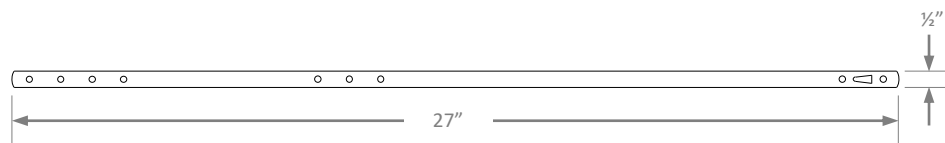
**BL6CLEL-28A  
BL6CLEL-48A**



**BL6TCLD-28HZ-3K  
BL6TCLD-48HZ-4K**



**ZZ-BARHANGER-ARCHCAN-FLAT27"**



## 6" LED Dedicated Cans

### STANDARD



### FEATURES

- Dedicated housings for 6" LED trims (BRK-LED56-BW, BRK-LED56-BW-V2, and BRK-LED56-GR series).
- Suitable for new construction or remodel applications.
- Galvanized steel construction.
- New construction model comes standard with nail for easy install.
- Bar hangers for use with new construction models are adjustable from 13.6" to 25" and can be positioned up to 90°.
- Remodel cans install into existing material with no above ceiling access required.
- Remodel cans come standard with four torsion clips to secure housing – accommodates 0.5" and 0.6" ceilings.
- Contains one 1.1" and six 0.9" knockouts and four romex pry-outs with strain relief.
- 2-pin snap-in connector for easy connection to LED trims.
- This device is not intended for use with emergency exits.

### WARRANTY & LISTINGS

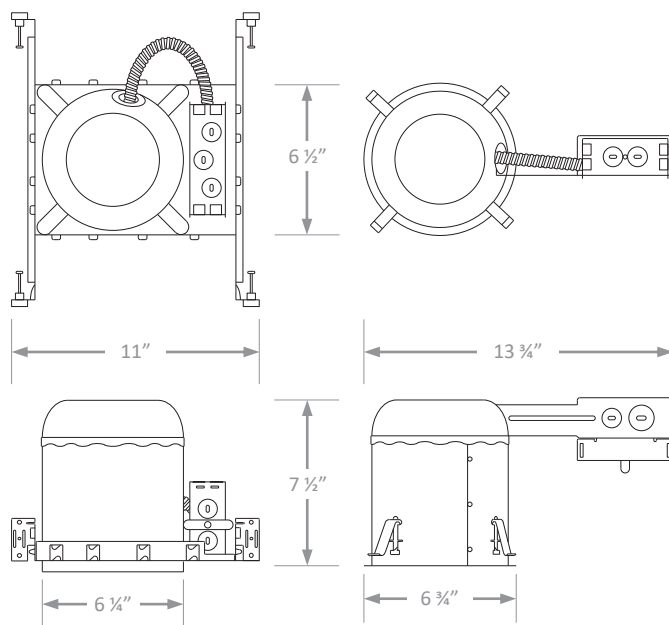
- cULus listed Type IC for damp locations.
- Listed for through-branch wiring.
- Title 24 compliant.
- Energy Star qualified.
- 5-year warranty of all electronics and housing.



BL9ICLED-NND

BL9ICLED-RND

### DIMENSIONS



### ORDERING INFORMATION

MODEL	DESCRIPTION
BL9ICLED-NND	6" IC LED DEDICATED CAN FOR NEW CONSTRUCTION
BL9ICLED-RND	6" IC LED DEDICATED CAN FOR REMODEL APPLICATIONS

## FRAMES



## FEATURES

- Flat bar hangers available for ceiling grid mounting (order separately).
- Junction box is mounted on frame for easy wiring and driver access.
- Integral heat sink for heat disbursement.
- Tapered aluminum reflector with frosted lens.
- Input voltage = 120-277V (50-60Hz).
- Wattage = 40W or 52W
- 0-10V dimming.

## TRIMS



## FEATURES

- Available in 4000k (neutral white) color temperatures.\*
- Long-life LEDs provide at least 70% of initial lumen output (L<sub>70</sub>) for 50,000 hours of operation.\*\*
- Provides up to 4,530 nominal lumens.
- Color rendering index (R<sub>a</sub>) > 80.

\* Contact factory for other color temperatures and lumen packages.

\*\* L<sub>70</sub> hours are IES TM-21-11 calculated hours.

## WARRANTY & LISTINGS

- cULus listed for damp and wet locations.
- Energy Star qualified.
- Title 24 compliant.

## STANDARD



- Complies with RoHS (Restriction on Hazardous Substances) requirements.
- 5-year warranty of all electronics and housing.

## ORDERING INFORMATION - Frames

MODEL	DESCRIPTION
BL8CLED-40A	8" FRAME, 40 WATTS, FOR USE WITH BL8TCLD-40HZ-4K
BL8CLED-52A	8" FRAME, 52 WATTS, FOR USE WITH BL8TCLD-52HZ-4K

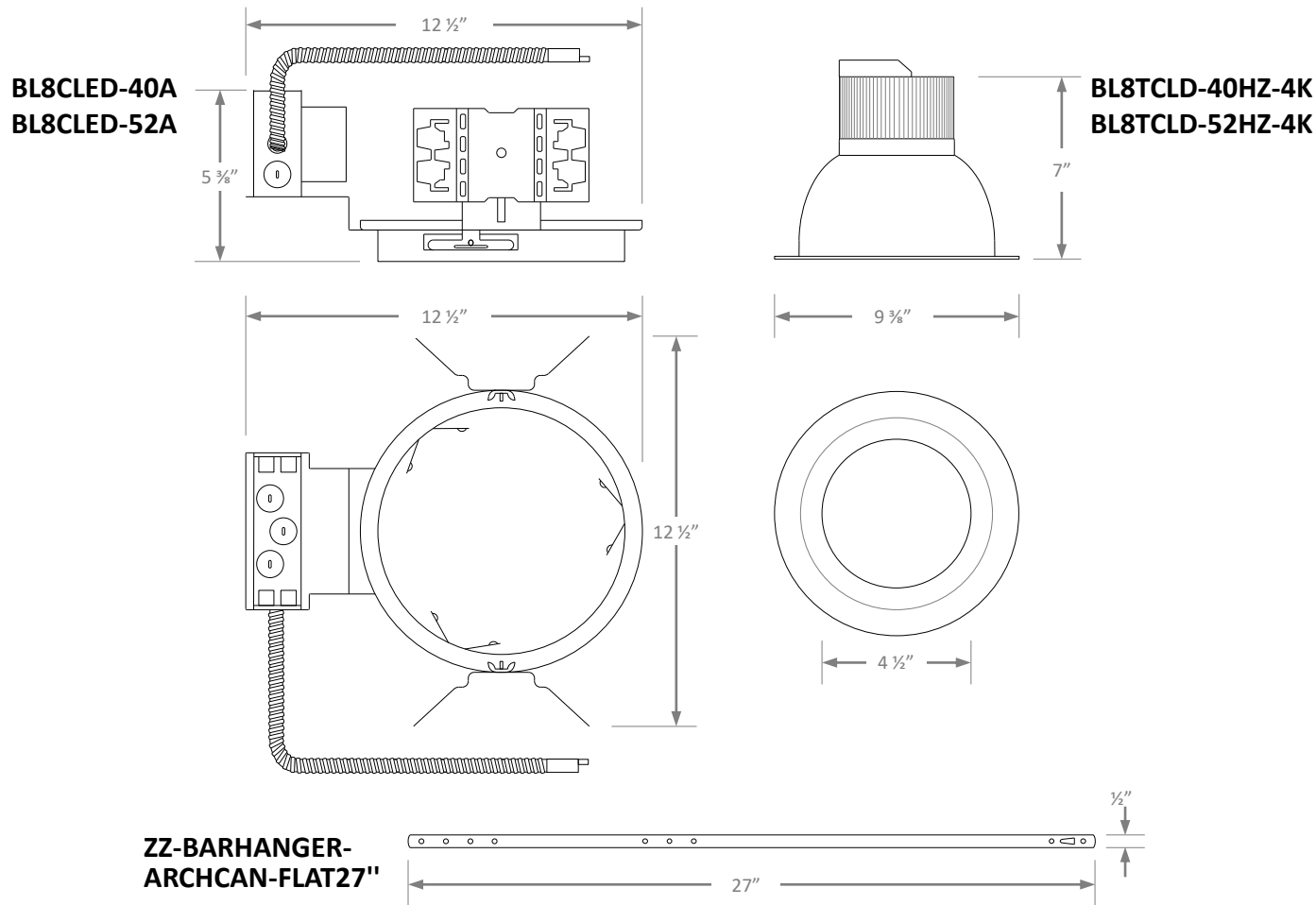
## ORDERING INFORMATION - TRIMS

MODEL	DESCRIPTION
BL8TCLD-40HZ-4K	8" TRIM, 4000K, 3,090 LUMENS, FOR USE WITH BL8CLED-40A
BL8TCLD-52HZ-4K	8" TRIM, 4000K, 4,530 LUMENS, FOR USE WITH BL8CLED-52A

## ACCESSORIES

MOUNTING ACCESSORIES	
ZZ-BARHANGER-ARCHCAN-FLAT27"	FLAT BAR HANGER - 27", FOR ARCHITECTURAL CANS

## DIMENSIONS





## Warranty

Americanlite® is pleased to provide a 5 year limited warranty covering the fixtures and lamps in this catalogue. Americanlite® warrants that the fixtures comply with Americanlite®'s published specifications and are free from defects in materials and workmanship.

All our equipment is CE, TUV, FCC or UL approved and manufactured with approved components. Americanlite® reserves the right to change or improve the design or components of any of its products due to parts availability or changes in standards, without assuming any obligation to modify any product previously manufactured and without notice. All equipment is tested and inspected before shipment.

This warranty is void if the product is operated outside of its normal operating conditions. The foregoing warranty does not apply to failures caused by acts of God or as a result of any abuse, misuse, abnormal use, or use in violation of any applicable standard, code or instructions for use in installations, including, but not limited to, those contained in the Standards for the International Electrotechnical Commission. Americanlite® reserves and has the right to examine failed ballast to determine the cause of failure, excessive lumen depreciation and patterns of usage.