



Meter Sockets

Nema 3R

americanlite®

We light your world™



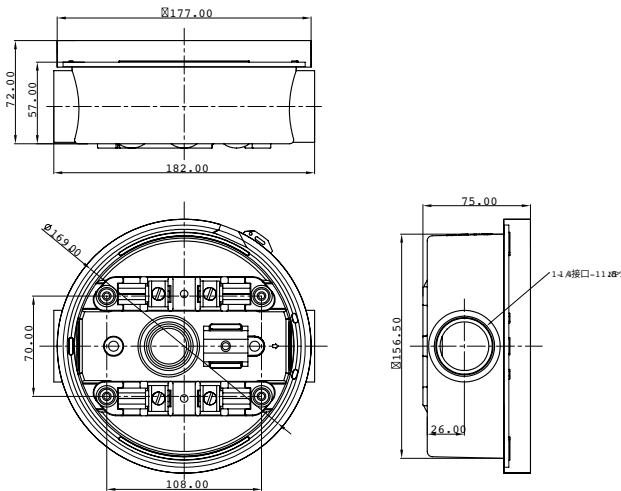
Round Meter Socket NEMA 3R, 100A/4J Ring Type



Item AL603022



Dimensions (mm)



Specifications

Material	Body (base)	Aluminum
	Jaws	Steel
	Terminal	Steel
	Connector	Steel
	Bakelite	ABS
	Ground Connector	Steel
	Type	Ring: Stainless steel 201 (thickness is 0.35mm)
Appearance	Body Finish	Free of rust or any other defect
	Technical info	100 A, 4 Jaws, 120V/240V, 1 Pase, 1-1/4"hub
	Weight	550g±1%

Packing information

Pieces per master	CBM (Master)	Box Dimensions (CM)	Gross weight (KGS)
20	0.0582	42 x 37 x 37.5	15

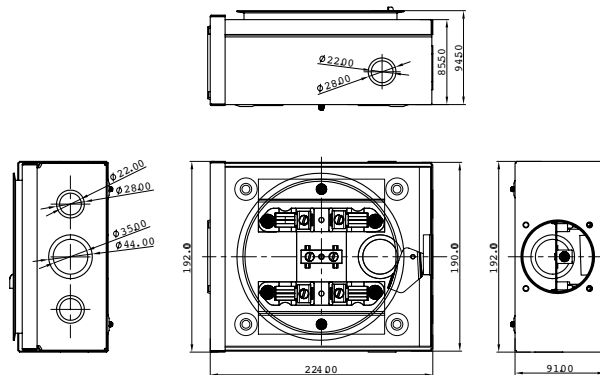


Square Meter Socket NEMA 3R, 100A/4J Ring Type

Item AL603023



Dimensions (mm)



Specifications

Material	Body (base)	1.0mm Galvanized Steel
	Jaws	Copper
	Terminal	Steel
	Connector	Steel
	Bakelite	ABS
	Ground Connector	Aluminum
	Type	Ring:Stainless steel 201 (thickness is 0.35mm)
Appearance	Body Finish	Free of rust or any other defect
	Technical info	100 A, 4 Jaws, 120V/240V, 1 Phase, 1-1/4"hub
	Weight	1800g±1%

Packing information

Pieces per master	CBM (Master)	Box Dimensions (CM)	Gross weight (KGS)
10	0.0587	51.5 x 41.5 x 27.5	18

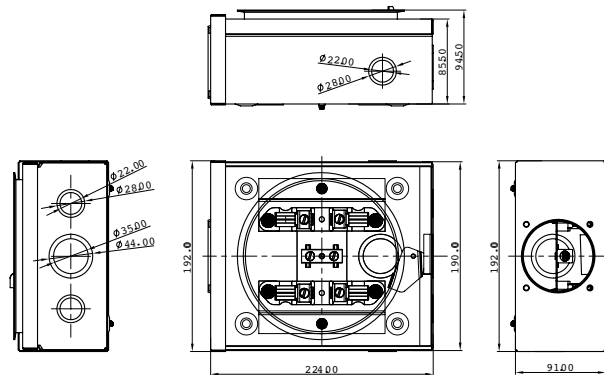
Square Meter Socket NEMA 3R, 100A/4J Ring Type



Item AL603024



Dimensions (mm)



Specifications

Material	Body (base)	1.0mm Galvanized Steel
	Jaws	Copper (M Type)
	Terminal	Steel
	Connector	Steel
	Bakelite	ABS
	Ground Connector	Aluminum
	Type	Ring: Stainless steel 201 (thickness is 0.35mm)
Appearance	Body Finish	Free of rust or any other defect
	Technical info	100 A, 4 Jaws, 120V/240V, 1 Phase, 1-1/4"hub
	Weight	1700g±2%

Packing information

Pieces per master	CBM (Master)	Box Dimensions (CM)	Gross weight (KGS)
10	0.0587	51.5 x 41.5 x 27.5	18

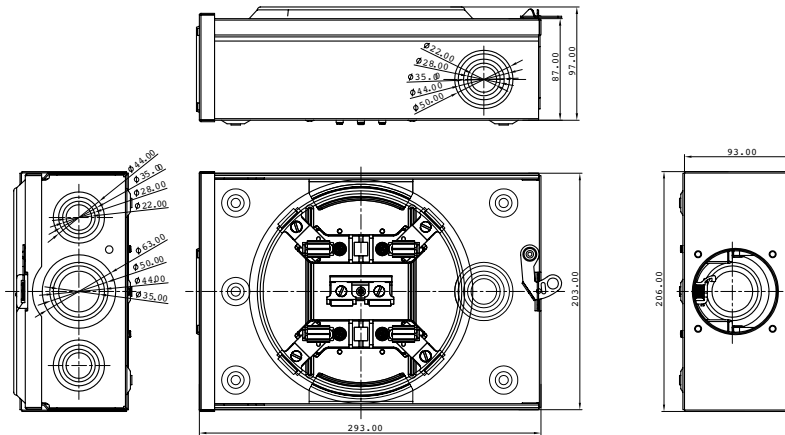


Square Meter Socket NEMA 3R, 125A/4J Ringless Type

Item AL603025



Dimensions (mm)



Specifications

Material	Body (base)	1.2mm Galvanized Steel
	Jaws	Copper (Y Type)
	Terminal	Aluminum + Steel
	Connector	Aluminum
	Bakelite	ABS
	Ground Connector	Steel
	Type	Ringless
Appearance	Body Finish	Free of rust or any other defect
	Technical info	125 A, 4 Jaws, 120V/240V, 1 Phase, 1-1/4" hub
	Weight	2600g±2%

Packing information

Pieces per master	CBM (Master)	Box Dimensions (CM)	Gross weight (KGS)
8	0.0684	44 x 34.2 x 45.5	22

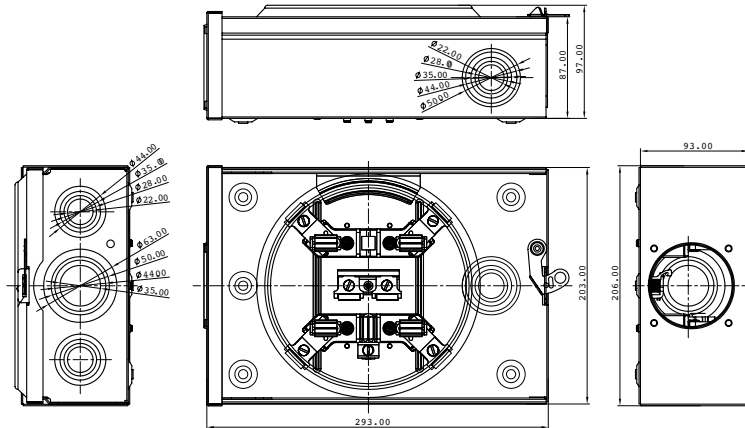
Square Meter Socket NEMA 3R, 125A/5J Ringless Type



Item AL603026



Dimensions (mm)



Specifications

Material	Body (base)	1.2mm Galvanized Steel
	Jaws	Copper
	Terminal	Aluminum/Steel
	Connector	Aluminum
	Bakelite	ABS
	Ground Connector	Steel
	Type	Ringless
Appearance	Body Finish	Free of rust or any other defect
	Technical info	125 A, 5Jaws, 120V/240V, 1 Phase, 1-1/4"hub
	Weight	2620g±1%

Packing information

Pieces per master	CBM (Master)	Box Dimensions (CM)	Gross weight (KGS)
8	0.0684	44 x 34.2 x 45.5	22

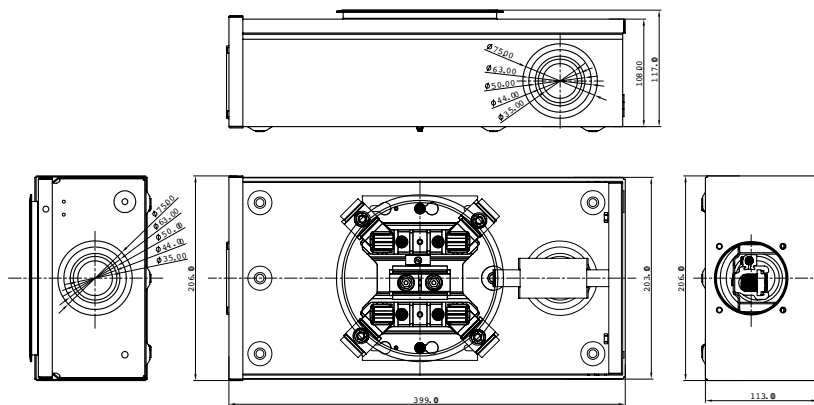


Rectangle Meter Socket NEMA 3R, 200A/4J Ring Type

Item AL603027



Dimensions (mm)



Specifications

Material	Body (base)	1.2mm Galvanized Steel
	Jaws	Phosphor bronze
	Terminal	Steel
	Connector	Aluminum
	Bakelite	ABS
	Ground Connector	Aluminum
	Type	Ring
Appearance	Body Finish	Free of rust or any other defect
	Technical info	200A, 4 Jaws, 120V/240V, 1 Phase, 2" hub
	Weight	3800g±2%

Packing information

Pieces per master	CBM (Master)	Box Dimensions (CM)	Gross weight (KGS)
8	0.0726	44 x 35.5 x 46.5	25



Rectangle Meter Socket

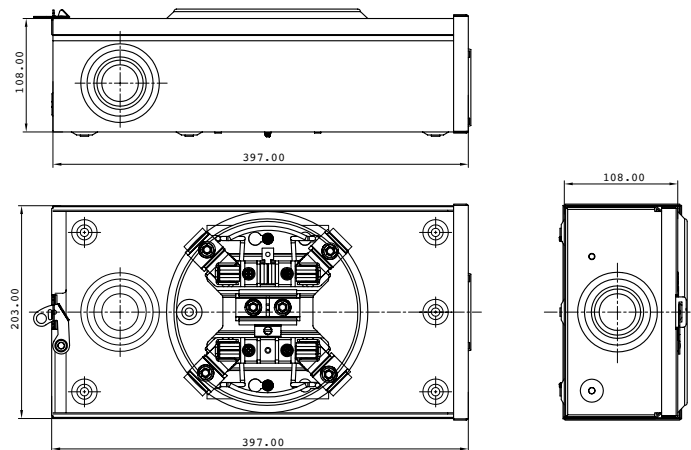
NEMA 3R, 200A/5J

Ringless Type

Item AL603028



Dimensions (mm)



Specifications

Material	Body (base)	1.2mm Galvanized Steel
	Jaws	Phosphor bronze
	Terminal	Steel
	Connector	Aluminum
	Bakelite	ABS
	Ground Connector	Aluminum
	Type	Ringless
Appearance	Body Finish	Free of rust or any other defect
	Technical info	200A, 5 Jaws, 120V/240V, 1 Phase, 2" hub
	Weight	5500g±2%

Packing information

Pieces per master	CBM (Master)	Box Dimensions (CM)	Gross weight (KGS)
6	0.0773	44.5 x 44 x 39.5	24

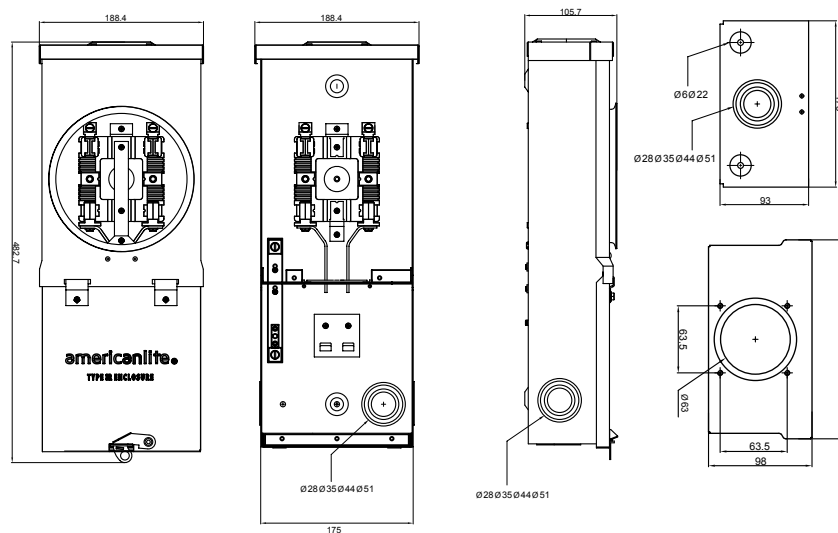
Outdoor Meter Breaker Panel NEMA 3R, 125A/4J Ring Type



Item AL603029



Dimensions (mm)



Specifications

Material	Body (base)	1.5mm Aluminum
	Jaws	Phosphor bronze
	Terminal	Aluminum
	Connector	Aluminum
	Bakelite	PC
	Ground Connector	Aluminum
	Type	Ring
Appearance	Body Finish	Free of rust or any other defect
	Technical info	125A, 4 Jaws, 120V/240V, 1 Phase, 2" hub
	Weight	1960g±2%

Packing information

Pieces per master	CBM (Master)	Box Dimensions (CM)	Gross weight (KGS)
5	0.0718	65.5 x 21.5 x 51	11.75



Warranty

Americanlite® is pleased to provide up to a 1 year limited warranty covering the products in this catalogue. Americanlite® warrants that the products comply with Americanlite®'s published specifications and are free from defects in materials and workmanship.

Americanlite® reserves the right to change or improve the design or components of any of its products due to parts availability or changes in standards, without assuming any obligation to modify any product previously manufactured and without notice. All equipment is tested and inspected before shipment.

This warranty is void if the product is operated outside of its normal operating conditions. The foregoing warranty does not apply to failures caused by acts of God or as a result of any abuse, misuse, abnormal use, or use in violation of any applicable standard, code or instructions for use in installations, including, but not limited to, those contained in the Standards for the International Electrotechnical Commission. Americanlite® reserves and has the right to examine failed fixtures to determine the cause of failure, excessive lumen depreciation and patterns of usage.