

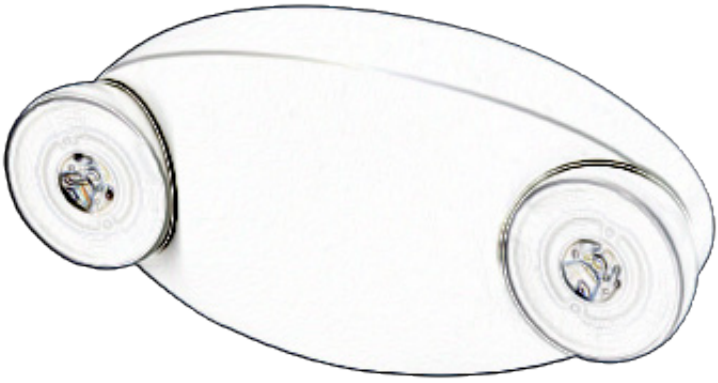


# Emergency

americanlite®

We light your world™





## STANDARD



## ILLUMINATION

- Long lasting, efficient ultra-bright white LED lamp heads.
- Total watts 1.6 (8 LEDs per head) total 150 lumen output.
- High-performance chrome-plated metalized reflector and plastic lens for optimal light distribution.
- Adjustable LED lamp heads provide optimal center-to-center spacing.

## ELECTRICAL

- Dual Voltage 120V/277V 50-60Hz
- PF >0.4
- Charge rate/power "ON" LED indicator light and push to test switch for mandated code compliance testing.
- 3.6V600mAh long-life, maintenance-free, rechargeable NiCd battery, 500 cycles.
- Internal solid-state transfer switch automatically connects the internal battery to LED lamp heads for 90 minutes minimum / 160 minutes maximum emergency illumination.
- Fully automatic solid-state, two-rate charger initiates battery charging to recharge a discharged battery in 24 hours.
- Low voltage battery disconnection preventing deep discharge damage to the battery.

## MOUNTING

- Universal mounting plate with EZ quick connect for rapid installation.
- Suitable for wall or ceiling mount.

## HOUSING

- Injection-molded, engineered grade 5VA flame retardant, high-impact resistant, thermoplastic in white finish. Flame retardant rating up to 850C.

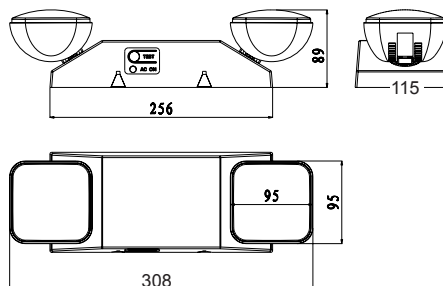
## OPTIONS

- SDT: Self-diagnostic feature performs monthly and annual tests to ensure reliable operation and meet electrical and life safety codes.

## WARRANTY/LISTING

- Five year warranty on all electronics and housing. Batteries three years.
- UL listed for indoor damp locations. (0°C – 40°C)
- Meets UL924, NFPA 101, NEC and OSHA illumination standards.

## DIMENSIONS (MM)



## ORDERING INFORMATION

Model	Housing Color	Options
ALEDR1	White	SDT Self-diagnostic

## PACKING INFORMATION

Pieces per master	Box Dimensions (cm)	CBM (Master)	Gross weight (Kg)
6	40.7x32.5x23	0.0304	5.1

## NOTES:

- AC input and battery output include fuse to prevent fire from overload current. Once current is overloaded the fuse will break and needs to be replaced by a professional.
- Damp location is only for low or high temperature operation not for dust-proof or water-proof
- Batteries must be charged every 18 months to ensure product conservation.
- Specifications and dimensions subject to change without notice.

## STANDARD



### ILLUMINATION

- Long lasting, efficient ultra-bright white LED lamp heads.
- Total watts 2.4 (4 LEDs per head) total 270 lumen output.
- High-performance chrome-plated metalized reflector and plastic lens for optimal light distribution.
- Adjustable LED lamp heads provide optimal center-to-center spacing.

### ELECTRICAL

- Universal Voltage 120V-277V 50-60Hz
- PF <0.4
- Charge rate/power "ON" LED indicator light and push to test switch for mandated code compliance testing.
- 3.6V 1000mAh long-life, maintenance-free, rechargeable NiCd battery, 500 cycles.
- Internal solid-state transfer switch automatically connects the internal battery to LED lamp heads for 90 minutes minimum /130 minutes maximum emergency illumination.
- Fully automatic solid-state, two-rate charger initiates battery charging to recharge a discharged battery in 24 hours.
- Low voltage battery disconnection preventing deep discharge damage to the battery.

### MOUNTING

- Universal mounting plate with EZ quick connect for rapid installation.
- Suitable for wall or ceiling mount.

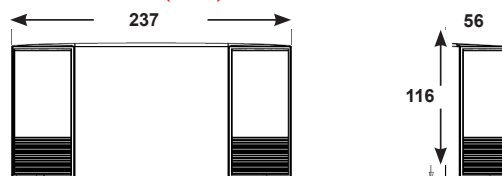
### HOUSING

- Injection-molded, engineered grade 5VA flame retardant, high-impact resistant, thermoplastic in white finish. Flame retardant rating up to 850C.

### WARRANTY/LISTING

- Five year warranty on all electronics and housing. Batteries three years.
- UL listed for indoor damp locations. (0°C – 40°C)
- Meets UL924, NFPA 101, NEC and OSHA illumination standards.

### DIMENSIONS (MM)



### ORDERING INFORMATION

Model	Housing Color
ALEDR2	White

### PACKING INFORMATION

Pieces per master	Box Dimensions (cm)	CBM (Master)	Gross weight (Kg)
12	40x27x28.2	0.0304	7

#### NOTES:

- AC input and battery output include fuse to prevent fire from overload current. Once current is overloaded the fuse will break and needs to be replaced by a professional.
- Batteries must be charged every 18 months to ensure product conservation.
- Damp location is only for low or high temperature operation not for dust-proof or water-proof
- Specifications and dimensions subject to change without notice.

STANDARD



### ILLUMINATION

- Long lasting, efficient ultra-bright white LED lamp heads.
- Total watts 2.4 (12 LEDs per head) total 200 lumen output.
- High-performance chrome-plated metalized reflector and plastic lens for optimal light distribution.
- Fixed LED lamp heads provide optimal center-to-center spacing.

### ELECTRICAL

- Dual Voltage 120V/277V 50/60Hz
- PF <0.4
- Charge rate/power "ON" LED indicator light and push to test switch for mandated code compliance testing.
- 3.6V 1000mAh long-life, maintenance-free, rechargeable NiCd battery, 500 cycles.
- Internal solid-state transfer switch automatically connects the internal battery to LED lamp heads for 90 minutes minimum /100 minutes maximum emergency illumination.
- Fully automatic solid-state, two-rate charger initiates battery charging to recharge a discharged battery in 24 hours.
- Low voltage battery disconnection preventing deep discharge damage to the battery.

### MOUNTING

- Universal mounting plate with EZ quick connect for rapid installation.
- Suitable for wall or ceiling mount.

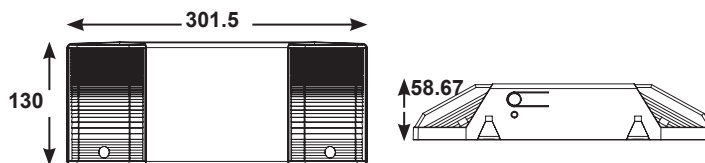
### HOUSING

- Injection-molded, engineered grade 5VA flame retardant, high-impact resistant, thermoplastic in white finish. Flame retardant rating up to 850C.

### WARRANTY/LISTING

- Five year warranty on all electronics and housing. Batteries three years.
- UL listed for indoor damp locations. (0°C – 40°C)
- Meets UL924, NFPA 101, NEC and OSHA illumination standards.

### DIMENSIONS (MM)



### ORDERING INFORMATION

Model	Housing Color	Options
LEDR2F	White	SDT Self diagnostic

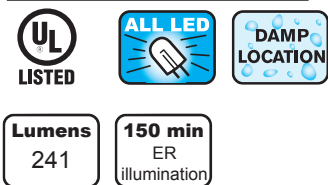
### PACKING INFORMATION

Pieces per master	Box Dimensions (cm)	CBM (Master)	Gross weight (Kg)
6	32x29.5x26	0.0245	4.9

NOTES:

- AC input and battery output include fuse to prevent fire from overload current. Once current is overloaded the fuse will break and needs to be replaced by a professional.
- Batteries must be charged every 18 months to ensure product conservation.
- Damp location is only for low or high temperature operation not for dust-proof or water-proof.
- Specifications and dimensions subject to change without notice.

## STANDARD



## ILLUMINATION

- Long lasting, efficient ultra-bright white LED lamp heads.
- Total watts 2, total 241 lumen output.
- High-performance chrome-plated metalized reflector and plastic lens for optimal light distribution.
- Adjustable LED lamp heads provide optimal center-to-center spacing.

## ELECTRICAL

- Universal Voltage 120V-277V 50-60Hz
- PF <0.4
- Charge rate/power "ON" LED indicator light and push to test switch for mandated code compliance testing.
- 3.6V 1000mAH long-life, maintenance-free, rechargeable NiCd battery, 500 cycles.
- Internal solid-state transfer switch automatically connects the internal battery to LED lamp heads for 90 minutes minimum /150 minutes maximum emergency illumination.
- Fully automatic solid-state, two-rate charger initiates battery charging to recharge a discharged battery in 24 hours.
- Low voltage battery disconnection preventing deep discharge damage to the battery.

## MOUNTING

- Universal mounting plate with EZ quick connect for rapid installation.
- Suitable for wall or ceiling mount.

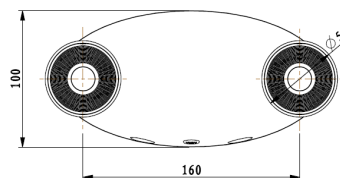
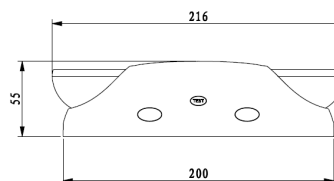
## HOUSING

- Injection-molded, engineered grade 5VA flame retardant, high-impact resistant, thermoplastic in white finish. Flame retardant rating up to 850C.

## WARRANTY/LISTING

- Five year warranty on all electronics and housing. Batteries three years.
- Listed for indoor damp locations. (0°C – 40°C)
- Meets UL924, NFPA 101, NEC and OSHA illumination standards.

## DIMENSIONS (MM)



## ORDERING INFORMATION

Model	Housing Color
LEDR3	White

## PACKING INFORMATION

Pieces per master	Box Dimensions (cm)	CBM (Master)	Gross weight (Kg)
12	35.5x23.5x26	0.0216	4

### NOTES:

- AC input and battery output include fuse to prevent fire from overload current. Once current is overloaded the fuse will break and needs to be replaced by a professional.
- Damp location is only for low or high temperature operation not for dust-proof or water-proof.
- Batteries must be charged every 18 months to ensure product conservation.
- Specifications and dimensions subject to change without notice.

**STANDARD**



**Lumens**  
200

**150 min**  
ER  
illumination



**ILLUMINATION**

- Long lasting, efficient ultra-bright white LED lamp heads.
- Total watts 2, total 200 lumen output.
- High-performance chrome-plated metalized reflector and plastic lens for optimal light distribution.
- Adjustable LED lamp heads provide optimal center-to-center spacing.

**ELECTRICAL**

- Dual Voltage 120V/277V 50-60Hz
- PF <0.4
- Charge rate/power "ON" LED indicator light and push to test switch for mandated code compliance testing.
- 3.6V 1000mAH long-life, maintenance-free, rechargeable NiCd battery, 500 cycles.
- Cable 18AWG / 1 meter, american plug
- Internal solid-state transfer switch automatically connects the internal battery to LED lamp heads for 90 minutes minimum /150 minutes maximum emergency illumination.
- Fully automatic solid-state, two-rate charger initiates battery charging to recharge a discharged battery in 24 hours.
- Low voltage battery disconnection preventing deep discharge damage to the battery.

**MOUNTING**

- Universal mounting plate with EZ quick connect for rapid installation.
- Suitable for wall or ceiling mount.

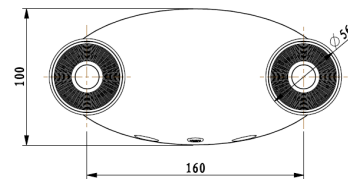
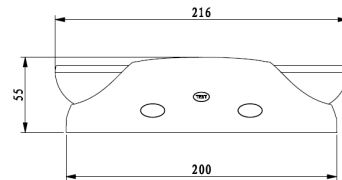
**HOUSING**

- Injection-molded, engineered grade high-impact resistant, thermoplastic in white finish. Flame retardant rating up to 850C.

**WARRANTY/LISTING**

- Five year warranty on all electronics and housing. Batteries three years.
- Suitable for use indood damp location temp (0°C – 40°C)

**DIM**



**ORDERING INFORMATION**

Model	Housing Color
LEDR3C	White

**PACKING INFORMATION**

Pieces per master	Box Dimensions (cm)	CBM (Master)	Gross weight (Kg)
12	40 x 23.5 x 25.5	0.0239	6

NOTES:

- AC input and battery output include fuse to prevent fire from overload current. Once current is overloaded the fuse will break and needs to be replaced by a professional.
- Damp location is only for low or high temperature operation not for dust-proof or water-proof.
- Batteries must be charged every 18 months to ensure product conservation.
- Specifications and dimensions subject to change without notice.

STANDARD



### ILLUMINATION

- Long lasting, efficient ultra-bright white LED lamp heads.
- Total watts 2, total 241 lumen output.
- High-performance chrome-plated metalized reflector and plastic lens for optimal light distribution.
- Adjustable LED lamp heads provide optimal center-to-center spacing.

### ELECTRICAL

- Dual Voltage 120V/277V 50-60Hz
- PF <0.4
- Charge rate/power "ON" LED indicator light and push to test switch for mandated code compliance testing.
- 3.6V 1000mAH long-life, maintenance-free, rechargeable NiCd battery, 500 cycles.
- Internal solid-state transfer switch automatically connects the internal battery to LED lamp heads for 90 minutes minimum /150 minutes maximum emergency illumination.
- Fully automatic solid-state, two-rate charger initiates battery charging to recharge a discharged battery in 24 hours.
- Low voltage battery disconnection preventing deep discharge damage to the battery.

### MOUNTING

- Universal mounting plate with EZ quick connect for rapid installation.
- Suitable for wall or ceiling mount.

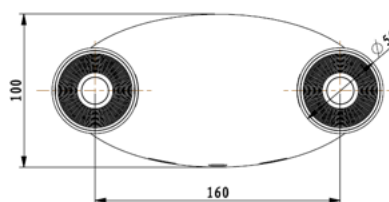
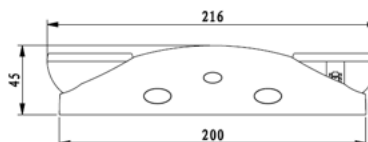
### HOUSING

- Injection-molded, engineered grade 5VA flame retardant, high-impact resistant, thermoplastic in white finish. Flame retardant rating up to 850C.

### WARRANTY/LISTING

- Five year warranty on all electronics and housing. Batteries three years.
- UL listed for indoor damp locations. (0°C – 40°C)
- Meets UL924, NFPA 101, NEC and OSHA illumination standards.

### DIMENSIONS



### ORDERING INFORMATION

Model	Housing Color
LEDR3S	White

### PACKING INFORMATION

Pieces per master	Box Dimensions (cm)	CBM (Master)	Gross weight (Kg)
12	35.5x23.5x26	0.0216	4

NOTES:

- AC input and battery output include fuse to prevent fire from overload current. Once current is overloaded the fuse will break and needs to be replaced by a professional.
- Damp location is only for low or high temperature operation not for dust-proof or water-proof.
- Batteries must be charged every 18 months to ensure product conservation.
- Specifications and dimensions subject to change without notice.

STANDARD



### ILLUMINATION

- Long lasting, efficient ultra-bright white LED lamp heads.
- Total watts 2.4 (12 LEDs per head) total 205 lumen output.
- High-performance chrome-plated metalized reflector and plastic lens for optimal light distribution.
- Adjustable LED lamp heads provide optimal center-to-center spacing.

### ELECTRICAL

- Universal Voltage 120V-277V 50-60Hz
- PF <0.4
- Charge rate/power "ON" LED indicator light and push to test switch for mandated code compliance testing.
- 3.6V 1000mAH long-life, maintenance-free, rechargeable NiCd battery, 500 cycles.
- Internal solid-state transfer switch automatically connects the internal battery to LED lamp heads for 90 minutes minimum /130 minutes maximum emergency illumination.
- Fully automatic solid-state, two-rate charger initiates battery charging to recharge a discharged battery in 24 hours.
- Low voltage battery disconnection preventing deep discharge damage to the battery.

### MOUNTING

- Universal mounting plate with EZ quick connect for rapid installation.
- Suitable for wall or ceiling mount.

### HOUSING

- Injection-molded, engineered grade 5VA flame retardant, high-impact resistant, thermoplastic in white finish. Flame retardant rating up to 850C.

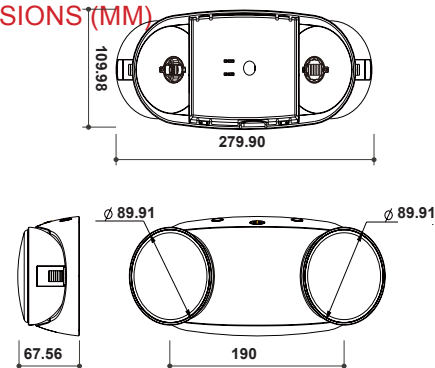
### OPTIONS

- STD: Self-diagnostic feature performs monthly and annual tests to ensure reliable operation and meet electrical and life safety codes.

### WARRANTY/LISTING

- Five year warranty on all electronics and housing. Batteries three years.
- UL listed for indoor damp locations. (0°C – 40°C)
- Meets UL924, NFPA 101, NEC and OSHA illumination standards.

### DIMENSIONS (MM)



### ORDERING INFORMATION

Model	Housing Color	Options
LEDR5	White	STD Self diagnostic

### PACKING INFORMATION

Pieces per master	Box Dimensions (cm)	CBM (Master)	Gross weight (Kg)
6	30x23.5x24.5	0.0172	3.2

NOTES:

- AC input and battery output include fuse to prevent fire from overload current. Once current is overloaded the fuse will break and needs to be replaced by a professional.
- Damp location is only for low or high temperature operation not for dust-proof or water-proof.
- Batteries must be charged every 18 months to ensure product conservation.
- Specifications and dimensions subject to change without notice.

STANDARD



### ILLUMINATION

- Long lasting, efficient ultra-bright white LED lamp heads.
- Total watts 2.4 (12 LEDs per head) total 205 lumen output.
- High-performance chrome-plated metalized reflector and plastic lens for optimal light distribution.
- Adjustable LED lamp heads provide optimal center-to-center spacing.
- Remote Capacity up to 2W

### ELECTRICAL

- Dual Voltage 120V/277V 50/60Hz
- PF <0.4
- Charge rate/power "ON" LED indicator light and push to test switch for mandated code compliance testing.
- 3.6V 2000mAH long-life, maintenance-free, rechargeable NiCd battery, 500 cycles.
- Internal solid-state transfer switch automatically connects the internal battery to LED lamp heads for 90 minutes minimum /240 minutes maximum emergency illumination.
- Fully automatic solid-state, two-rate charger initiates battery charging to recharge a discharged battery in 24 hours.
- Low voltage battery disconnection preventing deep discharge damage to the battery.

### MOUNTING

- Universal mounting plate with EZ quick connect for rapid installation.
- Suitable for wall or ceiling mount.

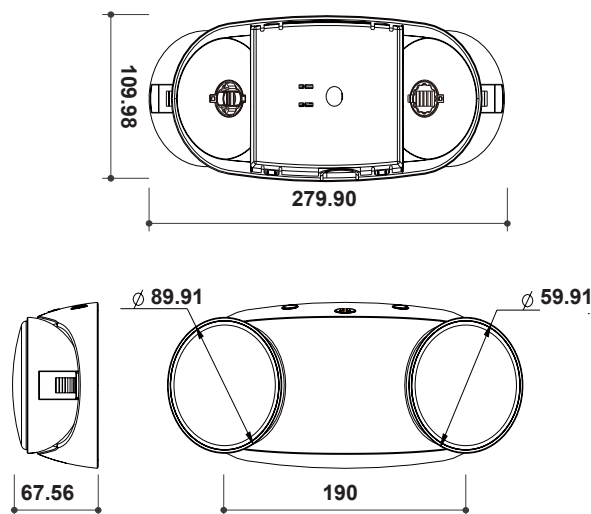
### HOUSING

- Injection-molded, engineered grade 5VA flame retardant, high-impact resistant, thermoplastic in white finish. Flame retardant rating up to 850C.

### WARRANTY/LISTING

- Five year warranty on all electronics and housing. Batteries three years.
- UL listed for indoor damp locations. (0°C – 40°C)
- Meets UL924, NFPA 101, NEC and OSHA illumination standards.

### DIMENSIONS (MM)



### ORDERING INFORMATION

Model	Housing Color
LEDR5RC	White

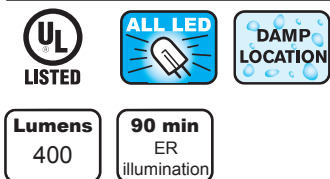
### PACKING INFORMATION

Pieces per master	Box Dimensions (cm)	CBM (Master)	Gross weight (Kg)
6	30x23.5x24.5	0.0172	4.5

NOTES:

- AC input and battery output include fuse to prevent fire from overload current. Once current is overloaded the fuse will break and needs to be replaced by a professional.
- Damp location is only for low or high temperature operation not for dust-proof or water-proof.
- Batteries must be charged every 18 months to ensure product conservation.
- Specifications and dimensions subject to change without notice.

## STANDARD



## ILLUMINATION

- Long lasting, efficient ultra-bright white LED lamp heads.
- Total watts 3.6 (12 LEDs per head) total 400 lumen output.
- High-performance chrome-plated metalized reflector and plastic lens for optimal light distribution.
- Adjustable LED lamp heads provide optimal center-to-center spacing.

## ELECTRICAL

- Dual Voltage 120V/277V 50/60Hz
- PF <0.4
- Charge rate/power "ON" LED indicator light and push to test switch for mandated code compliance testing.
- 3.6V 2000mAH long-life, maintenance-free, rechargeable NiCd battery, 500 cycles.
- Internal solid-state transfer switch automatically connects the internal battery to LED lamp heads for 90 minutes maximum emergency illumination.
- Fully automatic solid-state, two-rate charger initiates battery charging to recharge a discharged battery in 24 hours.
- Low voltage battery disconnection preventing deep discharge damage to the battery.

## MOUNTING

- Universal mounting plate with EZ quick connect for rapid installation.
- Suitable for wall or ceiling mount.

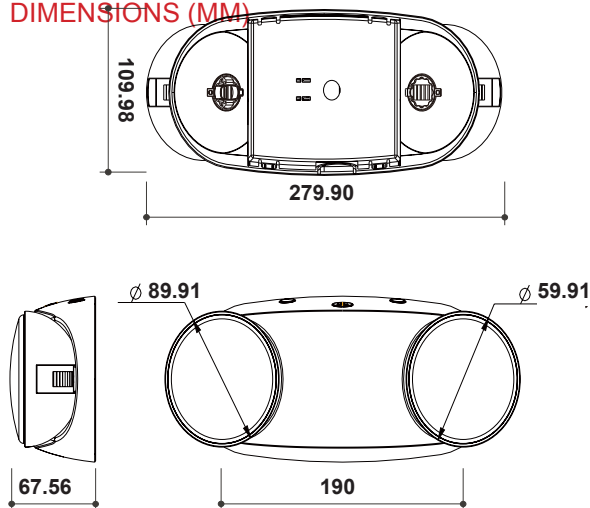
## HOUSING

- Injection-molded, engineered grade 5VA flame retardant, high-impact resistant, thermoplastic in white finish. Flame retardant rating up to 850C.

## WARRANTY/LISTING

- Five year warranty on all electronics and housing. Batteries three years.
- For indoor damp locations. (0°C – 40°C)
- Meets UL924, NFPA 101, NEC and OSHA illumination standards.

## DIMENSIONS (MM)



## ORDERING INFORMATION

Model	Housing Color	Options
LEDR5H	White	SDT Self diagnostic

## PACKING INFORMATION

Pieces per master	Box Dimensions (cm)	CBM (Master)	Gross weight (Kg)
6	30x23.5x24.5	0.0172	4.5

### NOTES:

- AC input and battery output include fuse to prevent fire from overload current. Once current is overloaded the fuse will break and needs to be replaced by a professional.
- Damp location is only for low or high temperature operation not for dust-proof or water-proof.
- Batteries must be charged every 18 months to ensure product conservation.
- Specifications and dimensions subject to change without notice.

## STANDARD



## ILLUMINATION

- Long lasting, efficient ultra-bright white LED lamp heads.
- Total watts 3.6 (12 LEDs per head) total 400 lumen output.
- High-performance chrome-plated metalized reflector and plastic lens for optimal light distribution.
- Adjustable LED lamp heads provide optimal center-to-center spacing.

## ELECTRICAL

- Dual Voltage 120V/277V 50/60Hz
- PF <0.4
- Charge rate/power "ON" LED indicator light and push to test switch for mandated code compliance testing.
- 3.6V 2000mAH long-life, maintenance-free, rechargeable NiCd battery, 500 cycles.
- Internal solid-state transfer switch automatically connects the internal battery to LED lamp heads for 90 minutes minimum /150 minutes maximum emergency illumination.
- Fully automatic solid-state, two-rate charger initiates battery charging to recharge a discharged battery in 24 hours.
- Low voltage battery disconnection preventing deep discharge damage to the battery.

## MOUNTING

- Universal J-box mounting pattern.
- Suitable for wall or ceiling mount

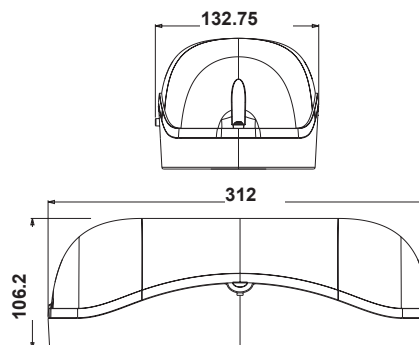
## HOUSING

- Injection-molded, engineering-grade, high-impact resistant, thermoplastic in white finish and polycarbonate cover, 5VA flame retardant. Flame retardant rating up to 850C.

## WARRANTY/LISTING

- Five year warranty on all electronics and housing. Batteries three years.
- UL listed for outdoor wet locations. (-0°C – 40°C)
- Meets UL924, NFPA 101, NEC and OSHA illumination standards.

## DIMENSIONS (MM)



## ORDERING INFORMATION

Model	Housing Color	Options
LEDR5WP	Blank White B Black G Gray	SDT Self diagnostic

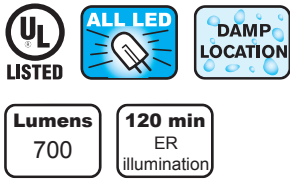
## PACKING INFORMATION

Pieces per master	Box Dimensions (cm)	CBM (Master)	Gross weight (Kg)
6	45.2x34x27.5	0.0422	7

### NOTES:

- AC input and battery output include fuse to prevent fire from overload current. Once current is overloaded the fuse will break and needs to be replaced by a professional.
- Batteries must be charged every 18 months to ensure product conservation.
- Specifications and dimensions subject to change without notice.

STANDARD



### ILLUMINATION

- Long lasting, efficient ultra-bright white LED lamp heads.
- Total watts 9w (3 LEDs per head) total 700 lumen output.
- Adjustable LED lamp heads provide optimal center-to-center spacing.

### ELECTRICAL

- Universal Voltage 120V-277V 50-60Hz
- PF <0.4
- Charge rate/power "ON" LED indicator light and push to test switch for mandated code compliance testing.
- 6V4.5AH long-life, lead acid battery, 200 cycles.
- Internal solid-state transfer switch automatically connects the internal battery to LED lamp heads for 90 minutes minimum /120 minutes maximum emergency illumination.
- Fully automatic solid-state, two-rate charger initiates battery charging to recharge a discharged battery in 24 hours.
- Low voltage battery disconnection preventing deep discharge damage to the battery.

### MOUNTING

- Universal J-box mountin pattern
- Suitable for wall mount applications

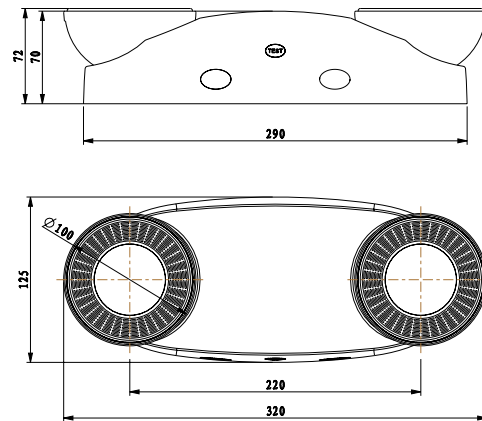
### HOUSING

- Injection-molded, engineered grade 5VA flame retardant, high-impact resistant, thermoplastic in white finish. Flame retardant rating up to 850C.

### WARRANTY/LISTING

- Five year warranty on all electronics and housing. Batteries two years.
- UL listed for indoor damp locations. (0°C – 40°C)
- Meets UL924, NFPA 101, NEC and OSHA illumination standards.

### DIMENSIONS (MM)



### ORDERING INFORMATION

Model	Housing Color	Options
LEDR6	White	SDT Self diagnostic

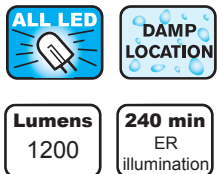
### PACKING INFORMATION

Pieces per master	Box Dimensions (cm)	CBM (Master)	Gross weight (Kg)
6	35x29x26	0.0263	9.4

NOTES:

- AC input and battery output include fuse to prevent fire from overload current. Once current is overloaded the fuse will break and needs to be replaced by a professional.
- Damp location is only for low or high temperature operation not for dust-proof or water-proof.
- Batteries must be charged every 6 months to ensure product conservation.
- Specifications and dimensions subject to change without notice.

## STANDARD



## ILLUMINATION

- Long lasting, efficient ultra-bright white LED lamp heads.
- Total watts 10w (10 LEDs per head) total 1200 lumen output.
- Adjustable LED lamp heads provide optimal center-to-center spacing.

## ELECTRICAL

- Universal Voltage 120V-277V 50-60Hz
- PF <0.4
- Charge rate/power "ON" LED indicator light and push to test switch for mandated code compliance testing.
- 6V4.5Ah long-life, Lead Acid battery, 200 cycles.
- Internal solid-state transfer switch automatically connects the internal battery to LED lamp heads for maximum 240 minute emergency illumination.
- Fully automatic solid-state, two-rate charger initiates battery charging to recharge a discharged battery in 24 hours.
- Low voltage battery disconnection preventing deep discharge damage to the battery.

## MOUNTING

- Universal J-box mountin pattern
- Suitable for wall mount applications

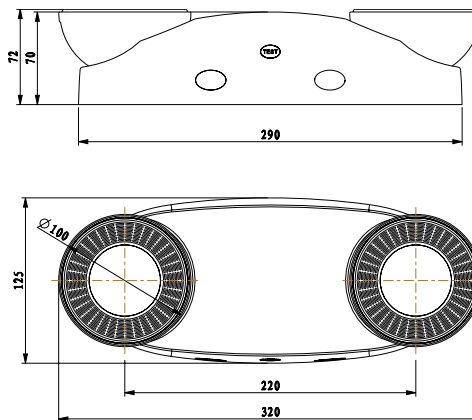
## HOUSING

- Injection-molded, engineered grade high-impact resistant, thermoplastic in white finish.
- Flame retardant rating up to 850C.

## WARRANTY/LISTING

- Five year warranty on all electronics and housing. Batteries two years.
- For indoor damp locations. (0°C – 40°C)

## DIMENSIONS (MM)



## ORDERING INFORMATION

Model	Housing Color	Options
LEDR6H	White	SDT Self diagnostic

## PACKING INFORMATION

Pieces per master	Box Dimensions (cm)	CBM (Master)	Gross weight (Kg)
6	35x29x26	0.0263	9.4

## NOTES:

- AC input and battery output include fuse to prevent fire from overload current. Once current is overloaded the fuse will break and needs to be replaced by a professional.
- Damp location is only for low or high temperature operation not for dust-proof or water-proof.
- Batteries must be charged every 6 months to ensure product conservation.
- Specifications and dimensions subject to change without notice.

STANDARD



### ILLUMINATION

- Long lasting, efficient ultra-bright white LED lamp heads.
- Total watts 2, total 200 lumen output.
- Adjustable LED lamp heads provide optimal center-to-center spacing.

### ELECTRICAL

- Universal Voltage 120V-277V 50-60Hz
- PF <0.4
- Charge rate/power "ON" LED indicator light and push to test switch for mandated code compliance testing.
- 3.6V1000AH long-life, NI-MH battery, 500 cycles.
- Internal solid-state transfer switch automatically connects the internal battery to LED lamp heads for 90 minutes minimum /160 minutes maximum emergency illumination.
- Fully automatic solid-state, two-rate charger initiates battery charging to recharge a discharged battery in 24 hours.
- Low voltage battery disconnection preventing deep discharge damage to the battery.

### MOUNTING

- Universal J-box mountin pattern
- Suitable for wall mount applications

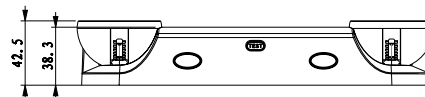
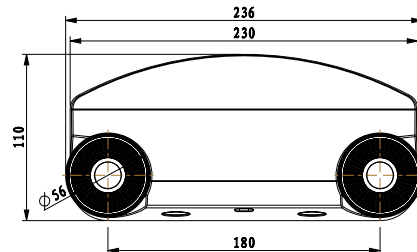
### HOUSING

- Injection-molded, engineered grade 5VA flame retardant, high-impact resistant, thermoplastic in white finish. Flame retardant rating up to 850C.

### WARRANTY/LISTING

- Five year warranty on all electronics and housing. Batteries pro-rated for five years.
- UL listed for indoor damp locations. (0°C – 40°C)
- Meets UL924, NFPA 101, NEC and OSHA illumination standards.

### DIMENSIONS (MM)



### ORDERING INFORMATION

Model	Housing Color
LEDR7	White

### PACKING INFORMATION

Pieces per master	Box Dimensions (cm)	CBM (Master)	Gross weight (Kg)
12	38.5 x 26 x 22	0.0220	7.5

NOTES:

- AC input and battery output include fuse to prevent fire from overload current. Once current is overloaded the fuse will break and needs to be replaced by a professional.
- Damp location is only for low or high temperature operation not for dust-proof or water-proof.
- Batteries must be charged every 18 months to ensure product conservation.
- Specifications and dimensions subject to change without notice.

## STANDARD



**Lumens**  
200

**150 min**  
ER  
illumination



## ILLUMINATION

- Long lasting, efficient ultra-bright white LED lamp heads.
- Total watts 2, total 200 lumen output.
- High-performance chrome-plated metalized reflector and plastic lens for optimal light distribution.
- Adjustable LED lamp heads provide optimal center-to-center spacing.

## ELECTRICAL

- Universal Voltage 120V-277V 50-60Hz
- PF <0.4
- Charge rate/power "ON" LED indicator light and push to test switch for mandated code compliance testing.
- 3.6V 1000mAH long-life, maintenance-free, rechargeable Ni-MH battery, 500 cycles.
- Internal solid-state transfer switch automatically connects the internal battery to LED lamp heads for 90 minutes minimum /150 minutes maximum emergency illumination.
- Fully automatic solid-state, two-rate charger initiates battery charging to recharge a discharged battery in 24 hours.
- Low voltage battery disconnection preventing deep discharge damage to the battery.

## MOUNTING

- Universal mounting plate with EZ quick connect for rapid installation.
- Suitable for wall or ceiling mount

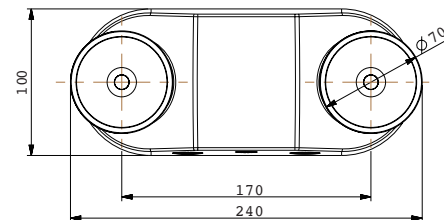
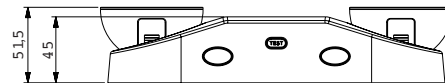
## HOUSING

- Injection-molded, engineered grade high-impact resistant, thermoplastic in white finish. Flame retardant rating up to 850C.

## WARRANTY/LISTING

- Five year warranty on all electronics and housing. Batteries three years.
- Suitable for use indoors damp location temp (0°C – 40°C)

## DIMENSIONS (MM)



## ORDERING INFORMATION

Model	Housing Color
LEDR8	White

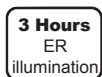
## PACKING INFORMATION

Pieces per master	Box Dimensions (cm)	CBM (Master)	Gross weight (Kg)
12	35 x 26 x 25	0.0227	5

## NOTES:

- AC input and battery output include fuse to prevent fire from overload current. Once current is overloaded the fuse will break and needs to be replaced by a professional.
- Damp location is only for low or high temperature operation not for dust-proof or water-proof.
- Batteries must be charged every 18 months to ensure product conservation.
- Specifications and dimensions subject to change without notice.

## STANDARD



AL585050



AL585051 / AL585052

### ILLUMINATION

- Long lasting, efficient ultra-bright white LED lamp heads.
- AL585050 = Total watts 10 (20 LEDs per head) total 1100 lumens  
AL585051 = Total watts 5 (28 LEDs per head) total 650 lumens  
AL585052 = Total watts 3.5 (28 LEDs per head) total 400 lumens
- High-performance chrome-plated metalized reflector and plastic lens for optimal light distribution.
- Adjustable LED lamp heads provide optimal center-to-center spacing.

### ELECTRICAL

- Universal Voltage 120-277V 50/60Hz
- PF <0.4
- Charge rate/power "ON" LED indicator light
- 1100 Lumens = LifePO4 battery, 1500 cycles  
600/450 Lumens = Ni-cd battery, 500 cycles
- Internal solid-state transfer switch automatically connects the internal battery to LED lamp heads.
- Fully automatic solid-state, two-rate charger initiates battery charging to recharge a discharged battery in 24 hours.
- Low voltage battery disconnection preventing deep discharge damage to the battery.

### MOUNTING

- Suitable for wall mount.

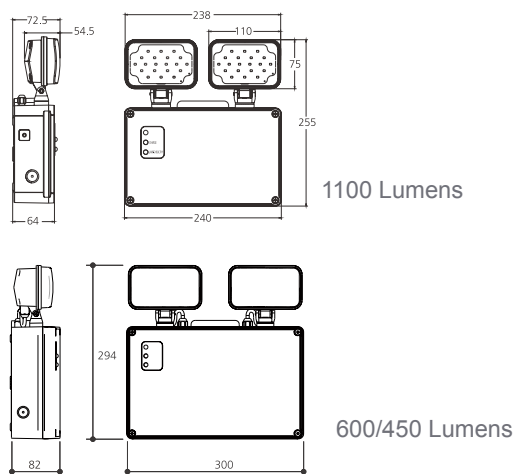
### HOUSING

- Clear polycarbonate diffuser and ABS housing.  
Flame retardant rating up to 850C.

### WARRANTY/LISTING

- Five year warranty on all electronics and housing.  
Batteries three years.
- Listed for outdoor wet locations. (-0°C – 40°C)

### DIMENSIONS (MM)



## ORDERING INFORMATION

Model	Lumens	Battery	Housing Color	Options
AL585050	1100	12.8V/3000 mAh LifePO4	White	SDT Self diagnostic
AL585051	650	12V/2800 mAh Ni-Cad		
AL585052	400	12V/1500 mAh Ni-Cad		

## PACKING INFORMATION

Model	Pieces per master	Box Dimensions (cm)	CBM (Master)	Gross weight (Kg)
AL585050	6	45x26.5x28.5	0.0339	9
AL585051 / AL585052	5	44x32x32	0.0450	10

### NOTES:

- AC input and battery output include fuse to prevent fire from overload current. Once current is overloaded the fuse will break and needs to be replaced by a professional.
- Batteries must be charged every 18 months to ensure product conservation.
- Specifications and dimensions subject to change without notice.

## IP65 POLYCARBONATE EMERGENCY UNIT

STANDARD



### ILLUMINATION

- Sealed and gasketed weather proof lamp heads with high performance chrome-plated metallized reflector and tempered glass lenses for optimal light distribution.
- Long lasting efficient ultra bright white LED lamp heads.
- Total watts 3.9 watt (12 LEDs per head)
- Luminous Flux: total 330 lumen output

### ELECTRICAL

- Dual Voltage 120/277V 60Hz standard, 120/220v 60/50Hz optional.
- PF <0.4
- Charge rate/power "ON" LED indicator light and push-to-test switch for mandated code compliance testing.
- 6V 2.5Ah long life, maintenance-free, rechargeable sealed lead acid battery, 200 cycles.
- Internal solid-state transfer switch automatically connects the internal battery to LED lamp heads for maximum 150 minute emergency illumination.
- Fully automatic solid-state, two rate charger initiates battery charging to recharge a discharged battery in 24 hours.

### MOUNTING

- External mounting brackets for simplified surface mounting.
- Knockout for conduit applications.

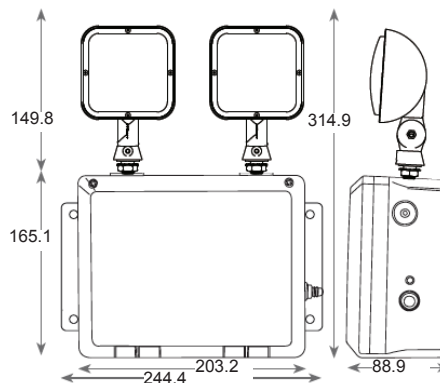
### HOUSING

- Injection-molded, engineered grade high-impact resistant, thermoplastic in gray finish. Flame retardant rating up to 850C.
- Sealed and gasketed housing with hinged cover.
- Sealed test switch.

### WARRANTY/LISTING

- Five year warranty on all electronics and housing Batteries two years.
- Suitable for use in ambient temp (0°C – 40°C)

### DIMENSIONS (MM)



### ORDERING INFORMATION

Model	Housing Color	Option
WFX	Blank Gray B Black	2 120/220v HT Heater Pad for -20°C to 40°C

### PACKING INFORMATION

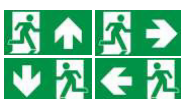
Pieces per master	Box Dimensions (cm)	CBM (Master)	Gross weight (Kg)
2	25.5 x28.5x 34.8	0.0252	10

#### NOTES:

- AC input and battery output include fuse to prevent fire from overload current. Once current is overloaded the fuse will break and needs to be replaced by a professional.
- Batteries must be charged every 6 months to ensure product conservation.
- Specifications and dimensions subject to change without notice.

**STANDARD**

<b>IP20</b>	<b>Lumens</b> 85	<b>3 hours</b> ER Illumination
-------------	---------------------	--------------------------------------



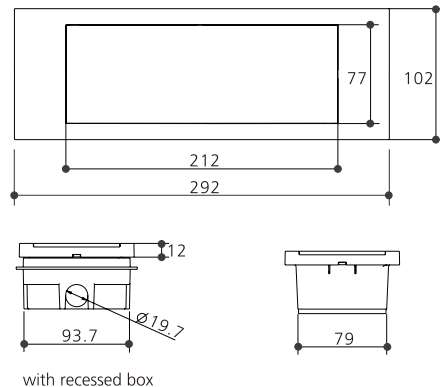
Multi-directional stickers

Recessed Box

### PRODUCT OVERVIEW

Slim Emergency light surface or recessed with box accessory. Clear Polycarbonate diffuser & ABS housing. LEDs are located on the side making the display smooth. 20 SMD LED 2835. 3 Hour ER mode operation despite non-maintained or maintained operation (see notes). For indoor use only. Multi-directional stickers optional.

### DIMENSIONS (MM)



### SPECIFICATIONS

<b>Mode of operation</b>	Non-Maintained / Maintained
<b>Voltage</b>	100-240V 50/60Hz
<b>Power Consumption</b>	3.8W Max
<b>PF</b>	<0.4
<b>Output Voltage</b>	DC 5V ±0.5V
<b>Output Power</b>	1.2W
<b>Lumen Output</b>	85 lm max
<b>CCT</b>	6500K±500K
<b>Battery</b>	3.7V2000 Ah Li-ion battery (200 cycles)
<b>Max Charge Current (mA)</b>	100MA
<b>Max Discharge Current (mA)</b>	280MA
<b>Battery charge time</b>	24 hrs
<b>Battery discharge time</b>	3 hrs
<b>Warranty</b>	5 years for electrical parts and housing 2 years for battery

Notes:  
*Maintained mode:* The lights are on regardless of AC or DC mode.  
*Non-maintained mode:* The lights only come on when the power is off.

### ORDERING INFORMATION

Model	Housing Color	Options
AL585040	White	<b>Blank</b> Without recessed box
AL585041 (Recessed Box)		<b>S</b> Multi-directional Stickers

### PACKING INFORMATION

Model	CBM	Pieces per master	Box Dimensions (cm)	Gross weight (Kg)
Fixture	0.0240	10	32 x 31 x 24	7.6
Fixture with Box	0.0285	10	33.5 X 31.5 X 27	8.5
Recessed Box	0.0240	10	32 X 31 X 24	5

**NOTES:**

- AC input and battery output include fuse to prevent fire from overload current. Once current is overloaded the fuse will break and needs to be replaced by a professional.
- Batteries must be charged every 6 months to ensure product conservation.
- Specifications and dimensions subject to change without notice.

STANDARD

IP65

Lumens  
up to  
600

3 hours  
ER  
Illumination

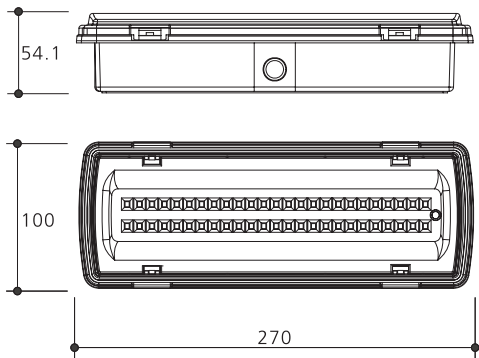


Multi-directional stickers

### PRODUCT OVERVIEW

Slim Emergency surface light. Clear Polycarbonate diffuser & ABS housing. LEDs are located on the side making the display smooth. 50 SMD LED 2835. 3 Hour ER mode operation despite non-maintained or maintained operation (see notes). For indoor and outdoor use. Multi-directional stickers optional.

### DIMENSIONS (MM)



### SPECIFICATIONS

<b>Mode of operation</b>	Non-Maintained / Maintained
<b>Voltage</b>	120-277V 50/60Hz
<b>Power Consumption</b>	3W Max
<b>PF</b>	>0.4
<b>Output Voltage</b>	9.5V
<b>Output Power</b>	7.5W
<b>Power Factor</b>	0.4
<b>THD</b>	143%
<b>CRI</b>	>70
<b>Lumen Output</b>	up to 600 lumens
<b>CCT</b>	6500K±500K
<b>Battery</b>	7.4V2200 mAh Li-ion battery (200 Cycles)
<b>Max Charge Current (mA)</b>	220mA
<b>Max Discharge Current (mA)</b>	700mA
<b>Battery charge time</b>	24 hrs
<b>Battery discharge time</b>	up to 3 hrs

Notes:

*Maintained mode:* The lights are on regardless of AC or DC mode.

*Non-maintained mode:* The lights only come on when the power is off.

### ORDERING INFORMATION

Model	Housing Color	Options
AL585042	White	SDT Self-Diagnostic S Multi-directional Stickers

### PACKING INFORMATION

Model	CBM	Pieces per master	Box Dimensions (cm)	Gross weight (Kg)
AL585042	0.0385	12	41.5 x 31 x 30	8

NOTES:

- AC input and battery output include fuse to prevent fire from overload current. Once current is overloaded the fuse will break and needs to be replaced by a professional.
- Damp location is only for low or high temperature operation not for dust-proof or water-proof.
- Batteries must be charged every 6 months to ensure product conservation.
- Specifications and dimensions subject to change without notice.

**STANDARD**

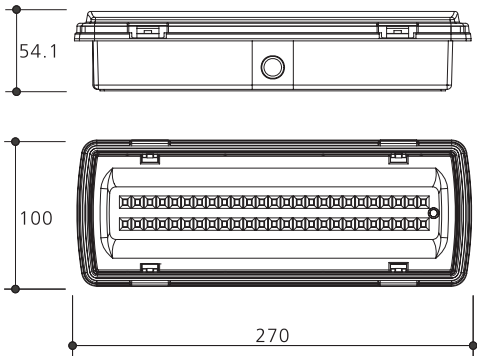


Multi-directional stickers

**PRODUCT OVERVIEW**

Slim Emergency surface light. Clear Polycarbonate diffuser & ABS housing. LEDs are located on the side making the display smooth. 50 SMD LED 2835. 3 Hour ER mode operation despite non-maintained or maintained operation (see notes). For indoor and outdoor use. Multi-directional stickers optional.

**DIMENSIONS (MM)**



**SPECIFICATIONS**

<b>Mode of operation</b>	Non-Maintained / Maintained
<b>Voltage</b>	120-277V 50/60Hz
<b>Power Consumption</b>	AC 2W Max
<b>PF</b>	> 0.4
<b>Output Voltage</b>	4.5V
<b>Output Power</b>	1.5W Max
<b>Lumen Output</b>	400 lumens
<b>CCT</b>	6500K±500K
<b>Battery</b>	3.2V4000 mAh LIFE PO4 battery (1500 cycles)
<b>Max Charge Current (mA)</b>	280mA
<b>Max Discharge Current (mA)</b>	DC 1100mA
<b>Battery charge time</b>	24 hrs
<b>Battery discharge time</b>	up to 3 hrs
<b>Shelf life</b>	1500 battery cycles
<b>Warranty</b>	5 years for electrical parts and housing 2 years for battery

**Notes:**

*Maintained mode:* The lights are on regardless of AC or DC mode.

*Non-maintained mode:* The lights only come on when the power is off.

**ORDERING INFORMATION**

Model	Housing Color	Options
AL585039	White	<b>SDT</b> Self-Diagnostic <b>S</b> Multi-directional Stickers

**PACKING INFORMATION**

Model	CBM	Pieces per master	Box Dimensions (cm)	Gross weight (Kg)
AL585039	0.0385	12	41.5 x 31 x 30	8

**NOTES:**

- AC input and battery output include fuse to prevent fire from overload current. Once current is overloaded the fuse will break and needs to be replaced by a professional.
- Damp location is only for low or high temperature operation not for dust-proof or water-proof.
- Batteries must be charged every 6 months to ensure product conservation.
- Specifications and dimensions subject to change without notice.

## Round Beam

### STANDARD



IP20

Lumens  
up to  
170

2 hours  
ER  
illumination



### ILLUMINATION

- 170 lumen output
- Color temperature 6000K
- \*Beam angle 120° / Round for open areas
- CRI ≥ 80
- Power consumption 3.5w
- LED SMD3030-3w\*1PC

### ELECTRICAL

- Universal Voltage 120V-277V 50-60Hz
- PF <0.4
- Output voltage 5.5V
- Output power 1.5w
- Max charge current 400mA
- Max discharge current 550mA
- Charge rate/power "ON" LED indicator light and push to test switch for mandated code compliance testing
- 3.7V 1500mAh long-life, Li-ion Battery, 200 cycles
- Internal solid-state transfer switch automatically connects the internal battery to LED lamp for minimum 2 hour emergency illumination
- Fully automatic solid-state, two-rate charger initiates battery charging to recharge a discharged battery in 24 hours
- Low voltage battery disconnection preventing deep discharge damage to the battery

### MOUNTING

- Ceiling mount

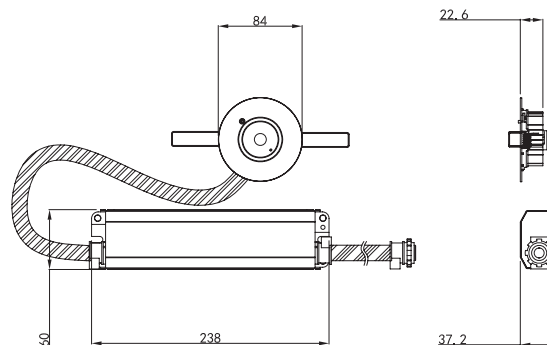
### HOUSING

- Injection-molded, polycarbonate housing UL94V-0 flame rating, fire retardant.

### WARRANTY/LISTING

- Five year warranty on all electronics and housing. Batteries 3 years.
- Working Temp 0°C – 40°C

### DIMENSIONS (MM)



### ORDERING INFORMATION

Model	Housing Color	Beam angle option	CCT
AL585031	White	Blank 120° (with lens) 5 150° (without lens)	Blank 6000K 4 4000K (140lm, CRI70)

### PACKING INFORMATION

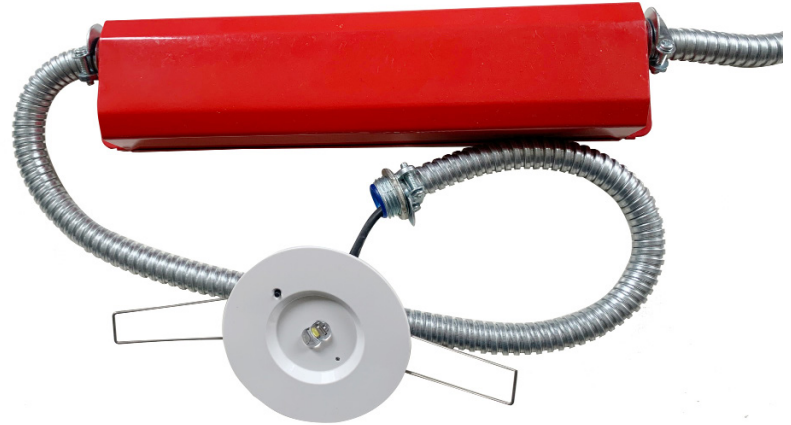
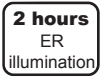
Pieces per master	Box Dimensions (cm)	CBM (Master)	Gross weight (Kg)
10	39x22x28.5	0.0244	4.3

#### NOTES:

- AC input and battery output include fuse to prevent fire from overload current. Once current is overloaded the fuse will break and needs to be replaced by a professional.
- Batteries must be charged every 6 months to ensure product conservation.
- Specifications and dimensions subject to change without notice.

## Long Narrow Beam

### STANDARD



### ILLUMINATION

- 170 lumen output
- Color temperature 6000K
- Beam angle 65°x130° with lens, long narrow for a placement inter-distance in places such as corridors, achieving adequate lighting in evacuation routes.
- CRI ≥ 80
- Power consumption 3.5w
- LED SMD3030-3w\*1PC

### ELECTRICAL

- Universal Voltage 120V-277V 50-60Hz
- PF <0.4
- Output voltage 5.5V
- Output power 1.5w
- Max charge current 400mA
- Max discharge current 550mA
- Charge rate/power "ON" LED indicator light and push to test switch for mandated code compliance testing
- 3.7V 1500mAh long-life, Li-ion Battery, 200 cycles
- Internal solid-state transfer switch automatically connects the internal battery to LED lamp for minimum 2 hour emergency illumination
- Fully automatic solid-state, two-rate charger initiates battery charging to recharge a discharged battery in 24 hours
- Low voltage battery disconnection preventing deep discharge damage to the battery

### MOUNTING

- Ceiling mount

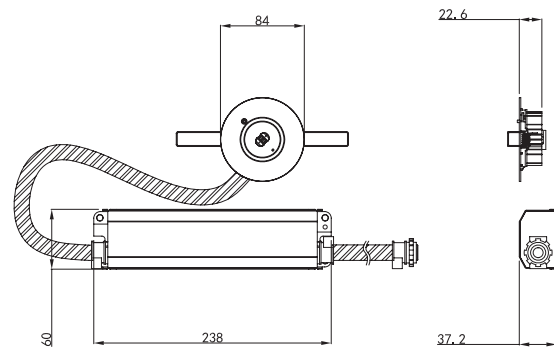
### HOUSING

- Injection-molded, polycarbonate housing UL94V-0 flame rating, fire retardant
- Battery: Durable heavy duty steel housing

### WARRANTY/LISTING

- Five year warranty on all electronics and housing. Batteries 2 years.
- Working Temp 0°C – 40°C

### DIMENSIONS (MM)



### ORDERING INFORMATION

Model	Housing Color	CCT
AL585033	White	Blank 6000K 4 4000K (140lm, CRI 70)

### PACKING INFORMATION

Pieces per master	Box Dimensions (cm)	CBM (Master)	Gross weight (Kg)
10	39x22x28.5	0.0244	4.3

### NOTES:

- AC input and battery output include fuse to prevent fire from overload current. Once current is overloaded the fuse will break and needs to be replaced by a professional.
- Batteries must be charged every 6 months to ensure product conservation.
- Specifications and dimensions subject to change without notice.

## Round Beam

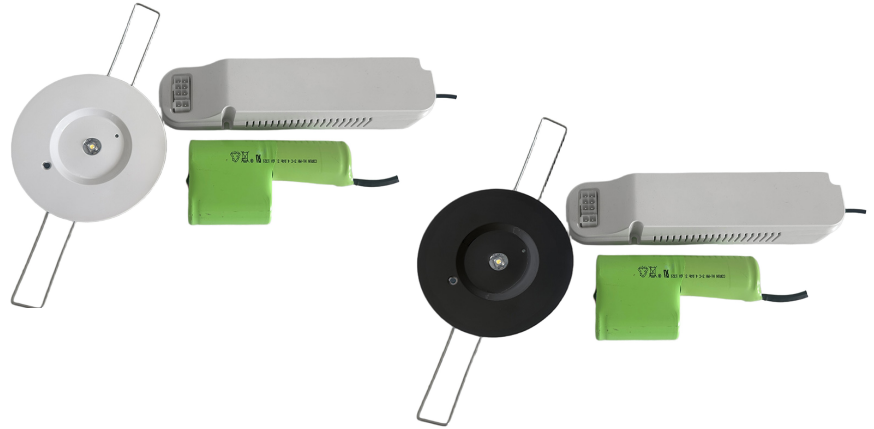
### STANDARD



IP20

**Lumens**  
up to  
500

**3 hours**  
ER  
illumination



### ILLUMINATION

- up to 500 lumen output / 5% Lumen tolerance
- Color temperature 6000K
- \*Beam angle 120° / Round for open areas
- CRI ≥ 80
- Power consumption 3w
- LED SMD3030 5w\*1PC

### ELECTRICAL

- Universal Voltage 120V-277V 50-60Hz
- PF <0.4
- Output voltage 3.6V
- Output power 4w
- Max charge current 300mA
- Max discharge current 1450mA
- Charge rate/power "ON" LED indicator light and push to test switch for mandated code compliance testing
- 3.6V 4000mAh long-life, Ni-MH Battery , 500 cycles
- Internal solid-state transfer switch automatically connects the internal battery to LED lamp up to 3 hours emergency illumination
- Fully automatic solid-state, two-rate charger initiates battery charging to recharge a discharged battery in 24 hours
- Low voltage battery disconnection preventing deep discharge damage to the battery

### MOUNTING

- Ceiling mount

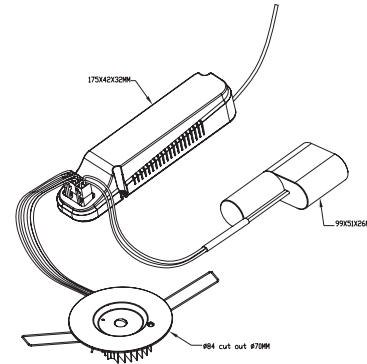
### HOUSING

- Injection-molded, polycarbonate housing UL94V-0 flame rating, fire retardant.

### WARRANTY/LISTING

- Five year warranty on all electronics and housing. Batteries 3 years.
- Working Temp 0°C – 40°C

### DIMENSIONS (MM)



### ORDERING INFORMATION

Model	Housing Color	Options	CCT
AL585035	Blank White	Blank 120° (with lens)	Blank 6000K
	B Black	5 150° (without lens)	4 4000K (300lm, CRI 70)

### PACKING INFORMATION

Pieces per master	Box Dimensions (cm)	CBM (Master)	Gross weight (Kg)
10	47.5x34.5x24.5	0.0400	4.3

### NOTES:

- AC input and battery output include fuse to prevent fire from overload current. Once current is overloaded the fuse will break and needs to be replaced by a professional.
- Batteries must be charged every 18 months to ensure product conservation.
- Specifications and dimensions subject to change without notice.

## Long Narrow Beam

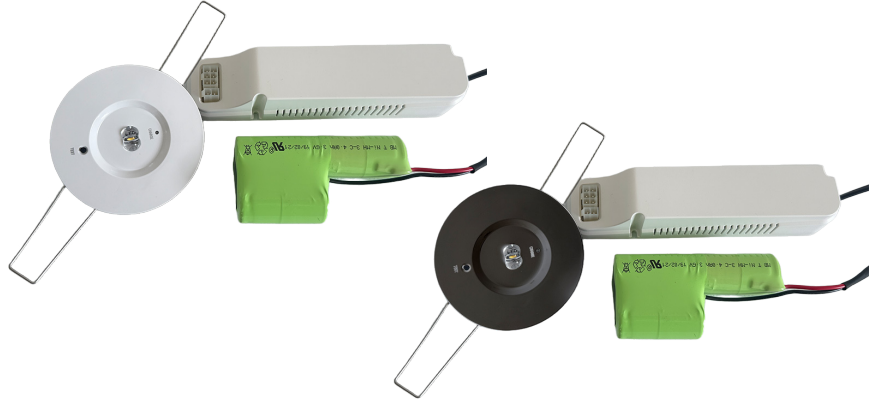
### STANDARD



IP20

**Lumens**  
up to  
500

**3 hours**  
ER  
illumination



### ILLUMINATION

- up to 500 lumen output / 5% Lumen tolerance
- Color temperature 6000K
- Beam angle 65°x130° with lens, long narrow for a placement inter-distance in places such as corridors, achieving adequate lighting in evacuation routes.
- CRI ≥ 80
- Power consumption 3w
- LED SMD3030 5w\*1PC

### ELECTRICAL

- Universal Voltage 120V-277V 50-60Hz
- PF <0.4
- Output voltage 3.6V
- Output power 4w
- Max charge current 300mA
- Max discharge current 1450mA
- Charge rate/power "ON" LED indicator light and push to test switch for mandated code compliance testing
- 3.6V 4000mAh long-life, Ni-MH Battery, 500 cycles
- Internal solid-state transfer switch automatically connects the internal battery to LED lamp up to 3 hours emergency illumination
- Fully automatic solid-state, two-rate charger initiates battery charging to recharge a discharged battery in 24 hours
- Low voltage battery disconnection preventing deep discharge damage to the battery

### MOUNTING

- Ceiling mount

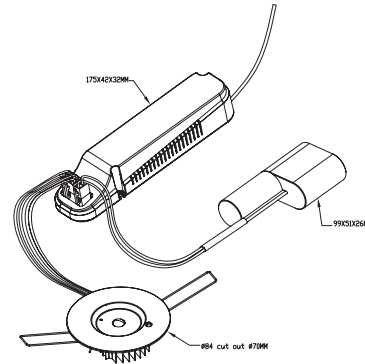
### HOUSING

- Injection-molded, polycarbonate housing UL94V-0 flame rating, fire retardant.

### WARRANTY/LISTING

- Five year warranty on all electronics and housing. Batteries 3 years.
- Working Temp 0°C – 40°C

### DIMENSIONS (MM)



### ORDERING INFORMATION

Model	Housing Color	CCT
AL585036	Blank White B Black	Blank 6000K 4 4000K (300 lm, CRI 70)

### PACKING INFORMATION

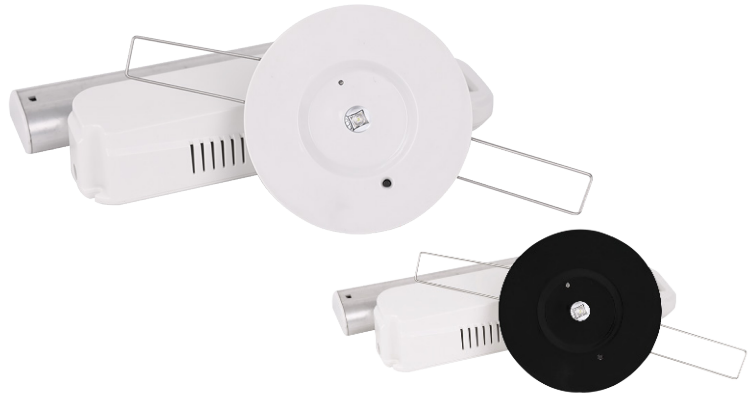
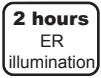
Pieces per master	Box Dimensions (cm)	CBM (Master)	Gross weight (Kg)
10	47.5x34.5x24.5	0.0400	4.3

#### NOTES:

- AC input and battery output include fuse to prevent fire from overload current. Once current is overloaded the fuse will break and needs to be replaced by a professional.
- Batteries must be charged every 18 months to ensure product conservation.
- Specifications and dimensions subject to change without notice.

## Round Beam

### STANDARD



### ILLUMINATION

- 170 lumen output
- Color temperature 6000K
- \*Beam angle 120° / Round for open areas
- CRI ≥ 80
- Power consumption 3.5w
- LED SMD3030 3w\*1PC

### ELECTRICAL

- Universal Voltage 120V-277V 50-60Hz
- PF <0.4
- Output voltage 5.5V
- Output power 1.5w
- Max charge current 400mA
- Max discharge current 450mA
- Charge rate/power "ON" LED indicator light and push to test switch for mandated code compliance testing
- 3.7V 1500mAh long-life, Li-ion Battery , 200 cycles
- Internal solid-state transfer switch automatically connects the internal battery to LED lamp for minimum of 2 hours emergency illumination
- Fully automatic solid-state, two-rate charger initiates battery charging to recharge a discharged battery in 24 hours
- Low voltage battery disconnection preventing deep discharge damage to the battery

### MOUNTING

- Ceiling mount

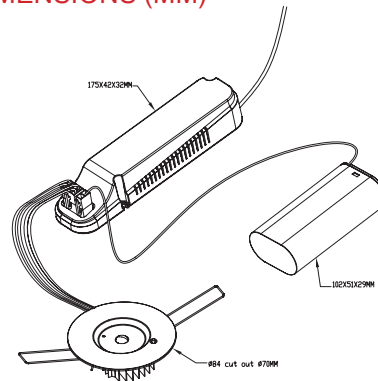
### HOUSING

- Injection-molded, polycarbonate housing UL94V-0 flame rating, fire retardant.

### WARRANTY/LISTING

- Five year warranty on all electronics and housing. Batteries 2 years.
- Working Temp 0°C – 40°C

### DIMENSIONS (MM)



### ORDERING INFORMATION

Model	Housing Color	Options	CCT
AL585030	Blank White	Blank 120° (with lens)	Blank 6000K
	B Black	5 150° (without lens)	4 4000K (140lm, CRI 70)

### PACKING INFORMATION

Pieces per master	Box Dimensions (cm)	CBM (Master)	Gross weight (Kg)
10	47.5x34.5x24.5	0.0400	4.3

#### NOTES:

- AC input and battery output include fuse to prevent fire from overload current. Once current is overloaded the fuse will break and needs to be replaced by a professional.
- Batteries must be charged every 6 months to ensure product conservation.
- Specifications and dimensions subject to change without notice.

## Long Narrow Beam

### STANDARD



IP20

**Lumens**  
up to  
170

**2 hours**  
ER  
illumination



### ILLUMINATION

- 170 lumen output
- Color temperature 6000K
- Beam angle 65°x130° with lens, long narrow for a placement inter-distance in places such as corridors, achieving adequate lighting in evacuation routes.
- CRI ≥ 80
- Power consumption 3.5w
- LED SMD3030 3w\*1PC

### ELECTRICAL

- Universal Voltage 120V-277V 50-60Hz
- PF <0.4
- Output voltage 5.5V
- Output power 1.5w
- Max charge current 400mA
- Max discharge current 450mA
- Charge rate/power "ON" LED indicator light and push to test switch for mandated code compliance testing
- 3.7V 1500mAh long-life, Li-ion battery, 200 cycles
- Internal solid-state transfer switch automatically connects the internal battery to LED lamp for minimum of 2 hours emergency illumination
- Fully automatic solid-state, two-rate charger initiates battery charging to recharge a discharged battery in 24 hours
- Low voltage battery disconnection preventing deep discharge damage to the battery

### MOUNTING

- Ceiling mount

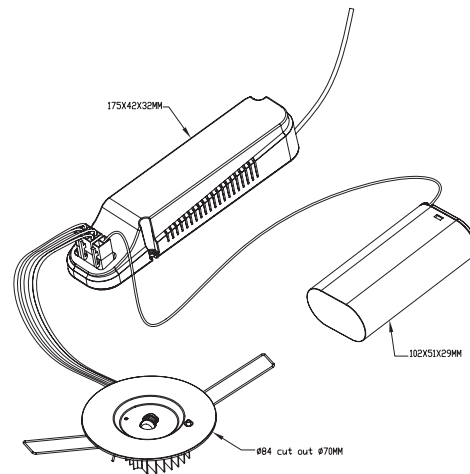
### HOUSING

- Injection-molded, polycarbonate housing UL94V-0 flame rating, fire retardant.

### WARRANTY/LISTING

- Five year warranty on all electronics and housing. Batteries 3 years.
- Working Temp 0°C – 40°C

### DIMENSIONS (MM)



### ORDERING INFORMATION

Model	Housing Color	CCT
AL585032	Blank B White Black	Blank 4 6000K 4000K (140 lm, CRI 70)

### PACKING INFORMATION

Pieces per master	Box Dimensions (cm)	CBM (Master)	Gross weight (Kg)
10	47.5x34.5x24.5	0.0400	4.3

#### NOTES:

- AC input and battery output include fuse to prevent fire from overload current. Once current is overloaded the fuse will break and needs to be replaced by a professional.
- Batteries must be charged every 6 months to ensure product conservation.
- Specifications and dimensions subject to change without notice.



## THIN THERMOPLASTIC BI-COLOR LED EXIT SIGN

### STANDARD



### ILLUMINATION

- Ultra bright, energy efficient, long life Red or Green LED.
- Red or Green Selectable. (Color Selectable switch to choose RED or GREEN) Interchangeable color lenses included.

### ELECTRICAL

- Dual Voltage 120V/277V 50/60Hz
- PF <0.4
- Charge rate/power "ON" LED indicator light and push-to-test switch for mandated code compliance testing.
- 1.2V 1000mAH Long life, maintenance-free, rechargeable Ni-MH battery, 500 cycles.
- Internal solid-state transfer switch automatically connects the internal battery to LED board for minimum 90-minute emergency illumination.
- Fully automatic solid-state, two rate charger initiates battery charging to recharge a discharged battery in 24 hours.

### MOUNTING

- Easy snap mounting canopy included for top or end mount.
- Universal K/O pattern on back plate for wall mount..

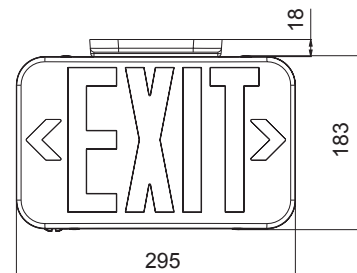
### HOUSING

- Injection-molded, thermoplastic ABS housing, UL 94V-0 flame rating.
- White or Black
- Aesthetically pleasing, curved face, rounded corner design.
- Easy snap-out chevron directional indicators.

### WARRANTY/LISTING

- Five year warranty on all electronics and housing. Batteries 3 years.
- Meets UL924, NFPA 101, NEC and OSHA illumination standards.
- UL listed for indoor damp locations (0°- 40°C).

### DIMENSIONS (MM)



### ORDERING INFORMATION

Model	No. of Faces	Housing Color	Battery	Options
EXRB	2 Universal Single / Double face	W White B Black	Blank Battery back up	S Salida SDT Self diagnostic

### PACKING INFORMATION

Pieces per master	Box Dimensions (cm)	CBM (Master)	Gross weight (Kg)
6	38.5x31.5x21.5	0.0260	6.8

### NOTES:

- SDT=No UL Listed
- Damp location is only for low or high temperature
- Operation not for dust-proof or water-proof
- Batteries must be charged every 18 months to ensure product conservation.
- Specifications and dimensions subject to change without notice.

## THIN THERMOPLASTIC LED EXIT SIGN

### STANDARD



### ILLUMINATION

- Ultra bright, energy efficient, long life Red or Green LED.

### ELECTRICAL

- Dual Voltage 120V/277V 50/60Hz
- PF <0.4
- Charge rate/power "ON" LED indicator light and push-to-test switch for mandated code compliance testing.
- 1.2V 900mAH Long life, maintenance-free, rechargeable NiCd battery, 500 cycles.
- Internal solid-state transfer switch automatically connects the internal battery to LED board for minimum 90-minute emergency illumination.
- Fully automatic solid-state, two rate charger initiates battery charging to recharge a discharged battery in 24 hours.

### MOUNTING

- Easy snap mounting canopy included for top or end mount.
- Universal K/O pattern on back plate for wall mount.

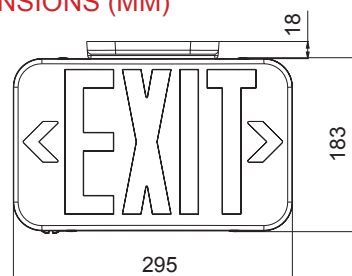
### HOUSING

- Injection-molded, engineering grade, 5VA flame retardant, high-impact resistant, thermoplastic in white or black finish.
- Aesthetically pleasing, curved face, rounded corner design.
- Easy snap-out chevron directional indicators.

### WARRANTY/LISTING

- Five year warranty on all electronics and housing. Batteries 3 years.
- Meets UL924, NFPA101 Life Safety Code, NEC and OSHA illumination standards.
- UL listed for indoor damp locations (0°- 40°C).

### DIMENSIONS (MM)



### ORDERING INFORMATION

Model	No. of Faces	LED Color	Housing Color	Battery	Options
AEZRXTU	1 Single face	R Red	W White	Blank AC Only	S Salida
	2 Universal Single / Double face	G Green	B Black	EM Battery backup	

### PACKING INFORMATION

Pieces per master	Box Dimensions (cm)	CBM (Master)	Gross weight (Kg)
6	38.5x31.5x21.5	0.0260	6.8

#### NOTES:

- Damp location is only for low or high temperature
- Operation not for dust-proof or water-proof
- Batteries must be charged every 18 months to ensure product conservation.
- Specifications and dimensions subject to change without notice.

# AEZXTEU

## LED EXIT SIGN

### STANDARD



### ILLUMINATION

- Ultra bright, energy efficient, long life Red or Green LED.

### ELECTRICAL

- Dual Voltage 120V/277V 50/60Hz
- PF <0.4
- Charge rate/power "ON" LED indicator light and push-to-test switch for mandated code compliance testing.
- 1.2V1000mAH Long life, maintenance-free, rechargeable NiCd battery, 500 cycles.
- Internal solid-state transfer switch automatically connects the internal battery to LED board for minimum 90-minute emergency illumination.
- Fully automatic solid-state, two rate charger initiates battery charging to recharge a discharged battery in 24 hours.

### MOUNTING

- EZ-snap mounting canopy included for top or end mount.
- Universal K/O pattern on back plate for wall mount.

### HOUSING

- Injection-molded, engineering grade, 5VA flame retardant, high-impact resistant, thermoplastic in white or black finish.
- Easy snap-out chevron directional indicators.
- Compact, low-profile design.

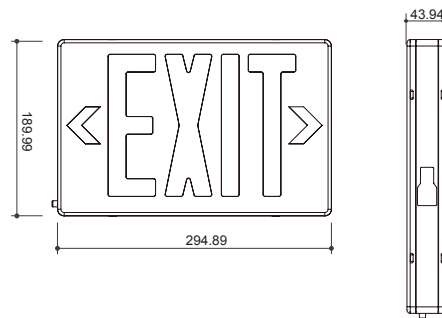
### OPTIONS

- STD: Self-diagnostic feature performs monthly and annual tests to ensure reliable operation and meet electrical and life safety codes.

### WARRANTY/LISTING

- Five year warranty on all electronics and housing. Batteries 3 years.
- Meets UL924, NFPA 101, NEC and OSHA illumination standards.
- UL listed for indoor damp locations (0°- 40°C).

### DIMENSIONS (MM)



### ORDERING INFORMATION

Model	No. of Faces	LED Color	Housing Color	Battery	Options
AEZXTEU	1 Single face	R Red	W White	Blank AC Only	S Salida
	2 Universal Single / Double face	G Green	B Black	EM Battery backup	SDT Self diagnostic

### PACKING INFORMATION

Pieces per master	Box Dimensions (cm)	CBM (Master)	Gross weight (Kg)
6	39x32.5x22.5	0.0285	8.2

#### NOTES:

- Damp location is only for low or high temperature
- Operation not for dust-proof or water-proof
- Batteries must be charged every 18 months to ensure product conservation.
- Specifications and dimensions subject to change without notice.

## ALUMINUM EDGELITE EXIT SIGN

### STANDARD



### ILLUMINATION

- Ultra-bright, energy efficient, long-life Red or Green LED.
- UV-stabilized ultra-clear acrylic edgelit panel provides consistent, uniform illumination.
- Double face utilizes factory installed silver or white mylar background panel.

### ELECTRICAL

- Dual Voltage 120/277V 50/60Hz
- PF <0.4
- Charge rate/power "ON" LED indicator light and push-to-test switch for mandated code compliance testing.
- 3.6V/600mAH long life, maintenance-free, rechargeable NiCd battery, 500 cycles.
- Internal solid-state transfer switch automatically connects the internal battery to LED board for minimum 180-minutes emergency illumination.
- Fully automatic solid-state, two-rate charger initiates battery charging to recharge a discharged battery in 24 hours.

### MOUNTING

- Aluminum mounting canopy included for top, end or back mount.

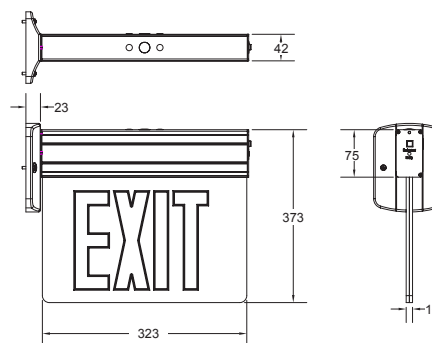
### HOUSING

- Premium-grade, extruded aluminum housing (also available in black or white powder-coated finishes).
- Self-adhesive chevron appliques and guide template provided for directional indication.

### WARRANTY

- Five year warranty on all electronics and housing. Batteries 3 years.
- Meets UL924, NFPA 101, NEC and OSHA illumination standards.
- UL listed for indoor damp locations (0°- 40°C).

### DIMENSIONS (MM)



### ORDERING INFORMATION

Model	No. of faces	Letter	Panel	Housing	Battery	Options
AELXTEU	1 Single Face 2 Double Face	R Red G Green	C Clear* M Mirror W White	A Aluminum	EM Battery Back up	S Salida (No UL)  SDT Self diagnostic

NOTES: \* Single Face Only

### PACKING INFORMATION

Pieces per master	Box Dimensions (cm)	CBM (Master)	Gross weight (Kg)
10	41x37x25.5	0.0386	8.4

### NOTES:

- Batteries must be charged every 18 months to ensure product conservation.
- Specifications and dimensions subject to change without notice.

## ROTATING PLASTIC EDGELITE EXIT SIGN

### STANDARD



### ILLUMINATION

- Ultra-bright, energy efficient, long-life Red or Green LED.
- UV-stabilized ultra-clear acrylic edgelit panel provides consistent, uniform illumination.
- Double face utilizes factory installed silver or white mylar background panel.

### ELECTRICAL

- Dual Voltage 120V/277V 50/60Hz
- PF <0.4
- Charge rate/power "ON" LED indicator light and push-to-test switch for mandated code compliance testing.
- 3.6V/500mAH long life, maintenance-free, rechargeable NiMh battery, 500 cycles.
- Internal solid-state transfer switch automatically connects the internal battery to LED board for minimum 90-minutes emergency illumination.
- Fully automatic solid-state, two-rate charger initiates battery charging to recharge a discharged battery in 24 hours.

### MOUNTING

- Plastic mounting canopy included for top, end or back mount.
- Panel rotates up to 180°

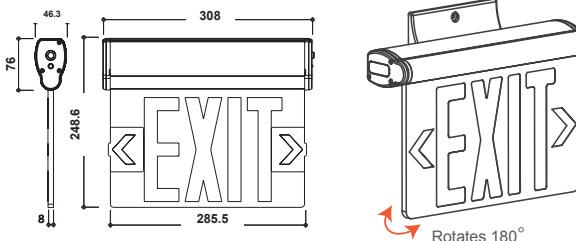
### HOUSING

- Injection-molded thermoplastic ABS housing, UL 94V-0 flame rating with high grade acrylic panel (also available in black or luminum finishes).
- Self-adhesive chevron appliques and guide template provided for directional indication.
- Removable front cover.

### WARRANTY

- Five year warranty on all electronics and housing. Batteries 3 years.
- Meets UL924, NFPA 101, NEC and OSHA illumination standards.
- UL listed for indoor damp locations (0°- 40°C).

### DIMENSIONS (MM)



### ORDERING INFORMATION

Model	No. of faces	Letter	Panel	Housing	Battery	Options
PELXTEU	1 Single Face	R Red	W White	Blank White	EM Battery Back up	S Salida (no UL)
	2 Double Face	G Green	M Mirror	A Aluminum		
			C Clear	B Black		

### PACKING INFORMATION

Pieces per master	Box Dimensions (cm)	CBM (Master)	Gross weight (Kg)
6	45x35x25	0.0393	8.7

### NOTES:

- Batteries must be charged every 18 months to ensure product conservation.
- Specifications and dimensions subject to change without notice.

## STANDARD



### ILLUMINATION

- Ultra-bright, energy efficient, long-life Red or Green LED.
- Energy efficient LED technology.
- Decals and template provides for chevron directional indicators.
- UV-stabilized ultra-clear or white acrylic edgelit panel provides consistent, uniform illumination.

### ELECTRICAL

- 110V-130V / 50/60Hz
- PF <0.4
- Power Consumption: 2w
- Charge rate/power "ON" LED indicator light and push-to-test switch for mandated code compliance testing.
- LVD (low voltage disconnect) prevents battery from deep discharge.
- 3.6V 500mAH maintenance-free, rechargeable Ni-CAD battery, 500 cycles.
- Internal solid-state transfer switch automatically connects the internal battery to LED board for minimum 3 hours emergency illumination.
- Fully automatic solid-state, two-rate charger initiates battery charging to recharge a discharged battery in 24 hours.

### HOUSING

- PMMA Panel & ABS Housing in white finish.

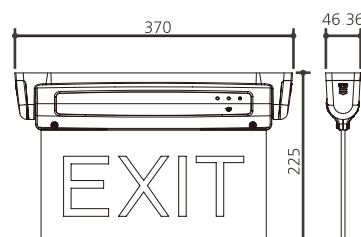
### OPTIONS

- Edgelit Salida panels available to order separately (contact customer service).

### WARRANTY

- Five year warranty on all electronics and housing. Batteries 3 years.
- Indoor damp locations (0° - 40°C).

### DIMENSIONS (MM)



### MOUNTING

- Mounting brackets included-provides top, end or back mount convenience.

## ORDERING INFORMATION

Model	No. of faces	Letter	Panel	Housing	Battery	Options
AELR	1 Single Face	R Red G Green	C Clear WP White	W White	EM NiCad Battery	DA Double Arrow RA Right Arrow LA Arrow 1 "Man to Exit"

Special voltage options available.

## PACKING INFORMATION

Pieces per master	Box Dimensions (cm)	CBM (Master)	Gross weight (Kg)
10	56.5x39x25	0.0550	9.5

### NOTES:

- Batteries must be charged every 6 months to ensure product conservation.
- Specifications and dimensions subject to change without notice.

STANDARD

IP20



### ILLUMINATION

- Ultra-bright, energy efficient, long-life Red or Green LED.
- Energy efficient LED technology.
- Decals and template provides for chevron directional indicators.
- UV-stabilized ultra-clear acrylic edgelit panel provides consistent, uniform illumination.

### ELECTRICAL

- 110V-220V / 50/60Hz
- PF <0.4
- Power Consumption: 110v is 1w and 220V is 2.55w
- Charge rate/power "ON" LED indicator light and push-to-test switch for mandated code compliance testing.
- LVD (low voltage disconnect) prevents battery from deep discharge.
- 3.6V 500mAH maintenance-free, rechargeable sealed lead acid battery, 200 cycles.
- Internal solid-state transfer switch automatically connects the internal battery to LED board for minimum 6-8-hours emergency illumination.
- Fully automatic solid-state, two-rate charger initiates battery charging to recharge a discharged battery in 24 hours.

### MOUNTING

- Mounting brackets included-provides top, end or back mount convenience.

### HOUSING

- Injection-molded, engineering-grade, 5VA flame retardant, high-impact resistant, thermoplastic in white or black finish.

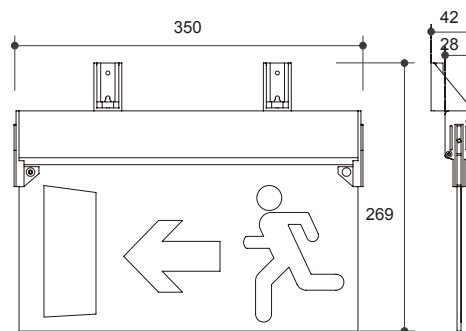
### OPTIONS

- Edgelit Salida panels available to order separately (contact customer service).
- Double face utilizes a silver mylar insert.

### WARRANTY

- Five year warranty on all electronics and housing. Batteries 3 years.
- Indoor damp locations (0°- 40°C).

### DIMENSIONS (MM)



### ORDERING INFORMATION

Model	No. of faces	Letter	Panel	Housing	Battery	Options
AELSU	1 Single Face	R Red	C Clear	W White	Blank AC Only	DA Double Arrow
	2 Double Face	G Green			EM NiCad Battery	RA Right Arrow LA Arrow 1 "Man to Exit"

Special voltage options available.

### PACKING INFORMATION

Pieces per master	Box Dimensions (cm)	CBM (Master)	Gross weight (Kg)
10	41x37x25.5	0.0386	8.4

NOTES:

- Batteries must be charged every 6 months to ensure product conservation.
- Specifications and dimensions subject to change without notice.

## RECESSED ALUMINUM EDGELITE EXIT SIGN

### STANDARD



### ILLUMINATION

- Ultra-bright, energy efficient, long-life Red or Green LED.
- UV-stabilized ultra-clear acrylic edgelite panel provides consistent, uniform illumination.
- Double face utilizes factory installed silver or white mylar background panel.

### ELECTRICAL

- Universal Voltage 120V-277V 50-60Hz
- Charge rate/power "ON" LED indicator light and push-to-test switch for mandated code compliance testing.
- 4.8V/500mAH long life, Ni-MH battery for minimum 90 minute emergency operation, 500 cycles.
- Fully automatic solid-state, two-rate charger initiates battery charging to recharge a discharged battery in 24 hours.
- Test Switch and charge indicator

### MOUNTING

- Mounting bar hanger included, suitable for drywall or drop ceiling installation.
- Removable front cover for easy installation and battery maintenance.

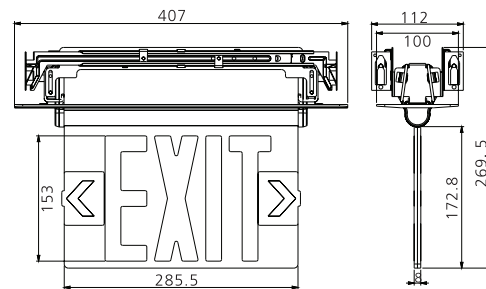
### HOUSING

- Aluminum housing with high grade acrylic panel.
- Self-adhesive chevron appliques and guide template provided for directional indication.

### WARRANTY

- Five year warranty on all electronics and housing. Batteries 3 years.
- Meets UL924, NFPA 101, NEC and OSHA illumination standards.
- UL listed for indoor damp locations (0°- 40°C).

### DIMENSIONS (MM)



### ORDERING INFORMATION

Model	No. of faces	Letter	Panel	Housing	Battery	Options
ARELX	1 Single Face	R Red	C Clear*	A Aluminum	EM Battery Back up	S Salida
	2 Double Face	G Green	M Mirror			R Running Man
			W White			

### PACKING INFORMATION

Pieces per master	Box Dimensions (cm)	CBM (Master)	Gross weight (Kg)
2	44 x 25 x 22.5	0.0247	5.3

#### NOTES:

- \* Single face only
- Batteries must be charged every 18 months to ensure product conservation.
- Specifications and dimensions subject to change without notice.

## WET LOCATION LED EXIT SIGN

### STANDARD



### ILLUMINATION

- Ultra bright, energy efficient, long life Red or Green LED.

### ELECTRICAL

- Dual Voltage 120V/277V 50/60Hz
- PF <0.4
- Charge rate/power "ON" LED indicator light and push-to-test switch for mandated code compliance testing.
- 3.6V 500mAH Long life, maintenance-free, rechargeable Ni-Mh battery, 500 cycles.
- Internal solid-state transfer switch automatically connects the internal battery to LED board for minimum 180-minute emergency illumination.
- Fully automatic solid-state, two rate charger initiates battery charging to recharge a discharged battery in 24 hours.

### MOUNTING

- Universal J-Box mounting.

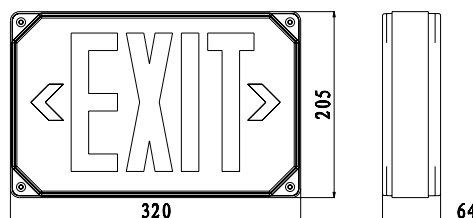
### HOUSING

- Injection-molded, thermoplastic ABS housing and polycarbonate cover, UL 94V-0 flame rating.
- Easy snap-out chevron directional indicators.
- Letter 6" height with 3/4" stroke.

### WARRANTY/LISTING

- Five year warranty on all electronics and housing. Batteries 3 years.
- Meets UL924, NFPA 101, NEC and OSHA illumination standards.
- UL listed for outdoor wet locations (-20°- 40°C).

### DIMENSIONS (MM)



### ORDERING INFORMATION

Model	No. of Faces	LED Color	Housing Color	Remote Capacity	Options
WLEZU	1 Single face	R Red	W White	Blank No Remote	S Salida (UL components, but not UL listed) SDT Self diagnostic CW Cold weather (Ta-25°C to 40°C)
	2 Universal Single / Double face	G Green	B Black	RC With Remote	

### PACKING INFORMATION

Pieces per master	Box Dimensions (cm)	CBM (Master)	Gross weight (Kg)
6	44 x 35 x 24	0.0696	10

#### NOTES:

- Batteries must be charged every 18 months to ensure product conservation.
- Specifications and dimensions subject to change without notice.

## BI-COLOR LED EXIT & EMERGENCY COMBO

### STANDARD



### ILLUMINATION

- Long lasting, efficient ultra bright white LED lamp heads.
- 1 watt per head (8 LEDs x 0.125), 250 Lumens total.
- High performance chrome-plated metallized reflector and plastic lens for optimal light distribution.
- Adjustable LED lamp heads provides optimal center-to-center spacing. Optional high-lumen heads are available for increased center-to-center spacing.
- Long life, energy efficient Red or Green Selectable. (Color Selectable switch to choose RED or GREEN) Interchangeable color lenses included.

### ELECTRICAL

- Dual Voltage 120V/277V 50/60Hz
- PF <0.4
- Charge rate/power "ON" LED indicator light and push-to-test switch for mandated code compliance testing.
- 3.6V 1200mAH Long life, maintenance-free, rechargeable Ni-MH battery, 500 cycles.
- Internal solid-state transfer switch automatically connects the internal battery to LED board and LED lamp heads for minimum 90-minute emergency illumination.
- Fully automatic solid-state, two rate charger initiates battery charging to recharge a discharged battery in 24 hours.
- Remote capacity option available.

### MOUNTING

- Easy-snap mounting canopy included for top or end mount.
- Universal K/O pattern on back plate for wall mount..

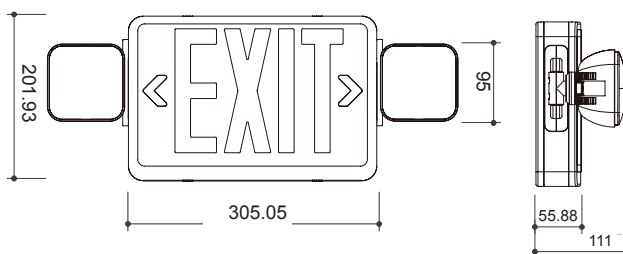
### HOUSING

- Injection-molded, thermoplastic ABS housing PMMA lamp diffuser, UL 924V-0 Flame rating in white or black finish.
- Easy snap-out chevron directional indicators.

### WARRANTY/LISTING

- Five year warranty on all electronics and housing. Batteries 3 years.
- Meets UL924, NFPA 101, NEC and OSHA illumination standards.
- UL listed for indoor damp locations (0°C- 40°C).

### DIMENSIONS



### ORDERING INFORMATION

Model	No. of Faces	Housing Color	Options
CCUB	2 Universal Single / Double face	W White B Black	S Salida SDT Self diagnostic R Remote capacity

### PACKING INFORMATION

Pieces per master	Box Dimensions (cm)	CBM (Master)	Gross weight (Kg)
6	50x44x38.5	0.0847	11.2

#### NOTES:

- SDT=No UL Listed
- Damp location is only for low or high temperature.
- Operation not for dust-proof or water-proof.
- Batteries must be charged every 18 months to ensure product conservation.
- Specifications and dimensions subject to change without notice.

## LED EXIT & EMERGENCY COMBO

### STANDARD



### ILLUMINATION

- Long lasting, efficient ultra bright white LED lamp heads.
- 1.2 watt per head (12 LEDs x 0.1), total 300 lumen output.
- High performance chrome-plated metallized reflector and plastic lens for optimal light distribution.
- Adjustable LED lamp heads provides optimal center-to-center spacing. Optional high-lumen heads are available for increased center-to-center spacing.
- Long life, energy efficient Red or Green LED EXIT sign illumination.

### ELECTRICAL

- Dual Voltage 120V/277V 50/60Hz
- PF <0.4
- Charge rate/power "ON" LED indicator light and push-to-test switch for mandated code compliance testing.
- 9.6V600mAH Long life, maintenance-free, rechargeable NiCd battery, 500 cycles.
- Internal solid-state transfer switch automatically connects the internal battery to LED board and LED lamp heads for minimum 90-minute emergency illumination.
- Fully automatic solid-state, two rate charger initiates battery charging to recharge a discharged battery in 24 hours.
- Remote capacity option available.

### MOUNTING

- EZ-snap mounting canopy included for top or end mount.
- Universal K/O pattern on back plate for wall mount..

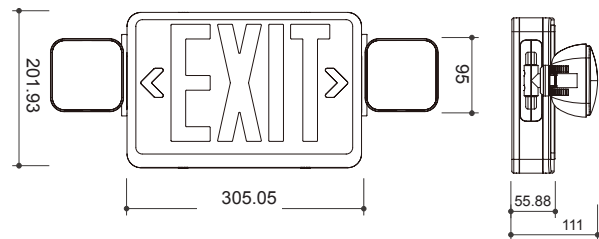
### HOUSING

- Injection-molded, engineering grade, 5VA flame retardant, high-impact resistant, thermoplastic in white or black finish.
- EZ snap-out chevron directional indicators.

### WARRANTY/LISTING

- Five year warranty on all electronics and housing. Batteries 3 years.
- Meets UL924, NFPA 101, NEC and OSHA illumination standards.
- UL listed for indoor damp locations (0°C- 40°C).

### DIMENSIONS



### ORDERING INFORMATION

Model	No. of Faces	LED Color	Housing Color	Options
CCUB	2 Universal Single / Double face	R Red G Green	W White B Black	S Salida SDT Self diagnostic

### PACKING INFORMATION

Pieces per master	Box Dimensions (cm)	CBM (Master)	Gross weight (Kg)
6	50x44x38.5	0.0847	11.2

#### NOTES:

- Damp location is only for low or high temperature.
- Operation not for dust-proof or water-proof.
- Batteries must be charged every 18 months to ensure product conservation.
- Specifications and dimensions subject to change without notice.

## BI-COLOR LOW PROFILE ALL LED EXIT & EMERGENCY COMBO

### STANDARD



### ILLUMINATION

- Adjustable long lasting, efficient ultra-bright white LED lamp heads.
- 1w white LED per lamp head, total 200 lumen output
- Unique all inclusive lamp, reflector and lens assembly.
- Long-lasting, energy efficient Red or Green LED exit sign illumination.
- Red or Green Selectable. (Color Selectable switch to choose RED or GREEN) Interchangeable color lenses included.

### ELECTRICAL

- Universal Voltage 120V-277V 60Hz
- PF <0.4
- Test switch and charge indicator.
- 3.6V1000mAH long-life, maintenance-free, rechargeable Ni-MH battery, 500 cycles.
- Internal solid-state transfer switch automatically connects the internal battery to LED board and LED lamp heads for minimum 90-minute emergency illumination.
- Fully automatic solid-state, two-rate charger initiates battery charging to recharge a discharged battery in 24 hours.

### MOUNTING

- Easy-snap thermoplastic mounting canopy included – provides top or back mount.
- Universal K/O pattern on back plate for wall mount..

### HOUSING

- Injection-molded thermoplastic ABS housing & PMMA lamp head diffuser, UL 94V-0 flame rating.
- White or Black

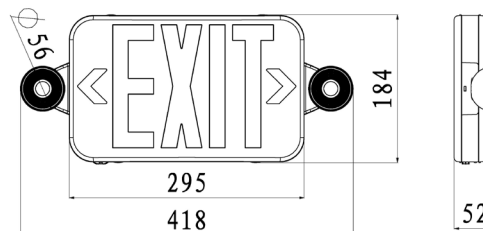
### OPTIONS

- Remote capacity option available.
- Double face (Universal).

### WARRANTY/LISTING

- Five year warranty on all electronics and housing Batteries 3 years..
- Meets UL924, NFPA 101, NEC and OSHA illumination standards.
- UL listed for indoor damp locations (0° - 40°C).

### DIMENSIONS (MM)



### ORDERING INFORMATION

Model	No. of Faces	Housing Color	Options
CSUB	2 Universal Single / Double face	W White	S Salida
		B Black	SDT Self diagnostic R Remote capacity

### PACKING INFORMATION

Pieces per master	Box Dimensions (cm)	CBM (Master)	Gross weight (Kg)
6	44x40x19.5	0.0304	7

#### NOTES:

- Damp location is only for low or high temperature.
- Operation not for dust-proof or water-proof.
- Batteries must be charged every 18 months to ensure product conservation.
- Specifications and dimensions subject to change without notice.

## LOW PROFILE ALL LED EXIT & EMERGENCY COMBO

### STANDARD



### ILLUMINATION

- Adjustable long lasting, efficient ultra-bright white LED lamp heads.
- 1w white LED per lamp head, total 150 lumen output.
- Unique all inclusive lamp, reflector and lens assembly.
- Long-lasting, energy efficient Red or Green LED exit sign illumination.

### ELECTRICAL

- Dual Voltage 120V/277V 60Hz
- PF <0.4
- Test switch and charge indicator.
- 3.6V1000MAH long-life, maintenance-free, rechargeable Ni-Cad battery, 500 cycles.
- Internal solid-state transfer switch automatically connects the internal battery to LED board and LED lamp heads for minimum 90-minute emergency illumination.
- Fully automatic solid-state, two-rate charger initiates battery charging to recharge a discharged battery in 24 hours.

### MOUNTING

- Easy-snap thermoplastic mounting canopy included – provides top or back mount.
- Universal K/O pattern on back plate for wall mount..

### HOUSING

- Injection-molded thermoplastic ABS housing, UL 94V-0 flame rating.
- White or Black

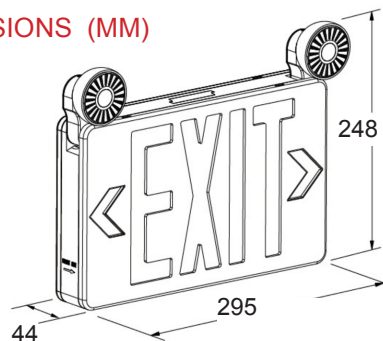
### OPTIONS

- Remote capacity option available.
- Single or double face (Universal).

### WARRANTY/LISTING

- Five year warranty on all electronics and housing Batteries 3 years..
- Meets UL924, NFPA 101, NEC and OSHA illumination standards.
- UL listed for indoor damp locations (0°- 40°C).

### DIMENSIONS (MM)



### ORDERING INFORMATION

Model	No. of Faces	LED Color	Housing Color	Options
CXU	1 Single face	R Red	W White	S Salida
	2 Universal Single / Double face	G Green	B Black	SDT Self diagnostic

### PACKING INFORMATION

Pieces per master	Box Dimensions (cm)	CBM (Master)	Gross weight (Kg)
6	40x33x23	0.0304	8.6

#### NOTES:

- Damp location is only for low or high temperature.
- Operation not for dust-proof or water-proof.
- Batteries must be charged every 18 months to ensure product conservation.
- Specifications and dimensions subject to change without notice.

## LOW PROFILE ALL LED EXIT & EMERGENCY COMBO

### STANDARD



### ILLUMINATION

- Adjustable long lasting, efficient ultra-bright white LED lamp heads.
- 1w white LED per lamp head, total 200 lumen output.
- Unique all inclusive lamp, reflector and lens assembly.
- Long-lasting, energy efficient Red or Green LED exit sign illumination.

### ELECTRICAL

- Universal Voltage 120V-277V 60Hz
- PF <0.4
- Test switch and charge indicator.
- 3.6V1000MAH long-life, maintenance-free, rechargeable Ni-Cad battery, 500 cycles.
- Internal solid-state transfer switch automatically connects the internal battery to LED board and LED lamp heads for minimum 90-minute emergency illumination.
- Fully automatic solid-state, two-rate charger initiates battery charging to recharge a discharged battery in 24 hours.

### MOUNTING

- Easy-snap thermoplastic mounting canopy included – provides top or back mount.
- Universal K/O pattern on back plate for wall mount..

### HOUSING

- Injection-molded thermoplastic ABS and PC housing, UL 94V-0 flame rating.
- White or Black

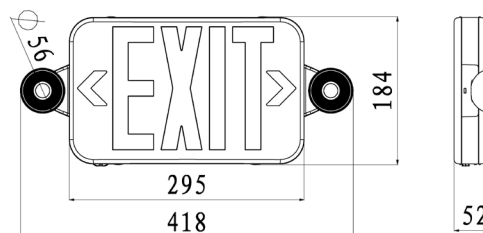
### OPTIONS

- Remote capacity option available.
- Single or double face (Universal).

### WARRANTY/LISTING

- Five year warranty on all electronics and housing Batteries 3 years.
- Meets UL924, NFPA 101, NEC and OSHA illumination standards.
- UL listed for indoor damp locations (0°- 40°C).

### DIMENSIONS (MM)



### ORDERING INFORMATION

Model	No. of Faces	LED Color	Housing Color	Options
CSU	1 Single face	R Red	W White	S Salida
	2 Universal Single / Double face	G Green	B Black	SDT Self diagnostic

### PACKING INFORMATION

Pieces per master	Box Dimensions (cm)	CBM (Master)	Gross weight (Kg)
6	44x40x19.5	0.0304	7

#### NOTES:

- Damp location is only for low or high temperature.
- Operation not for dust-proof or water-proof.
- Batteries must be charged every 18 months to ensure product conservation.
- Specifications and dimensions subject to change without notice.

## WET LOCATION COMBO LED EXIT SIGN

### STANDARD



### ILLUMINATION

- Ultra bright, energy efficient, long life Red or Green LED.

### ELECTRICAL

- Dual Voltage 120V/277V 50/60Hz
- PF <0.4
- Charge rate/power "ON" LED indicator light and push-to-test switch for mandated code compliance testing.
- 3.6V 1200mAH Long life, maintenance-free, rechargeable Ni-Mh battery, 500 cycles.
- Internal solid-state transfer switch automatically connects the internal battery to LED board for minimum 90-minute emergency illumination.
- Fully automatic solid-state, two rate charger initiates battery charging to recharge a discharged battery in 24 hours.
- Luminous Flux: total 300 lumen output

### MOUNTING

- Universal J-Box mounting.

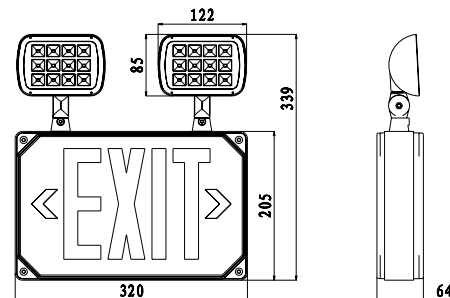
### HOUSING

- Injection-molded, thermoplastic ABS housing and polycarbonate cover, UL 94V-0 flame rating.
- Easy snap-out chevron directional indicators.
- Letter 6" height with 3/4" stroke.

### WARRANTY/LISTING

- Five year warranty on all electronics and housing. Batteries 3 years.
- Meets UL924, NFPA 101, NEC and OSHA illumination standards.
- UL listed for outdoor wet locations (-20°- 40°C).

### DIMENSIONS (MM)



### ORDERING INFORMATION

Model	No. of Faces	LED Color	Housing Color	Options
WLCU	1 Single face	R Red G Green	W White B Black	S Salida (UL components, but not UL listed) SDT Self diagnostic CW Cold weather (Ta-25°C to 40°C)

### PACKING INFORMATION

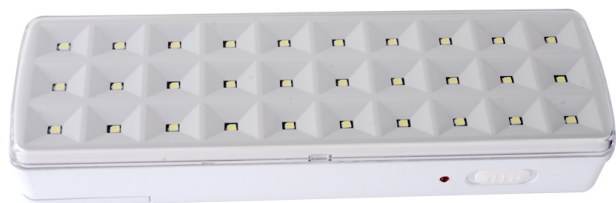
Pieces per master	Box Dimensions (cm)	CBM (Master)	Gross weight (Kg)
6	44 x 35 x 38	0.05852	12.4

### NOTES:

- Batteries must be charged every 18 months to ensure product conservation.
- Specifications and dimensions subject to change without notice.



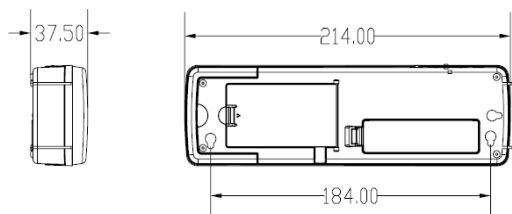
## 30 LEDS



### PRODUCT OVERVIEW

Emergency lantern and work light provides exceptional illumination from 30 LED chips. Leave the lantern plugged into any outlet for charging, it turns on automatically if power goes out. With convenient carrying handle and stand. Manual on/off switch lets you use the lantern as needed.

### DIMENSIONS (MM)



### SPECIFICATIONS

Mode of operation	High/Low mode
Input Output	120lm high mode / 60lm low mode
PF	>0.4
Color Temperature	6000K-7000K
Duration	4 hrs high mode/ 8 hrs low mode
LED Life	50,000 hours
LED Type	30 (SMD3528)
Battery	3.6V600mA Li-ion battery (200 cycles)
Battery charge time	24 hours
Battery discharge time	3 hrs/Hi 6 hrs/low
Output Power	1.8w
Voltage	110-220V 50/60Hz
Warranty	5 years

### ORDERING INFORMATION

Item Model  
AL585000 30 LEDS

### PACKING INFORMATION

Model	CBM	Pieces per master	Box Dimensions (cm)	Gross weight (Kg)
Round Recessed				
30 LEDS	0.0336	30	41 x 26 x 31.5	9.2

#### NOTES:

- Batteries must be charged every 6 months to ensure product conservation.
- Specifications and dimensions subject to change without notice.

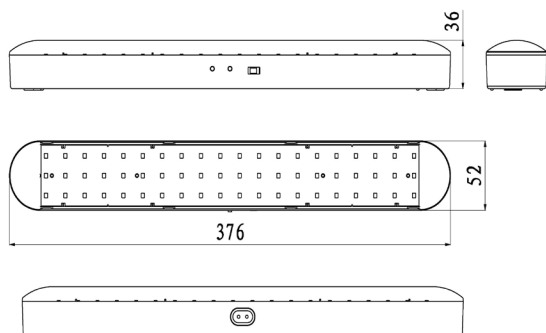
## 60 LEDS



### PRODUCT OVERVIEW

Emergency lantern and work light provides exceptional illumination from 60 LED chips. Leave the lantern plugged into any outlet for charging, it turns on automatically if power goes out. Manual on/off switch lets you use the lantern as needed.

### DIMENSIONS (MM)



### SPECIFICATIONS

<b>Mode of operation</b>	High/Low mode
<b>Lumens</b>	240lm high mode / 70lm low mode
<b>Color Temperature</b>	6000K-7000K
<b>Duration</b>	4 hrs high mode/ 8 hrs low mode
<b>LED Life</b>	50,000 hours
<b>LED Type</b>	60 pcs (SMD 3528)
<b>Battery</b>	3.6V/2000mA Li-ion battery (200 cycles)
<b>Battery charge time</b>	24 hours
<b>Battery discharge time</b>	3 hrs / high mode 10 hrs / low mode
<b>Output Power</b>	2.5w
<b>PF</b>	>0.4
<b>Power consumption</b>	2W
<b>Voltage</b>	110-220V 50-60Hz
<b>Warranty</b>	5 years

### ORDERING INFORMATION

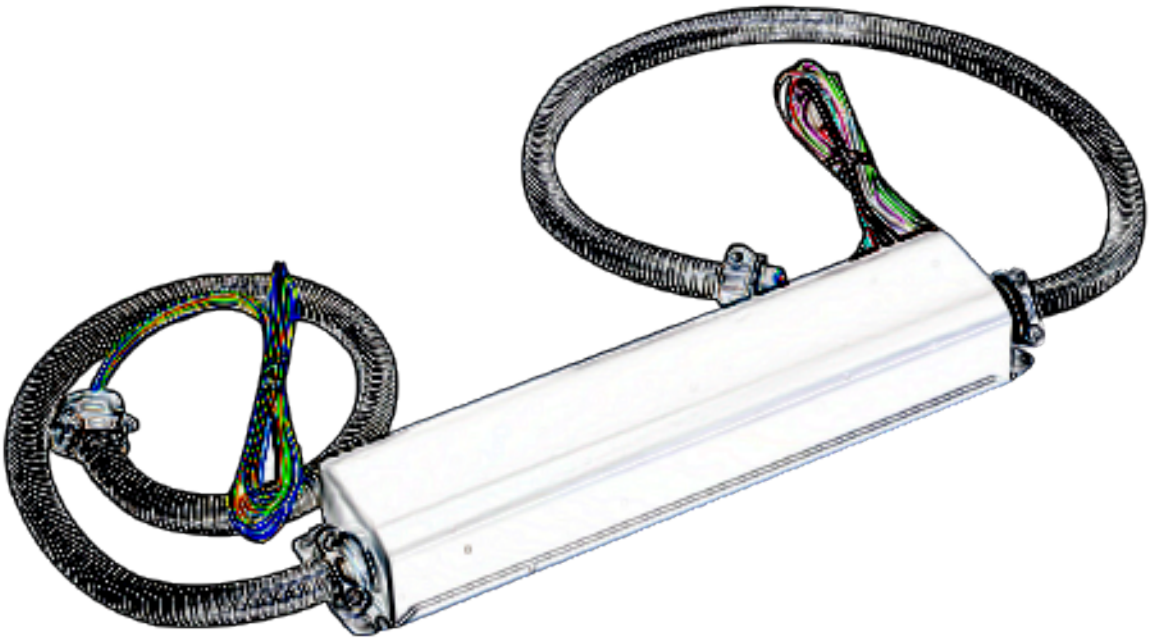
Item Model  
AL585001 60 LEDS

### PACKING INFORMATION

Model	CBM	Pieces per master	Box Dimensions (cm)	Gross weight (Kg)
60 LEDS	0.0292692	12	47 x 26.5 x 23.5	14

#### NOTES:

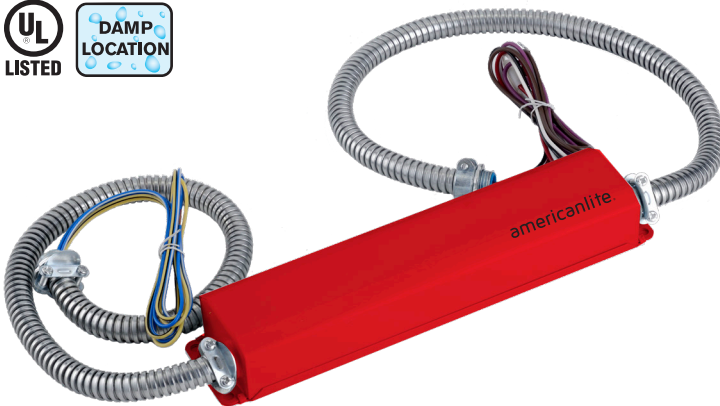
- Batteries must be charged every 6 months to ensure product conservation.
- Specifications and dimensions subject to change without notice.



# LED Emergency Inverter (for internal driver)

americanlite®

10w

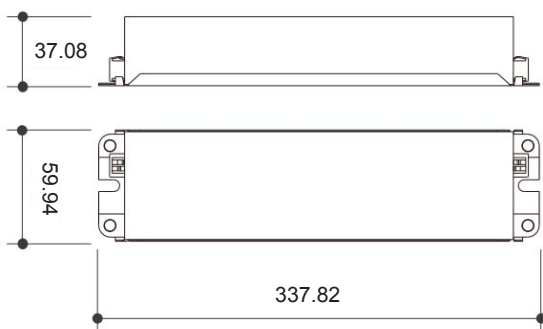


UL Listed for factory installation or field installation

## PRODUCT OVERVIEW

- To be use with fixtures with internal driver, led tubes (by pass only, no dimmable) or led lamps with max 10w.
- Constant power output - Provides constant wattage to the LED array, preventing degradation of emergency illumination for the required runtime
- Suitable for enclosed and gasket fixtures
- 0° to 50°C indoor damp location listed
- UL listed for field installation
- Durable heavy duty steel housing
- Innovative, easy installation in minutes
- 120-277VAC/50-60Hz universal voltage operation
- Built-in Nickel cadmium battery for minimum 90 minutes emergency operation
- Maximum 24 hours for full recharge time
- Test switch and charge indicator

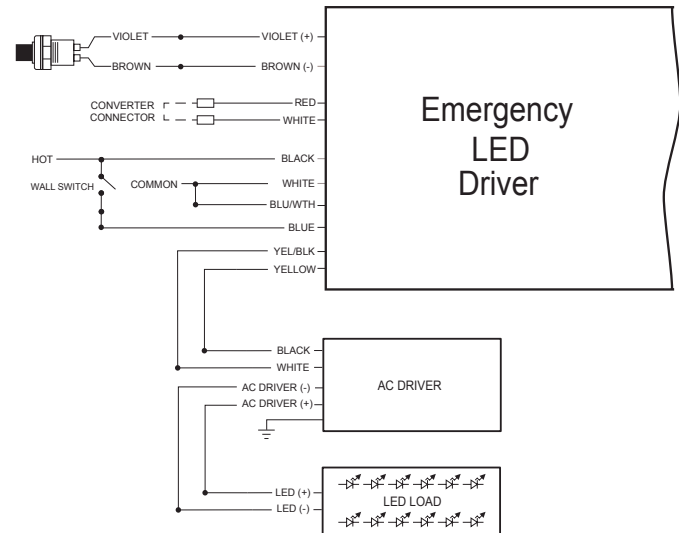
## DIMENSIONS (MM)



## SPECIFICATIONS

Mode of Operation	Works with internal driver fixtures only
Input Wattage	5.5W
Input Current	65-45mA
Output Voltage	180-320VDC(120-230VAC)
Output Power	10W Max
Battery	6V5000mAh Ni-Cad (500 cycles)
Max Charge Current (mA)	230mA
Max Discharge Current (mA)	2500mA
Lumen Output	100%
Working Temperature	0°C-50°C
Warranty	3 Years

## WIRING DIAGRAM



## NOTES

- Batteries should be installed within a year. Batteries must be tested and recharged at least once every 18 months to maintain proper function and avoid loss of warranty.
- Lighting fixture or lamp power should not exceed EM driver power to avoid damage and loss of warranty.

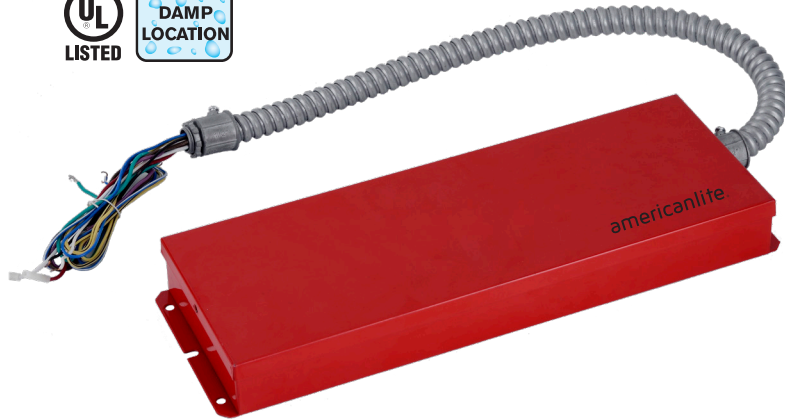
## ORDERING INFORMATION

Model	Packing information	Options
AL585007	40 x 25 x 15.5 cm / 6 pcs per master / G.W. 9 / N.W. 8 KGS	Without conduit, add "X" after code

# LED Emergency Inverter (for internal & external driver)

americanlite®

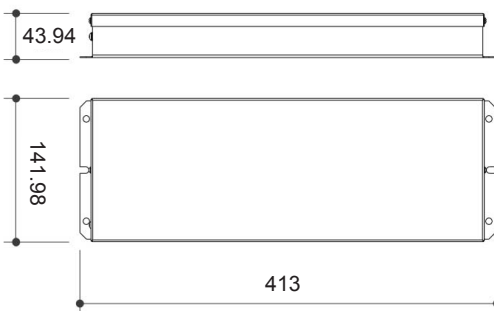
20w



## PRODUCT OVERVIEW

- To be use with fixtures with internal and external driver, led tubes (by pass only, no dimmable) or led lamps with max 20w.
- Constant power output - Provides constant wattage to the LED array, preventing degradation of emergency illumination for the required runtime
- Suitable for enclosed and gasket fixtures
- 0° to 50°C indoor damp location listed
- UL listed for field installation, meets UL924
- Durable heavy duty steel housing
- Innovative, easy installation in minutes
- 120-277VAC/50-60Hz universal voltage operation
- Built-in Nickel cadmium battery for minimum 90 minutes emergency operation
- Maximum 24 hours for full recharge time
- Test switch and charge indicator

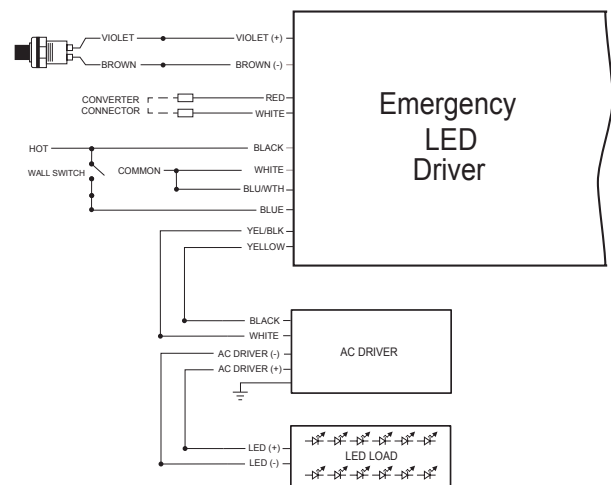
## DIMENSIONS (MM)



## UL Listed for factory installation or field installation SPECIFICATIONS

Mode of Operation	Works with internal & external driver fixtures max 20w
Input Wattage	6.5W
Input Current	85-65mA
Output Voltage	180-320VDC
Output Power	20W Max
Battery	14.4V4000mAh Ni-Cad (500 cycles)
Max Charge Current (mA)	190mA
Max Discharge Current (mA)	2200mA
Lumen Output	100%
WorkingTemperature	0°C-50°C
Warranty	3 Years

## WIRING DIAGRAM



## NOTES

- Batteries should be installed within a year. Batteries must be tested and recharged at least once every 18 months to maintain proper function and avoid loss of warranty.
- Lighting fixture or lamp power should not exceed EM driver power to avoid damage and loss of warranty.

## ORDERING INFORMATION

Model	Packing information	Options
AL585006	28.5 x 22.5 x 24 cm / 6 pcs per master / G.W. 19.9 / N.W. 15.9 KGS	Without conduit, add "X" after code

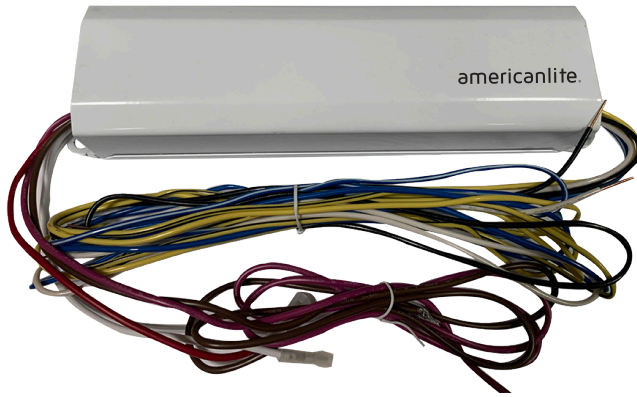
# LED Emergency Driver

(for internal & external driver)

americanlite®



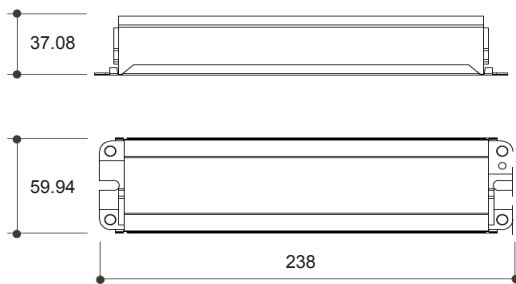
20w



## PRODUCT OVERVIEW

- To be use with fixtures with internal and external driver, led tubes (by pass only, no dimmable) or led lamps with max 20w.
- Constant power output - Provides constant wattage to the LED array, preventing degradation of emergency illumination for the required runtime
- Suitable for enclosed and gasket fixtures
- 0° to 50°C indoor damp location listed
- CE Cerification
- ABS Housing
- Innovative, easy installation in minutes
- 100-277VAC/50-60Hz
- Li-ion for minimum 90 minutes emergency operation
- Maximum 24 hours for full recharge time
- Test switch and charge indicator

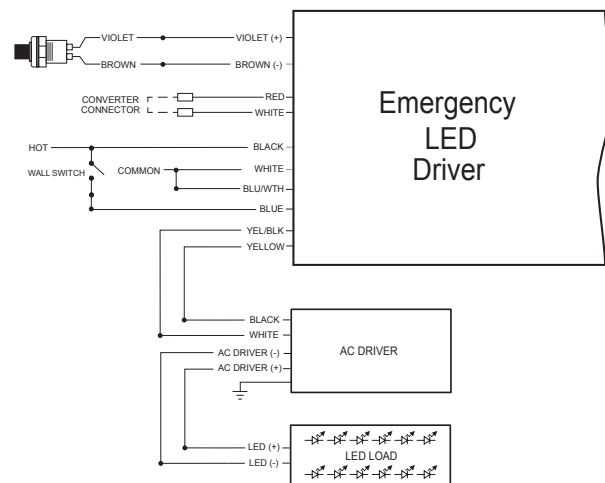
## DIMENSIONS (MM)



## SPECIFICATIONS

Mode of Operation	Works with internal & external driver fixtures Max 20w
Input Wattage	6.5W
Input Current	55mA Max
Output Voltage	110-180VDC(120VAC)
Output Power	20W Max
Battery	11.1V4000mAh Li-ion (200 cycles)
Max Charge Current (mA)	350mA
Max Discharge Current (mA)	2500mA
Lumen Output	100%
Working Temperature	0°C-50°C

## WIRING DIAGRAM



## NOTES

- Batteries should be installed within a year. Batteries must be tested and recharged at least once every 6 months to maintain proper function and avoid loss of warranty.
- Lighting fixture or lamp power should not exceed EM driver power to avoid damage and loss of warranty.

## ORDERING INFORMATION

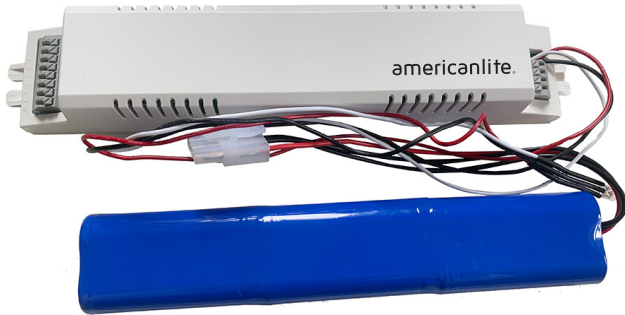
Model	Packing information
AL585034	30.5 x 23.5 x 16.5 cm / 6 pcs per master / G.W. 5.3 / N.W. 4.3KGS

# LED Emergency Driver (for internal driver)

americanlite®



20w



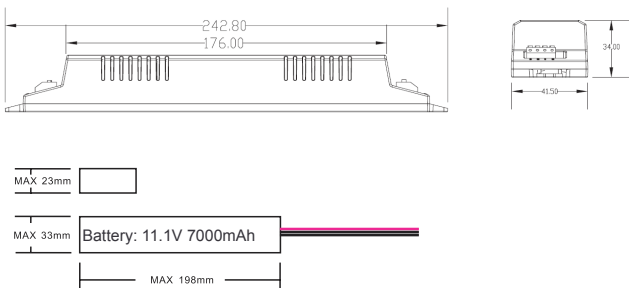
## PRODUCT OVERVIEW

- To be use with fixtures with internal driver, led tubes (by pass only, no dimmable) or led lamps with max 20w.
- Constant power output - Provides constant wattage to the LED array, preventing degradation of emergency illumination for the required runtime
- Suitable for enclosed and gasket fixtures
- 0° to 50°C indoor damp location listed
- CE Cerification
- ABS Housing
- Innovative, easy installation in minutes
- 100-277VAC/50-60Hz
- Li-ion for minimum 90 minutes emergency operation
- Maximum 24 hours for full recharge time
- Test switch and charge indicator

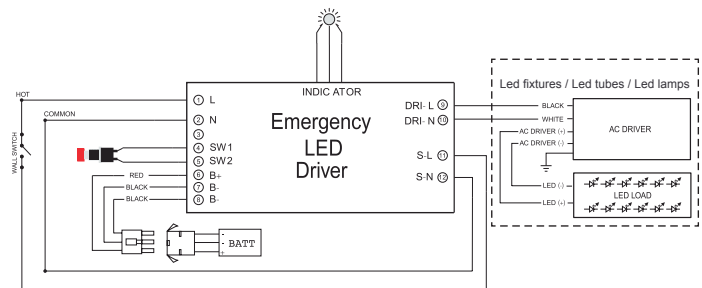
## SPECIFICATIONS

Mode of Operation	Works with internal driver fixtures only
Input Wattage	6.5W
Input Current	55mA Max
Output Voltage	110-180VDC(120VAC)
Output Power	20W Max
Battery	11.1V4000mAh Li-ion (200 cycles)
Max Charge Current (mA)	350mA
Max Discharge Current (mA)	2500mA
Lumen Output	100%
Working Temperature	0°C-50°C
Warranty	3 Years

## DIMENSIONS (MM)



## WIRING DIAGRAM



## NOTES

- Batteries should be installed within a year. Batteries must be tested and recharged at least once every 6 months to maintain proper function and avoid loss of warranty.

## ORDERING INFORMATION

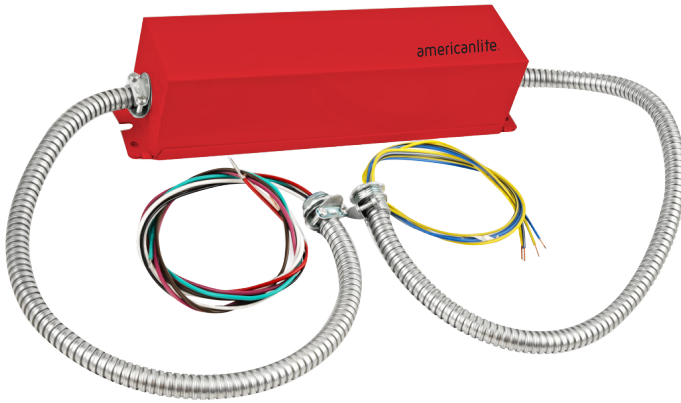
Model	Packing information
AL585024	40.5 x 26 x 17 cm / 16 pcs per master / G.W. 9.2 / N.W. 8.2 KGS

# LED Emergency Inverter (for internal & external driver)

americanlite®



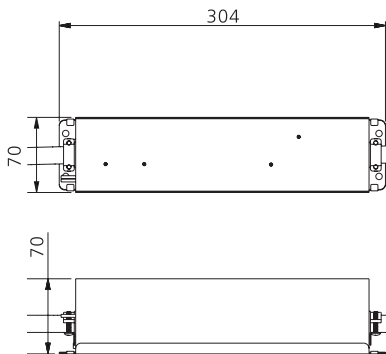
25w



## PRODUCT OVERVIEW

- To be use with fixtures with internal and external driver, led tubes (by pass only, no dimmable) or led lamps with max 25w.
- Constant power output - Provides constant wattage to the LED array, preventing degradation of emergency illumination for the required runtime
- Suitable for enclosed and gasket fixtures
- 0° to 50°C indoor damp location listed
- Durable heavy duty steel housing
- Innovative, easy installation in minutes
- 120-277VAC/50-60Hz universal voltage operation
- Li-ion battery
- 90 minutes emergency operation
- Maximum 24 hours for full recharge time
- Test switch and charge indicator

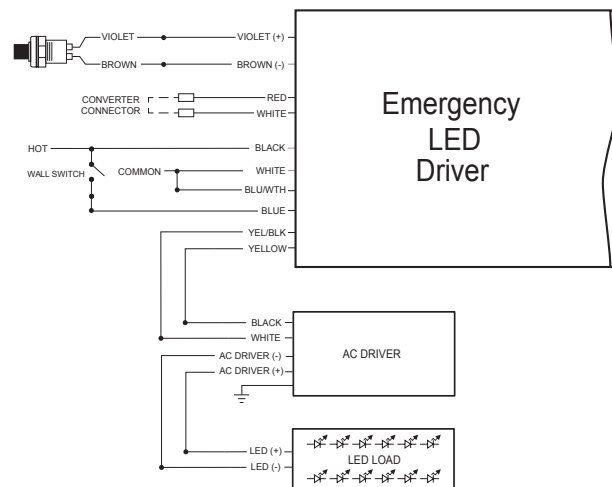
## DIMENSIONS (MM)



## SPECIFICATIONS

Mode of Operation	Works with internal and external driver fixtures
Input Wattage	6.5W
Input Current	85-65mA
Output Voltage	110-180VDC (120VAC)
Output Power	25w Max
Battery	11.1V 5000mAh Li-Ion (200 cycles)
Max Charge Current (mA)	350mA
Max Discharge Current (mA)	3000mA
Lumen Output	100%
Working Temperature	0°C-50°C

## WIRING DIAGRAM



## NOTES

- Batteries should be installed within a year. Batteries must be tested and recharged at least once every 6 months to maintain proper function and avoid loss of warranty.
- Lighting fixture or lamp power should not exceed EM driver power to avoid damage and loss of warranty.

## ORDERING INFORMATION

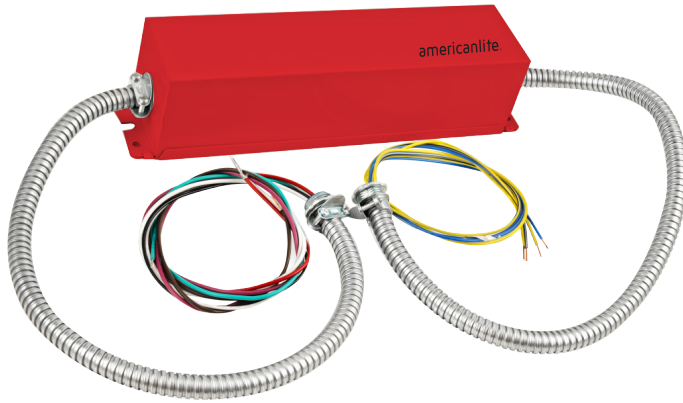
Model	Packing information	Option
AL585025	46.5 X 32 X 26.5 cm / 6 pcs per master / G.W. 12.7 KGS / N.W. 11.7 KGS	Without conduit, add "X" after code

# LED Emergency Inverter (for internal & external driver)

americanlite®



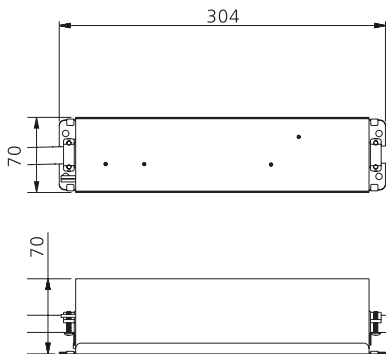
40w



## PRODUCT OVERVIEW

- To be use with fixtures with internal and external driver, led tubes (by pass only, no dimmable) or led lamps with max 40w.
- Constant power output - Provides constant wattage to the LED array, preventing degradation of emergency illumination for the required runtime
- Suitable for enclosed and gasket fixtures
- 0° to 50°C indoor damp location listed
- Durable heavy duty steel housing
- Innovative, easy installation in minutes
- 120-277VAC/50-60Hz universal voltage operation
- Li-ion battery  
90 minutes emergency operation
- Maximum 24 hours for full recharge time
- Test switch and charge indicator

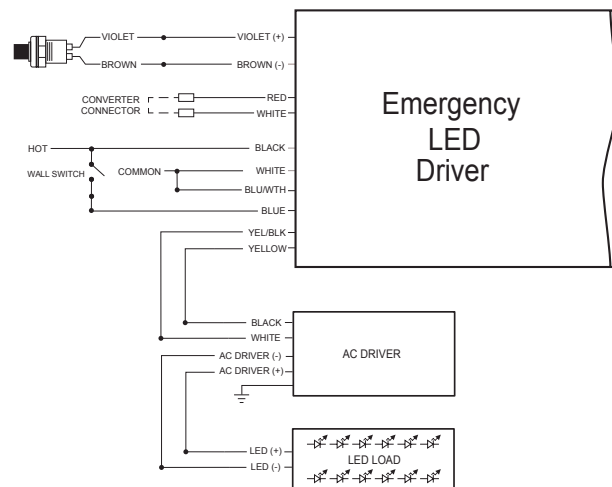
## DIMENSIONS (MM)



## SPECIFICATIONS

Mode of Operation	Works with internal and external driver fixtures
Input Wattage	6.5W
Input Current	85-65mA
Output Voltage	110-180VDC (120VAC)
Output Power	40W Max
Battery	11.1V7000mAh Li-Ion (200 cycles)
Max Charge Current (mA)	350mA
Max Discharge Current (mA)	5000mA
Lumen Output	100%
Working Temperature	0°C-50°C

## WIRING DIAGRAM



## NOTES

- Batteries should be installed within a year. Batteries must be tested and recharged at least once every 6 months to maintain proper function and avoid loss of warranty.
- Lighting fixture or lamp power should not exceed EM driver power to avoid damage and loss of warranty.

## ORDERING INFORMATION

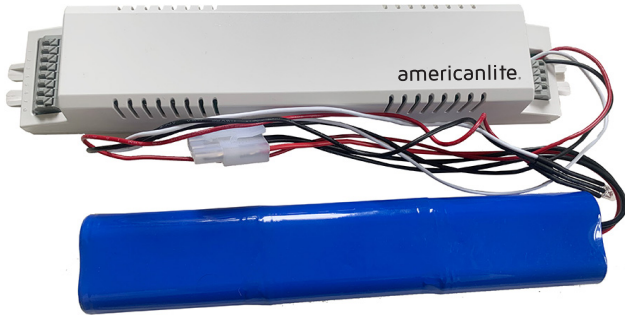
Model	Packing information	Option
AL585027	46.5 X 32 X 26.5 cm / 6 pcs per master / G.W. 12.7 KGS / N.W. 11.7 KGS	Without conduit, add "X" after code

# LED Emergency Inverter (for internal driver)

americanlite®



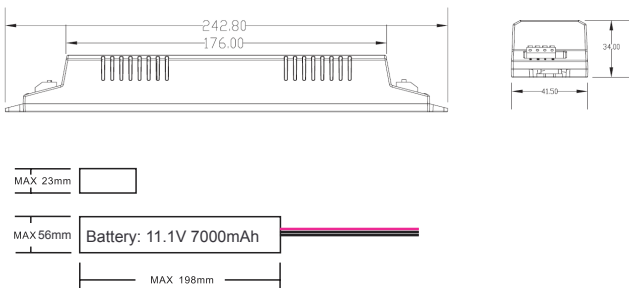
40w



## PRODUCT OVERVIEW

- To be use with fixtures with internal driver, led tubes (by pass only, no dimmable) or led lamps with max 40w.
- Constant power output - Provides constant wattage to the LED array, preventing degradation of emergency illumination for the required runtime
- Suitable for enclosed and gasket fixtures
- 0° to 50°C indoor damp location listed
- ABS housing
- Innovative, easy installation in minutes
- 120-277VAC/50-60Hz universal voltage operation
- Li-ion for minimum 90 minutes emergency operation
- 90 minutes emergency operation
- Maximum 24 hours for full recharge time
- Test switch and charge indicator

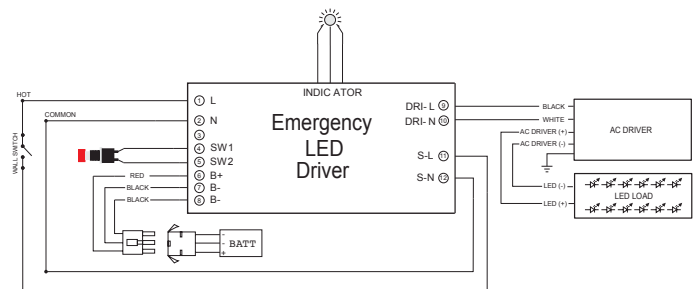
## DIMENSIONS (MM)



## SPECIFICATIONS

Mode of Operation	Works with internal driver fixtures only
Input Wattage	6.5W
Input Current	85-65mA
Output Voltage	110-180VDC (120VAC)
Output Power	40W Max
Battery	11.1V7000mAh Li-ion (200 cycles)
Max Charge Current (mA)	350mA
Max Discharge Current (mA)	5000mA
Lumen Output	100%
Working Temperature	0°C-50°C
Warranty	3 Years

## WIRING DIAGRAM



## NOTES

- Batteries should be installed within a year. Batteries must be tested and recharged at least once every 6 months to maintain proper function and avoid loss of warranty.

## ORDERING INFORMATION

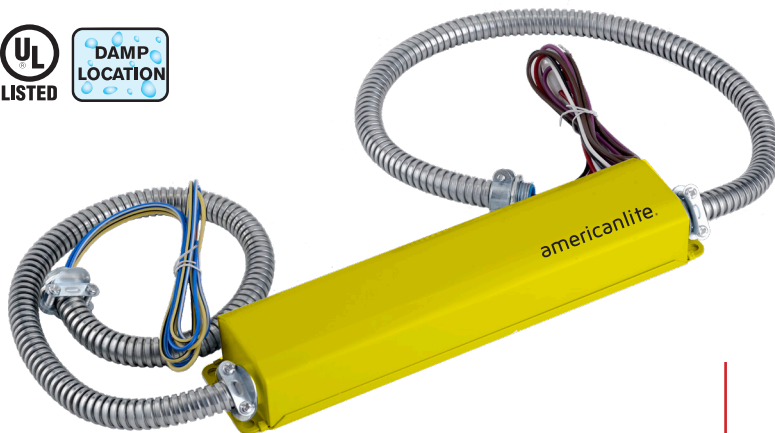
Model	Packing information
AL585026	40.5 x 26 x 17 cm / 16 pcs per master / G.W. 9.2 KGS / N.W. 8.2 KGS

# LED Emergency Driver (for external driver)

americanlite®



4w



UL Listed for factory installation or field installation

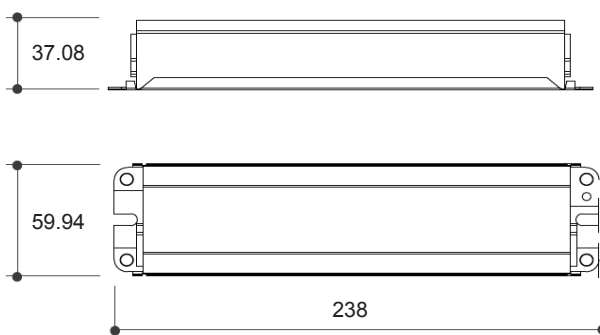
## SPECIFICATIONS

## PRODUCT OVERVIEW

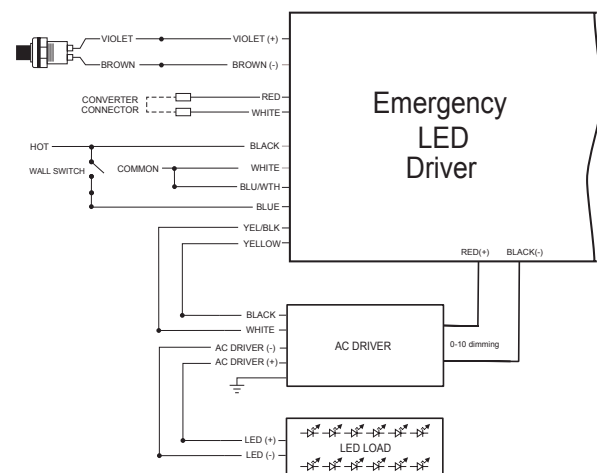
- To be use with fixtures with external driver
- Constant power output - Provides constant wattage to the LED array, preventing degradation of emergency illumination for the required runtime
- Suitable for enclosed and gasket fixtures
- 0° to 50°C indoor damp location listed
- UL listed for field installation
- Meets UL924
- Durable heavy duty steel housing
- Innovative, easy installation in minutes
- 120-277VAC/50-60Hz universal voltage operation
- Built-in Nickel cadmium battery for minimum 90 minutes emergency operation
- Maximum 24 hours for full recharge time
- Test switch and charge indicator

Mode of Operation	Works with external driver fixtures only
Input Wattage	5W
Input Current	36-50mA
Output Voltage	30-60VDC
Output Power	4W Max
Battery	4.8V2800mAh Ni-Cad (500 cycles)
Max Charge Current (mA)	250mA
Max Discharge Current (mA)	1500mA
Maximum Lumen Output	4w x lumen/watt of the fixture
Working Temperature	0°C-50°C
Warranty	3 Years

## DIMENSIONS (MM)



## WIRING DIAGRAM



## NOTES

- Batteries should be installed within a year. Batteries must be tested and recharged at least once every 18 months to maintain proper function and avoid loss of warranty.
- Lighting fixture or lamp power should not exceed EM driver power to avoid damage and loss of warranty.

## ORDERING INFORMATION

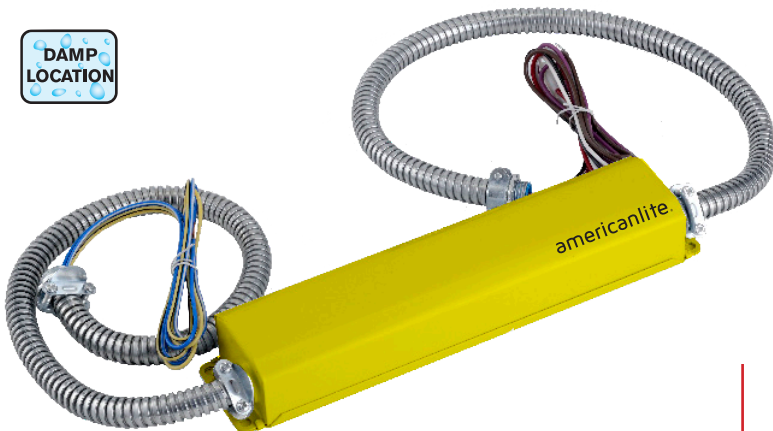
Model	Packing information	Option
AL585005	30.5 x 23.5 x 16.5 cm / 6 pcs per master / G.W. 5.3 / N.W. 4.3KGS	Without conduit, add "X" after code

# LED Emergency Driver

(for external driver) High Output Voltage

americanlite®

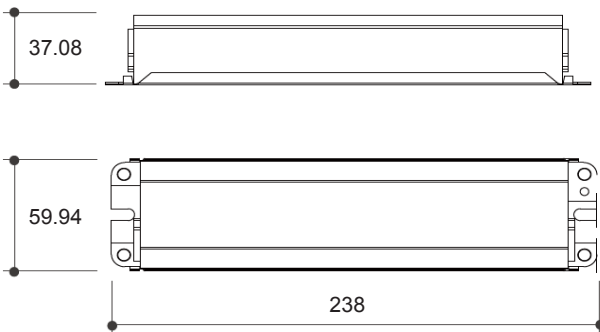
4w



## PRODUCT OVERVIEW

- To be use with fixtures with external driver
- Constant power output - Provides constant wattage to the LED array, preventing degradation of emergency illumination for the required runtime
- Suitable for enclosed and gasket fixtures
- 0° to 50°C indoor damp location listed
- Meets UL924
- Durable heavy duty steel housing
- Innovative, easy installation in minutes
- 120-277VAC/50-60Hz universal voltage operation
- Built-in Nickel cadmium battery for minimum 90 minutes emergency operation
- Maximum 24 hours for full recharge time
- Test switch and charge indicator

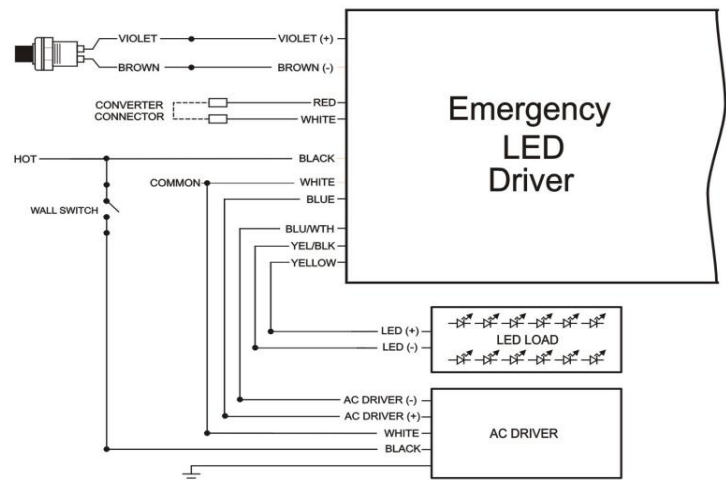
## DIMENSIONS (MM)



## SPECIFICATIONS

Mode of Operation	Works with external driver fixtures only
Input Wattage	5W
Input Current	36-50mA
Output Voltage	60-100 VDC or 100-150VDC
Output Power	4W Max
Battery	4.8V2800mAh Ni-Cad (500 cycles)
Max Charge Current (mA)	230mA
Max Discharge Current (mA)	1500mA
Maximum Lumen Output	4w x lumen/watt of the fixture
Working Temperature	0°C-50°C
Warranty	3 Years

## WIRING DIAGRAM



## NOTES

- Batteries should be installed within a year. Batteries must be tested and recharged at least once every 18 months to maintain proper function and avoid loss of warranty.
- Lighting fixture or lamp power should not exceed EM driver power to avoid damage and loss of warranty.

## ORDERING INFORMATION

Model	Type	Option	Packing information
AL585009	HV1 = 60-100V	X = No Flex Conduit	30.2 x 23.5 x 16.5 cm / 6 pcs per master / G.W. 5.3 / N.W. 4.3KGS
AL585009	HV2= 100-150V		

# LED Emergency Driver

(for external driver)

americanlite®



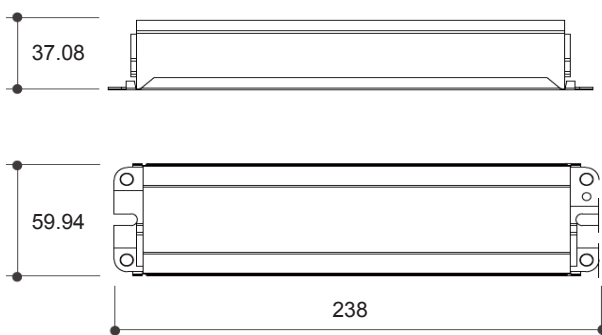
4w



## PRODUCT OVERVIEW

- To be use with fixtures with external driver
- Constant power output - Provides constant wattage to the LED array, preventing degradation of emergency illumination for the required runtime
- Suitable for enclosed and gasket fixtures
- 0° to 50°C indoor damp location listed
- Durable heavy duty steel housing
- Innovative, easy installation in minutes
- 120-277VAC/50-60Hz universal voltage operation
- Li-ion for minimum 90 minutes emergency operation
- Maximum 24 hours for full recharge time
- Test switch and charge indicator

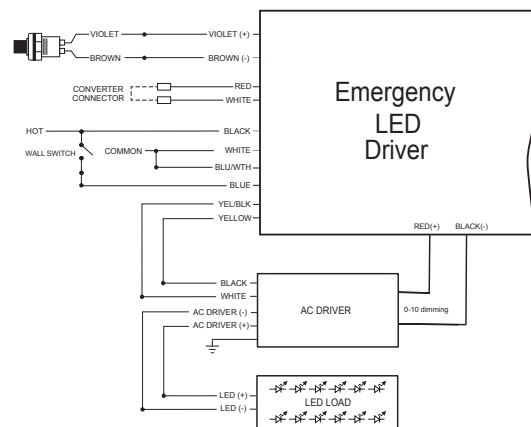
## DIMENSIONS (MM)



## SPECIFICATIONS

Mode of Operation	Works with external driver fixtures only
Input Wattage	5W
Input Current	36-50mA
Output Voltage	3-60VDC
Output Power	4W Max
Battery	3.7V4000mAh Li-ion (200 cycles)
Max Charge Current (mA)	250mA
Max Discharge Current (mA)	1500mA
Maximum Lumen Output	4w x lumen/watt of the fixture
Working Temperature	0°C-50°C
Warranty	3 Years

## WIRING DIAGRAM



## NOTES

- Batteries should be installed within a year. Batteries must be tested and recharged at least once every 6 months to maintain proper function and avoid loss of warranty.
- Lighting fixture or lamp power should not exceed EM driver power to avoid damage and loss of warranty.

## ORDERING INFORMATION

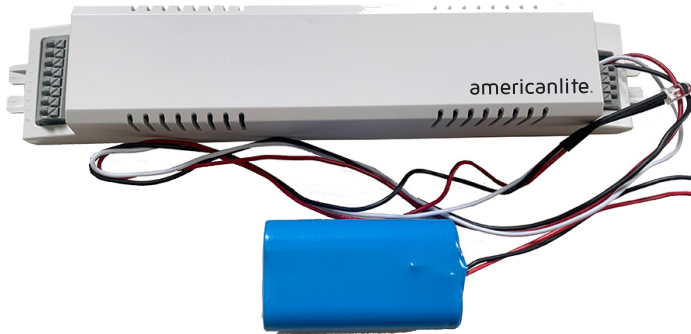
Model	Packing information
AL585012	30.5 x 23.5 x 16.5 cm / 6 pcs per master / G.W. 5.3 / N.W. 4.3KGS

# LED Emergency Driver (for external driver)

americanlite®



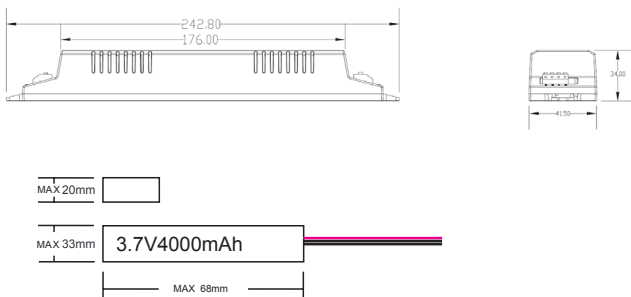
4w



## PRODUCT OVERVIEW

- To be use with fixtures with external driver,
- Constant power output - Provides constant wattage to the LED array, preventing degradation of emergency illumination for the required runtime
- Suitable for enclosed and gasket fixtures
- 0° to 50°C indoor damp location listed
- CE Cerification
- ABS housing
- Innovative, easy installation in minutes
- 85-265VAC/50-60Hz
- Li-ion for minimum 90 minutes emergency operation
- Maximum 24 hours for full recharge time
- Test switch and charge indicator

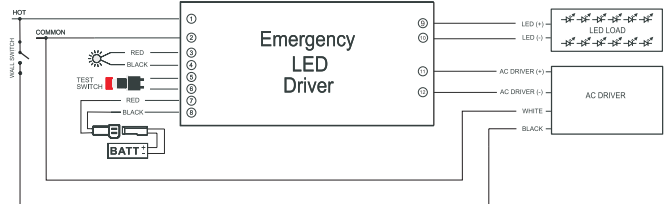
## DIMENSIONS (MM)



## SPECIFICATIONS

Mode of Operation	Works with external driver fixtures only
Input Wattage	4.5W
Input Current	10-40mA
Output Voltage	3-60VDC
Output Power	4W Max
Battery	3.7V4000mAh Li-ion (200 cycles)
Max Charge Current (mA)	300mA
Max Discharge Current (mA)	1500mA
Lumen Output	4w x lumen/watt of the fixture
Working Temperature	0°C-50°C
Warranty	3 Years

## WIRING DIAGRAM



## NOTES

- Batteries should be installed within a year. Batteries must be tested and recharged at least once every 6 months to maintain proper function and avoid loss of warranty.

## ORDERING INFORMATION

Model	Packing information
AL585020	40.5 x 26 x 17 cm / 16 pcs per master / G.W. 8 / N.W. 7 KGS

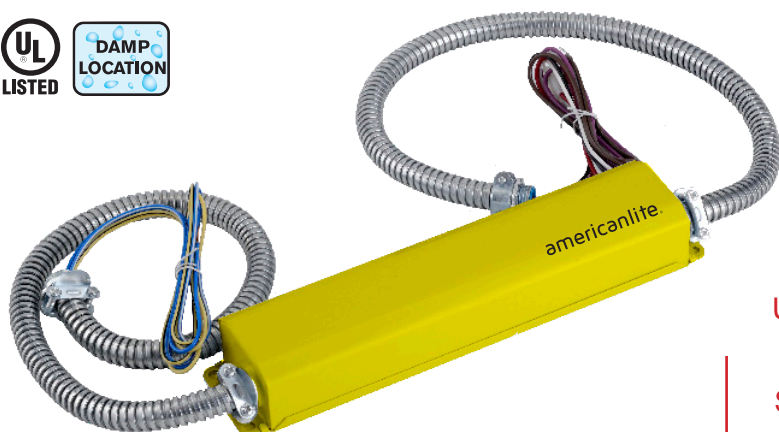
# LED Emergency Driver

(for external driver)

americanlite®



8w



UL Listed for factory installation or field installation

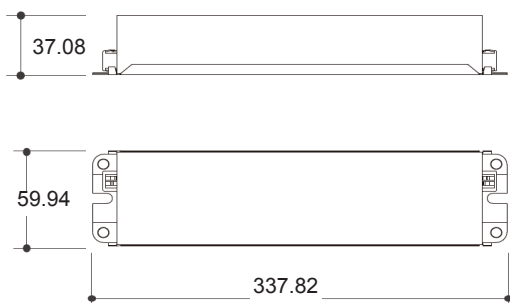
## SPECIFICATIONS

Mode of Operation	Works with external driver fixtures only
Input Wattage	5.5W
Input Current	40-50mA
Output Voltage	3-60VDC
Output Power	8W Max
Battery	6V4000mAh Ni-Cad (500 cycles)
Max Charge Current (mA)	420mA
Max Discharge Current (mA)	2200mA
Maximum Lumen Output	8w x lumen/watt of the fixture
Working Temperature	0°C-50°C
Warranty	3 Years

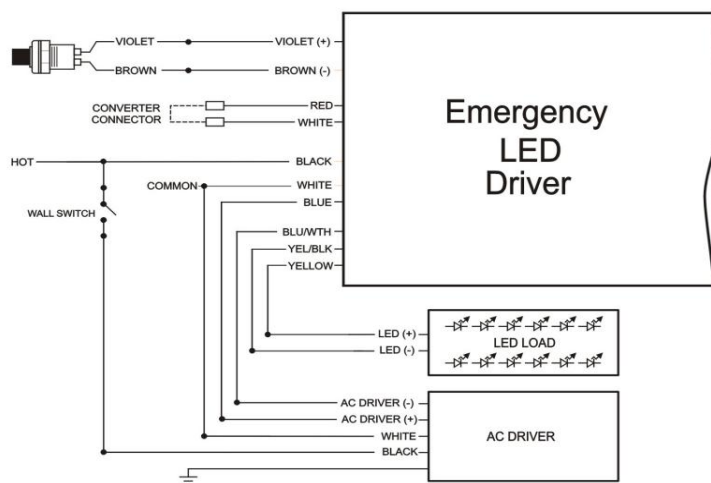
## PRODUCT OVERVIEW

- To be use with fixtures with external driver
- Constant power output - Provides constant wattage to the LED array, preventing degradation of emergency illumination for the required runtime
- Suitable for enclosed and gasket fixtures
- 0° to 50°C indoor damp location listed
- UL listed for field installation
- Meets UL924
- Durable heavy duty steel housing
- Innovative, easy installation in minutes
- 120-277VAC/50-60Hz universal voltage operation
- Built-in Nickel cadmium battery for minimum 90 minutes emergency operation
- Maximum 24 hours for full recharge time
- Test switch and charge indicator

## DIMENSIONS (MM)



## WIRING DIAGRAM



## NOTES

- Batteries should be installed within a year. Batteries must be tested and recharged at least once every 18 months to maintain proper function and avoid loss of warranty.
- Lighting fixture or lamp power should not exceed EM driver power to avoid damage and loss of warranty.

## ORDERING INFORMATION

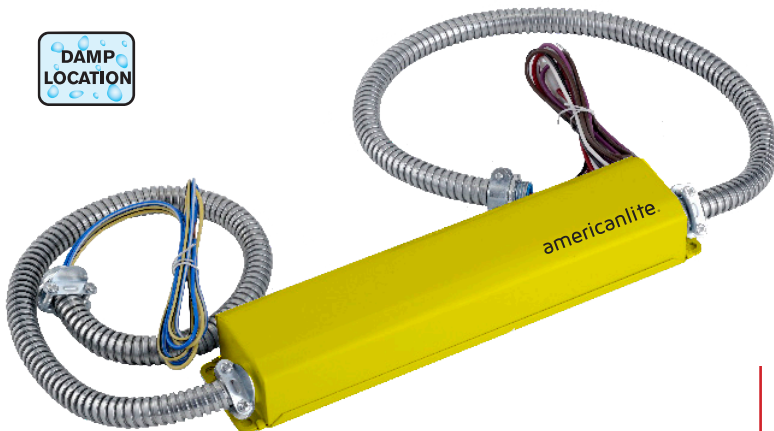
Model	Packing information	Option
AL585008	40 x 25 x 15.5 cm / 6 pcs per master / G.W. 8.3 / N.W. 7.3KGS	Without conduit, add "X" after code

# LED Emergency Driver

(for external driver) High Output Voltage

americanlite®

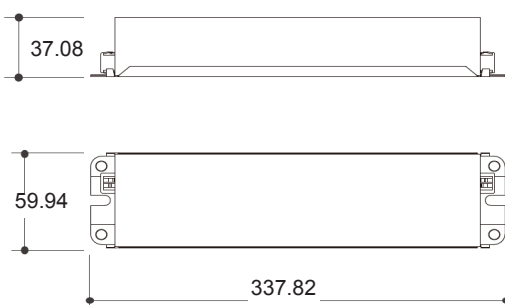
8w



## PRODUCT OVERVIEW

- To be use with fixtures with external driver
- Constant power output - Provides constant wattage to the LED array, preventing degradation of emergency illumination for the required runtime
- Suitable for enclosed and gasket fixtures
- 0° to 50°C indoor damp location listed
- Meets UL924
- Durable heavy duty steel housing
- Innovative, easy installation in minutes
- 120-277VAC/50-60Hz universal voltage operation
- Built-in Nickel cadmium battery for minimum 90 minutes emergency operation
- Maximum 24 hours for full recharge time
- Test switch and charge indicator

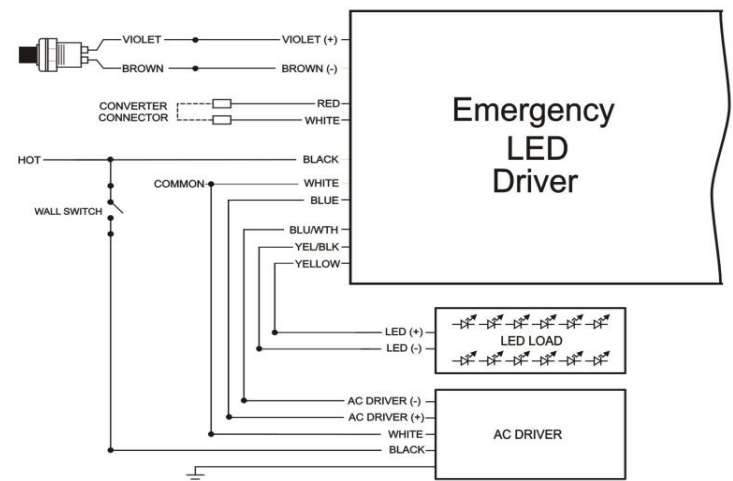
## DIMENSIONS



## SPECIFICATIONS

Mode of Operation	<b>Works with external driver fixtures only</b>
Input Wattage	5.5W
Input Current	40-50mA
Output Voltage Options	60-100VDC or 100-150VDC
Output Power	8W Max
Battery	6V4000mAh Ni-Cad (500 cycles)
Max Charge Current (mA)	210mA
Max Discharge Current (mA)	2200mA
Maximum Lumen Output	8w x lumen/watt of the fixture
Working Temperature	0°C-50°C
Warranty	3 Years

## WIRING DIAGRAM



## NOTES

- Batteries should be installed within a year. Batteries must be tested and recharged at least once every 18 months to maintain proper function and avoid loss of warranty.
- Lighting fixture or lamp power should not exceed EM driver power to avoid damage and loss of warranty.

## ORDERING INFORMATION

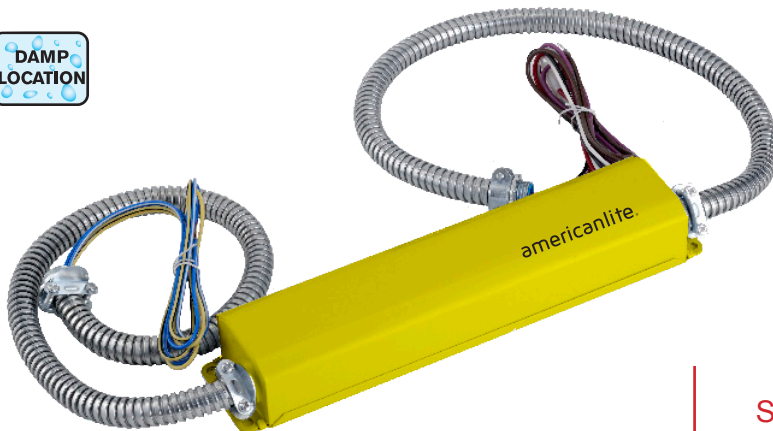
Model	Type	Option	Packing information
AL585010	HV1 = 60-100V	X = No Flex Conduit	40 x 25 x 15.5 cm / 6 pcs per master / G.W. 8.3 / N.W. 7.3KGS
AL585010	HV2= 100-150V		

# LED Emergency Driver

(for external driver) Wide Output Voltage Range

americanlite®

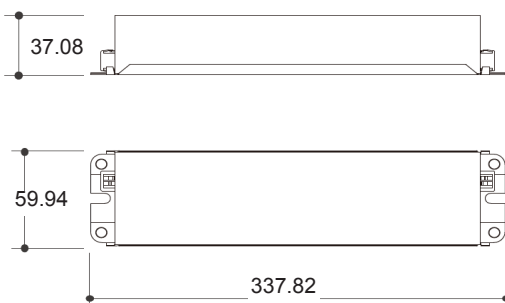
8w



## PRODUCT OVERVIEW

- To be use with fixtures with external driver
- Constant power output - Provides constant wattage to the LED array, preventing degradation of emergency illumination for the required runtime
- Suitable for enclosed and gasket fixtures
- 0° to 50°C indoor damp location listed
- Meets UL924
- Durable heavy duty steel housing
- Innovative, easy installation in minutes
- 120-277VAC/50-60Hz universal voltage operation
- Built-in Nickel cadmium battery for minimum 90 minutes emergency operation
- Maximum 24 hours for full recharge time
- Test switch and charge indicator

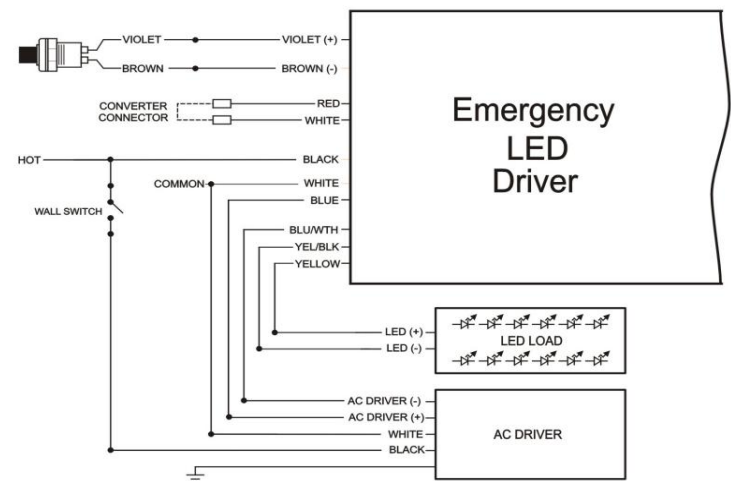
## DIMENSIONS



## SPECIFICATIONS

Mode of Operation	<b>Works with external driver fixtures only</b>
Input Wattage	5.5W
Input Current	40-50mA
Output Voltage Options	30-80VDC
Output Power	8W Max
Battery	6V4000mAh Ni-Cad (500 cycles)
Max Charge Current (mA)	210mA
Max Discharge Current (mA)	2200mA
Maximum Lumen Output	8w x lumen/watt of the fixture
Working Temperature	0°C-50°C
Warranty	3 Years

## WIRING DIAGRAM



## NOTES

- Batteries should be installed within a year. Batteries must be tested and recharged at least once every 18 months to maintain proper function and avoid loss of warranty.
- Lighting fixture or lamp power should not exceed EM driver power to avoid damage and loss of warranty.

## ORDERING INFORMATION

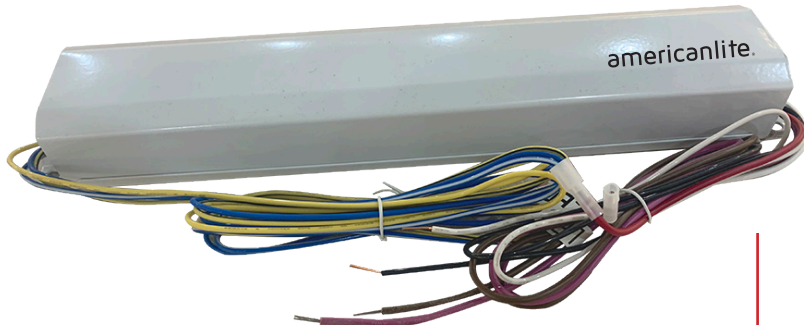
Model	Option	Packing information
AL585004	X = No Flex Conduit	40 x 25 x 15.5 cm / 6 pcs per master / G.W. 8.3 / N.W. 7.3KGS

# LED Emergency Driver (for external driver)

americanlite®



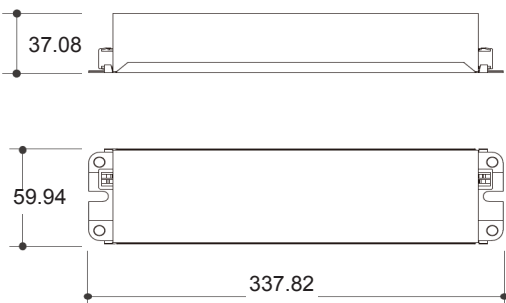
8w



## PRODUCT OVERVIEW

- To be use with fixtures with external driver
- Constant power output - Provides constant wattage to the LED array, preventing degradation of emergency illumination for the required runtime
- Suitable for enclosed and gasket fixtures
- 0° to 50°C indoor damp location listed
- Durable heavy duty steel housing
- Innovative, easy installation in minutes
- 120-277VAC/50-60Hz universal voltage operation
- Li-ion for minimum 90 minutes emergency operation
- Maximum 24 hours for full recharge time
- Test switch and charge indicator

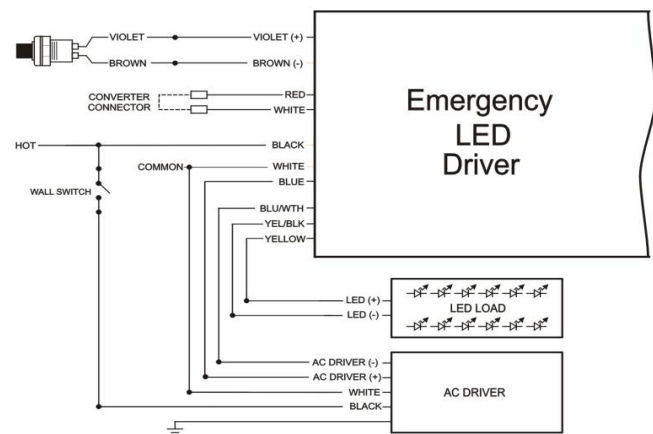
## DIMENSIONS (MM)



## SPECIFICATIONS

Mode of Operation	Works with external driver fixtures only
Input Wattage	5.5W
Input Current	40-50mA
Output Voltage	3-60VDC
Output Power	8W Max
Battery	7.4V4000mAh Li-ion (200 cycles)
Max Charge Current (mA)	420mA
Max Discharge Current (mA)	2200mA
Maximum Lumen Output	8w x lumen/watt of the fixture
Working Temperature	0°C-50°C
Warranty	3 Years

## WIRING DIAGRAM



## NOTES

- Batteries should be installed within a year. Batteries must be tested and recharged at least once every 6 months to maintain proper function and avoid loss of warranty.
- Lighting fixture or lamp power should not exceed EM driver power to avoid damage and loss of warranty.

## ORDERING INFORMATION

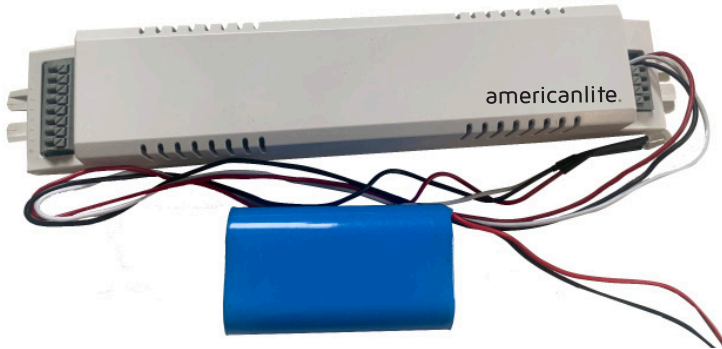
Model	Packing information
AL585013	40 x 25 x 15.5 cm / 6 pcs per master / G.W. 8.3 / N.W. 7.3KGS

# LED Emergency Driver (for external driver)

americanlite®



8w



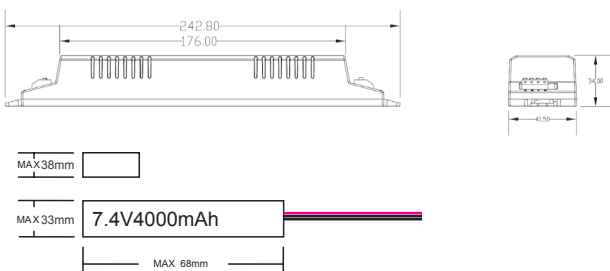
## PRODUCT OVERVIEW

- To be use with fixtures with external driver,
- Constant power output - Provides constant wattage to the LED array, preventing degradation of emergency illumination for the required runtime
- Suitable for enclosed and gasket fixtures
- 0° to 50°C indoor damp location listed
- CE Cerification
- ABS housing
- Innovative, easy installation in minutes
- 85-265VAC/50-60Hz
- Li-ion for minimum 90 minutes emergency operation
- Maximum 24 hours for full recharge time
- Test switch and charge indicator

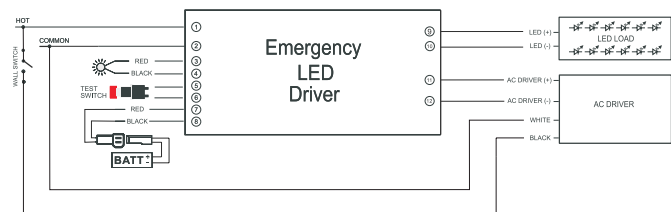
## SPECIFICATIONS

	Works with external driver fixtures only
Input Wattage	5.5W
Input Current	10-50mA
Output Voltage	3-60VDC
Output Power	8W Max
Battery	7.4V4000mAh Li-ion (200 cycles)
Max Charge Current (mA)	300mA
Max Discharge Current (mA)	2200mA
Lumen Output	8w x lumen/watt of the fixture
Working Temperature	0°C-50°C
Warranty	3 Years

## DIMENSIONS (MM)



## WIRING DIAGRAM



## NOTES

- Batteries should be installed within a year. Batteries must be tested and recharged at least once every 6 months to maintain proper function and avoid loss of warranty.

## ORDERING INFORMATION

Model	Packing information
AL585023	40.5 x 26 x 17 cm / 16 pcs per master / G.W. 8 / N.W. 7 KGS

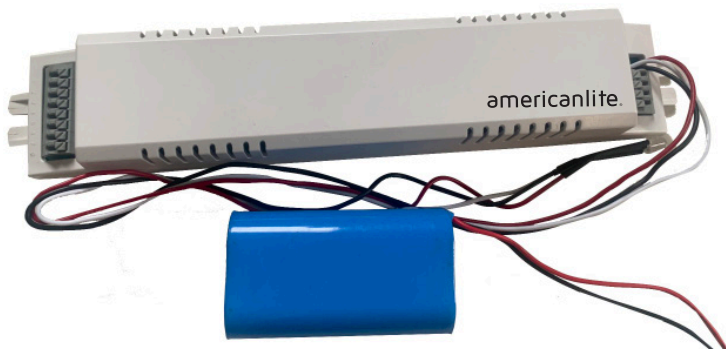
# LED Emergency Driver

(for external driver) High Output Voltage

americanlite®



8w



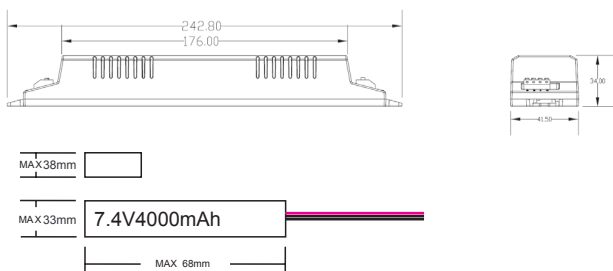
## PRODUCT OVERVIEW

- To be use with fixtures with external driver,
- Constant power output - Provides constant wattage to the LED array, preventing degradation of emergency illumination for the required runtime
- Suitable for enclosed and gasket fixtures
- 0° to 50°C indoor damp location listed
- CE Cerification
- ABS housing
- Innovative, easy installation in minutes
- 85-265VAC/50-60Hz
- Li-ion for minimum 90 minutes emergency operation
- Maximum 24 hours for full recharge time
- Test switch and charge indicator

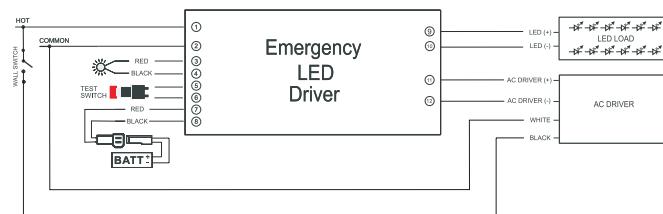
## SPECIFICATIONS

	Works with external driver fixtures only
Input Wattage	5.5W
Input Current	10-50mA
Output Voltage	60-100VDC or 100-150VDC
Output Power	8W Max
Battery	7.4V4000mAh Li-ion (200 cycles)
Max Charge Current (mA)	300mA
Max Discharge Current (mA)	2200mA
Lumen Output	8w x lumen/watt of the fixture
Working Temperature	0°C-50°C
Warranty	3 Years

## DIMENSIONS (MM)



## WIRING DIAGRAM



## NOTES

- Batteries should be installed within a year. Batteries must be tested and recharged at least once every 6 months to maintain proper function and avoid loss of warranty.

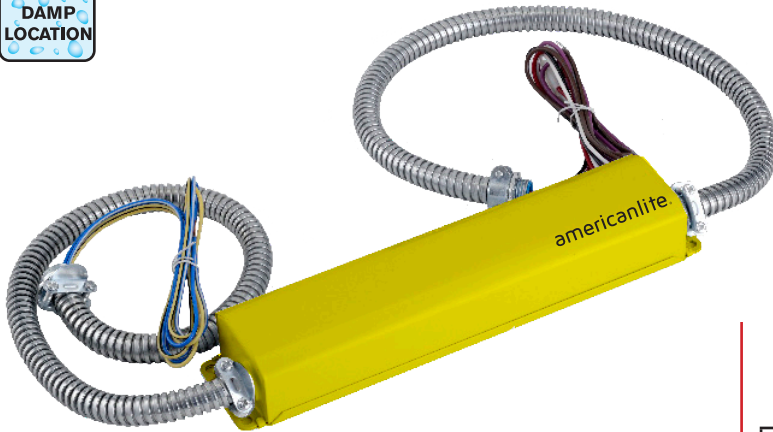
## ORDERING INFORMATION

Model	Type	Packing information
AL585023HV1	HV1 = 60-100V	40.5 x 26 x 17 cm / 16 pcs per master / G.W. 8 / N.W. 7 KGS
AL585023HV2	HV2= 100-150V	

# LED Emergency Driver (for external driver)

americanlite®

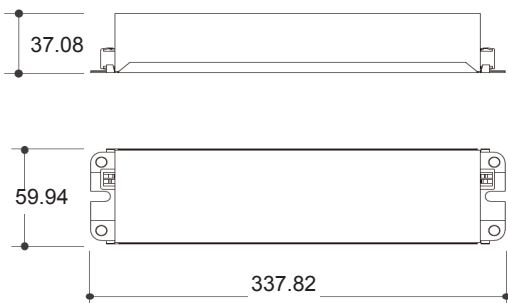
10w



## PRODUCT OVERVIEW

- To be use with fixtures with external driver
- Constant power output - Provides constant wattage to the LED array, preventing degradation of emergency illumination for the required runtime
- Suitable for enclosed and gasket fixtures
- 0° to 50°C indoor damp location listed
- Meets UL924
- Durable heavy duty steel housing
- Innovative, easy installation in minutes
- 120-277VAC/50-60Hz universal voltage operation
- Built-in Nickel cadmium battery for minimum 90 minutes emergency operation
- Maximum 24 hours for full recharge time

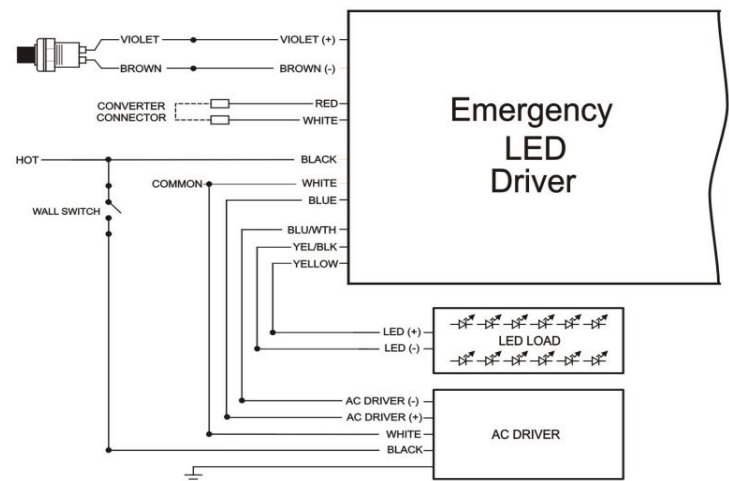
## DIMENSIONS (MM)



## SPECIFICATIONS

Mode of Operation	Works with external driver fixtures only
Input Wattage	5W
Input Current	85-50mA
Output Voltage	20-50VDC
Output Power	10.4W Max
Battery	6V4500mAh Ni-Cad (500 cycles)
Max Charge Current (mA)	420mA
Max Discharge Current (mA)	2500mA
Maximum Lumen Output	10W x lumen/watt of the fixture
Working Temperature	0°C-50°C
Warranty	3 Years

## WIRING DIAGRAM



## NOTES

- Batteries should be installed within a year. Batteries must be tested and recharged at least once every 18 months to maintain proper function and avoid loss of warranty.
- Lighting fixture or lamp power should not exceed EM driver power to avoid damage and loss of warranty.

## ORDERING INFORMATION

Model	Packing information	Option
AL585011	40 x 25 x 15.5 cm / 6 pcs per master / G.W. 8.3 / N.W. 7.3KGS	Without conduit, add "X" after code

## Remote Test Switch



### APPLICATION

- RTS provides remote capability for Americanlite LED ER drivers.

### ELECTRICAL

- Power "ON" LED indicator light and push-to-test switch for mandated code compliance testing.

### MOUNTING

- Remote Test Switch can be mounted to any standard switch box.
- Suitable for wall or ceiling mount.

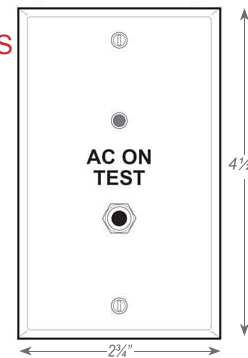
### CONSTRUCTION

- Injection-molded, engineering-grade, V-0 flame retardant mounting plate in white finish.

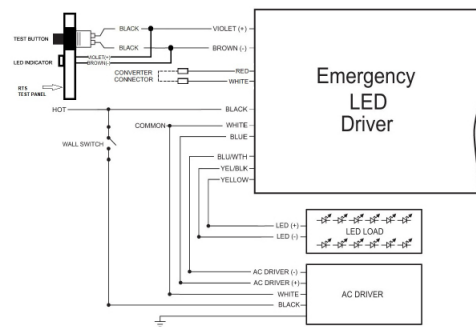
### WARRANTY/LISTING

- Five year warranty.
- For indoor damp locations (0° - 40°C).

### DIMENSIONS



### WIRING DIAGRAM



### ORDERING INFORMATION

**Model**

RTS

### PACKING INFORMATION

Pieces per master	Box Dimensions (cm)	CBM (Master)	Gross weight (Kg)
200	50x44x39	0.0858	15



---

## Warranty

Americanlite® is pleased to provide a 5 year limited warranty on all electronics and housing, NI-MH and NI-CD batteries 3 years, Li-ion batteries 2 years. Americanlite® warrants that the Emergency Fixtures and LED drivers comply with Americanlite®'s published specifications and are free from defects in materials and workmanship.

All our equipment is CE, TUV, FCC or UL approved and manufactured with approved components. Americanlite® reserves the right to change or improve the design or components of any of its products due to parts availability or changes in standards, without assuming any obligation to modify any product previously manufactured and without notice. All equipment is tested and inspected before shipment.

This warranty is void if the product is operated outside of its normal operating conditions. The foregoing warranty does not apply to failures caused by acts of God or as a result of any abuse, misuse, abnormal use, or use in violation of any applicable standard, code or instructions for use in installations, including, but not limited to, those contained in the Standards for the International Electrotechnical Commission. Americanlite® reserves and has the right to examine failed fixtures to determine the cause of failure, excessive lumen depreciation and patterns of usage.