



**UL LED Downlite™**

**USA Quickship program**

**americanlite®**

**We light your world™**



## Double Ring Ceiling Light Selectable CCT



### STANDARDS



### HOUSING

- Brushed Nickel steel, white housing.

### ELECTRICAL

- Universal 120V AC voltage (60Hz) is standard.
- Triac dimming.
- Input transient surge protection = 0.5kV.
- Power factor > 0.90.

### OPTICAL SYSTEM

- Plastic diffuser.
- Field selectable 2700k(soft white), 3000k(warm white), 3500k(warm/neutral white), 4000k (neutral white) and 5000k (cool white) color temperatures\*.
- Delivers a range of 1,200 to 2,000 nominal lumens\*.
- Long-life LEDs provide 139,000 hours of operation with at least 70% of initial lumen output (L70)\*\*.
- LED color maintenance <math>< 0.00346</math> chromaticity shift ( $\Delta u'v'$ ) over the initial 6,000 hours of operation.
- Color rendering index > 90.

\* Factory Default kelvin temperature 4000k and highest lumen output

\*\*L70 hours are IES TM-21-11 calculated hours.

### MOUNTING

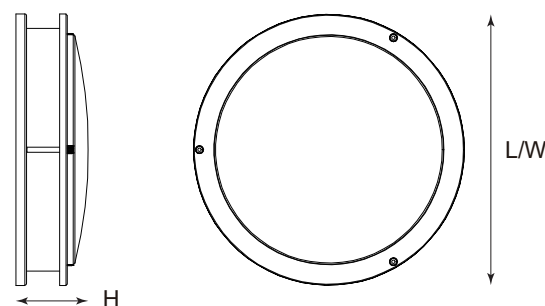
- Surface mounting and retrofit installation.
- Covered ceiling mount .

### CODE COMPLIANCE

- cETLus listed for damp locations.
- Complies with FCC part 15, class B.

### WARRANTY

- 5 year warranty on all electronics and housing.



| Model #       | L (in) | W (in) | H (in) | Weight (lbs) |
|---------------|--------|--------|--------|--------------|
| DR12-12L-5CCT | 11.81  | 11.81  | 3.54   | 1.66         |
| DR14-18L-5CCT | 13.78  | 13.78  | 3.54   | 2.21         |
| DR16-20L-5CCT | 15.75  | 15.75  | 3.54   | 3.10         |

### ORDERING INFORMATION

Example: DR12-12L-5CCT

| Model | Nominal Lumen Output |               | Kelvin Selectable                      |
|-------|----------------------|---------------|--|
| DR-12 | 12L                  | 1200 lm / 17W | 5CCT 2700 / 3000 / 3500 / 4000 / 5000K |
| DR-14 | 18L                  | 1800 lm / 22W |  |
| DR-16 | 20L                  | 2000 lm / 26W |  |

## COMPATIBLE DIMMERS AND CONTROLS

| Manufacturer   | Model Number   |              |                 |
|----------------|----------------|--------------|-----------------|
| <b>Lutron</b>  | TG-600PR-WH    | SLV-600P-AL  | DVCL-153P       |
|                | S-600PR-WH     | DV-600PR-WH  | MSCL-OP153M     |
|                | CTCL-153PDH-WH | SCL-153PH-WH | PD-6WCL         |
|                | TGCL-153PH-LA  | GT-600P      | MACL-153M//MA-R |
| <b>Leviton</b> | 6672           | 6674         | IPL06           |
|                | RNL06          | DSL06        | -               |

## Round Flat Disk Lights Selectable CCT



### STANDARDS



### HOUSING

- Die casting aluminum
- Powder coat white finish standard.
- Black and brushed nickel trim ring selectable.

### ELECTRICAL

- Universal 120V AC voltage (60Hz) is standard.
- Triac dimming.
- Input transient surge protection = 0.5kV.
- Power factor > 0.90.
- Total Harmonic distortion < 20%.

### OPTICAL SYSTEM

- Plastic diffuser.
- Field selectable 2700k(soft white), 3000k(warm white), 3500k(warm/neutral white), 4000k (neutral white) and 5000k (cool white) color temperatures\*.
- Delivers a range of 800 to 2,200 nominal lumens\*.
- Long-life LEDs provide 174,000 hours of operation with at least 70% of initial lumen output (L70), and 51,000 hours with at least 90% of initial lumen output (L90)\*\*.
- LED color maintenance < -0.0078 chromaticity shift ( $\Delta u'v'$ ) over the initial 6,000 hours of operation.
- Color rendering index > 90.

### MOUNTING

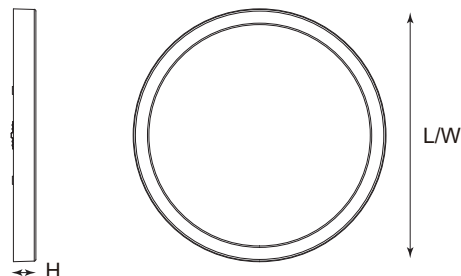
- Surface mounting and retrofit installation.
- Covered ceiling mount .

### CODE COMPLIANCE

- cETLus listed for wet locations.
- Energy Star certificated, excludes DL11-20L-5CCT and DL13-22L-5CCT.
- Complies with FCC part 15, class B.
- Complies with Title 24.

### WARRANTY

- 5 year warranty on all electronics and housing.



| Model #       | L (in) | W (in) | H (in) | Weight (lbs) |
|---------------|--------|--------|--------|--------------|
| DL5-8L-5CCT   | 5.51   | 5.51   | 0.79   | 0.99         |
| DL7-12L-5CCT  | 7.48   | 7.48   | 0.79   | 1.33         |
| DL9-14L-5CCT  | 8.86   | 8.86   | 0.79   | 1.55         |
| DL11-20L-5CCT | 10.98  | 10.98  | 0.98   | 1.77         |
| DL13-22L-5CCT | 12.80  | 12.80  | 0.98   | 2.1          |

\* Factory Default kelvin temperature 4000k and highest lumen output

\*\*L70 and L90 hours are IES TM-21-11 calculated hours.

### ORDERING INFORMATION

Example: DL7-12L-5CCT

| Model | Nominal Lumen Output |         | Kelvin Selectable                      |
|-------|----------------------|---------|--|
| DL5   | 8L                   | 800 lm  | 5CCT 2700 / 3000 / 3500 / 4000 / 5000K |
| DL7   | 12L                  | 1200 lm |  |
| DL9   | 14L                  | 1400 lm |  |
| DL11  | 20L                  | 2000 lm |  |
| DL13  | 22L                  | 2200 lm |  |

## ACCESSORIES (ORDER SEPARATELY)

**Trim Rings**

|          |   |   |
|----------|---|---|
| TR-7-BK  | = | Black trim ring for use with DL7-12L-5CCT           |
| TR-7-BN  | = | Brushed nickel trim ring for use with DL7-12L-5CCT  |
| TR-13-BK | = | Black trim ring for use with DL13-22L-5CCT          |
| TR-13-BN | = | Brushed nickel trim ring for use with DL13-22L-5CCT |

## COMPATIBLE DIMMERS AND CONTROLS

| Manufacturer | Model Number   |             |             |
|--------------|----------------|-------------|-------------|
| Lutron       | TG-600PR-WH    | SLV-600P-AL | MSCL-OP153M |
|              | CT-103PR-WH    | DVWCL-153PH | DVRF-6L     |
|              | CTCL-153PDH-WH | GT-600P     | PD-6WCL     |
|              | STCL-153MR     | RCL-153RNL  | CTCL-150H   |
|              | TGCL-153PH-LA  | DVCL-153P   | S2-LFSQH-WH |
|              | MACL-153MA     | -           | -           |
| Leviton      | 6672           | 6674        | DSL06       |
|              | IPL06          | RNL06       | -           |

## LUMEN TABLES

| Series      | Measurements | Lumens |       |       |       |       |
|-------------|--------------|--------|-------|-------|-------|-------|
|             |              | 2700K  | 3000K | 3500K | 4000K | 5000K |
| DL5-8L-5CCT | Lumens       | 784    | 816   | 856   | 849   | 828   |
|             | Watts        | 9.57   | 9.63  | 9.73  | 9.64  | 9.47  |
|             | Efficacy     | 81.95  | 84.74 | 87.98 | 88.07 | 87.43 |

| Series       | Measurements | Lumens |       |       |       |       |
|--------------|--------------|--------|-------|-------|-------|-------|
|              |              | 2700K  | 3000K | 3500K | 4000K | 5000K |
| DL7-12L-5CCT | Lumens       | 1051   | 1138  | 1224  | 1250  | 1156  |
|              | Watts        | 14.25  | 14.51 | 14.84 | 14.86 | 14.42 |
|              | Efficacy     | 73.75  | 78.43 | 82.48 | 84.12 | 80.17 |

| Series       | Measurements | Lumens |       |       |       |       |
|--------------|--------------|--------|-------|-------|-------|-------|
|              |              | 2700K  | 3000K | 3500K | 4000K | 5000K |
| DL9-14L-5CCT | Lumens       | 1275   | 1352  | 1486  | 1448  | 1381  |
|              | Watts        | 16.85  | 16.97 | 17.72 | 17.11 | 16.72 |
|              | Efficacy     | 75.67  | 79.67 | 83.86 | 84.63 | 82.60 |

| Series        | Measurements | Lumens |       |       |        |       |
|---------------|--------------|--------|-------|-------|--------|-------|
|               |              | 2700K  | 3000K | 3500K | 4000K  | 5000K |
| DL11-20L-5CCT | Lumens       | 1810   | 1926  | 2045  | 2114   | 2083  |
|               | Watts        | 21.1   | 20.85 | 20.51 | 20.48  | 20.97 |
|               | Efficacy     | 85.78  | 92.37 | 99.71 | 103.22 | 99.33 |

| Series        | Measurements | Lumens |       |        |        |        |
|---------------|--------------|--------|-------|--------|--------|--------|
|               |              | 2700K  | 3000K | 3500K  | 4000K  | 5000K  |
| DL13-22L-5CCT | Lumens       | 2042   | 2151  | 2292   | 2337   | 2301   |
|               | Watts        | 23.03  | 22.76 | 22.34  | 22.46  | 22.98  |
|               | Efficacy     | 88.67  | 94.51 | 102.60 | 104.05 | 100.13 |

## Disk Light Kelvin Field Selectable

### STANDARDS



### HOUSING

- Premium powder-coat, steel , white housing.

### ELECTRICAL

- 120V AC voltage (60Hz) is standard.
- Triac dimming.
- Input transient surge protection = 0.5kV.
- Power factor > 0.90.
- Total Harmonic distortion < 20%.

### OPTICAL SYSTEM

- Polycarbonate diffuser.
- Field selectable 2700k(soft white), 3000k(warm white), 3500k(warm/neutral white), 4000k (neutral white) and 5000k (cool white) color temperatures\*.
- DK4-8L-KFS to provide a range delivers 741 to 830 nominal lumens\*.
- DK6-10L-KFS to provide a range delivers 1153 to 1268 nominal lumens\*.
- Long-life LEDs provide 134,000 hours of operation with at least 70% of initial lumen output (L70), and 41,000 hours with at least 90% of initial lumen output (L90)\*\*.
- Beam angle 120°.
- Color rendering index > 90.

\* Default 4000k kelvin temperature  
\*\*L70 & L90 hours are IES TM-21-11 calculated hours.



### MOUNTING

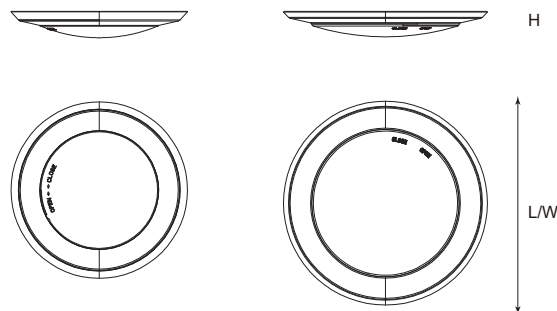
- Surface mounting and retrofit installation.
- Covered ceiling mount.

### CODE COMPLIANCE

- cETLus listed for wet locations.
- Energy Star certified.
- Complies with FCC part 15, class B.
- Complies with Title 24.

### WARRANTY

- 5 year warranty on all electronics and housing.



| Model #     | L (in) | W (in) | H (in) | Weight (lbs) |
|-------------|--------|--------|--------|--------------|
| DK4-8L-KFS  | 5.87   | 5.87   | 0.87   | 0.35         |
| DK6-10L-KFS | 7.22   | 7.22   | 0.9    | 0.49         |

### ORDERING INFORMATION

Example: DK4-8L-KFS

| Series | Nominal Lumen Output |         | Kelvin Selectable                  |
|--------|----------------------|---------|------------------------------------|
| DK4    | 8L                   | 800 lm  | KFS 2700 / 3000/ 3500/ 4000/ 5000K |
| DK6    | 10L                  | 1000 lm |                                    |

## LUMEN TABLES

| Series     | Measurements | Mid Lumens |       |       |       |       |
|------------|--------------|------------|-------|-------|-------|-------|
|            |              | 2700K      | 3000K | 3500K | 4000K | 5000K |
| DK4-8L-KFS | Lumens       | 741        | 773   | 829   | 832   | 830   |
|            | Watts        | 9.82       | 9.84  | 9.96  | 9.91  | 9.88  |
|            | Efficacy     | 75.50      | 78.51 | 83.23 | 83.91 | 84.02 |

| Series      | Measurements | Mid Lumens |       |       |       |       |
|-------------|--------------|------------|-------|-------|-------|-------|
|             |              | 2700K      | 3000K | 3500K | 4000K | 5000K |
| DK6-10L-KFS | Lumens       | 1,153      | 1,206 | 1,289 | 1,277 | 1,268 |
|             | Watts        | 14.26      | 14.42 | 14.69 | 14.45 | 14.37 |
|             | Efficacy     | 80.86      | 83.63 | 87.75 | 88.37 | 88.24 |

## ELECTRICAL DATA

| Series     | CCT   | Input Amps (A) |
|------------|-------|----------------|
|            |       | Mid Lumens     |
|            |       | 120V           |
| DK4-8L-KFS | 2700K | 0.08           |
|            | 3000K | 0.08           |
|            | 3500K | 0.08           |
|            | 4000K | 0.08           |
|            | 5000K | 0.08           |

| Series      | CCT   | Input Amps (A) |
|-------------|-------|----------------|
|             |       | Mid Lumens     |
|             |       | 120V           |
| DK6-10L-KFS | 2700K | 0.12           |
|             | 3000K | 0.12           |
|             | 3500K | 0.12           |
|             | 4000K | 0.12           |
|             | 5000K | 0.12           |

## COMPATIBLE DIMMERS AND CONTROLS

| Manufacturer | Model Number   |              |                 |
|--------------|----------------|--------------|-----------------|
| Lutron       | TG-600PR-WH    | SLV-600P-AL  | DVCL-153P       |
|              | S-600PR-WH     | DV-600PR-WH  | MSCL-OP153M     |
|              | CTCL-153PDH-WH | SCL-153PH-WH | PD-6WCL         |
|              | TGCL-153PH-LA  | GT-600P      | MACL-153M//MA-R |
| Leviton      | 6672           | 6674         | IPL06           |
|              | RNL06          | DSL06        | -               |

## Disk Light with PIR sensor Kelvin Field Selectable

### STANDARDS



### HOUSING

- Premium powder-coat, steel, white housing.

### ELECTRICAL

- 120V AC voltage (60Hz) is standard.
- Triac dimming.
- Input transient surge protection = 0.5kV.
- Power factor > 0.90.
- Total Harmonic distortion < 20%.

### OPTICAL SYSTEM

- Polycarbonate diffuser.
- Field selectable 2700k(soft white), 3000k(warm white), 3500k(warm/neutral white), 4000k (neutral white) and 5000k (cool white) color temperatures\*.
- DK4-8L-KFS-OS to provide a range delivers 770 to 812 nominal lumens\*.
- DK6-10L-KFS-OS to provide a range delivers 1123 to 1235 nominal lumens\*.
- Long-life LEDs provide 139,000 hours of operation with at least 70% of initial lumen output (L70), and 42,000 hours with at least 90% of initial lumen output (L90)\*\*.
- Beam angle 110°.
- Integrated PIR occupancy sensor standard.
- Sensor hold-time adjustable by switch.
- Color rendering index > 90.

\* Default 4000k kelvin temperature and highest lumen output.  
\*\*L70 & L90 hours are IES TM-21-11 calculated hours.



### MOUNTING

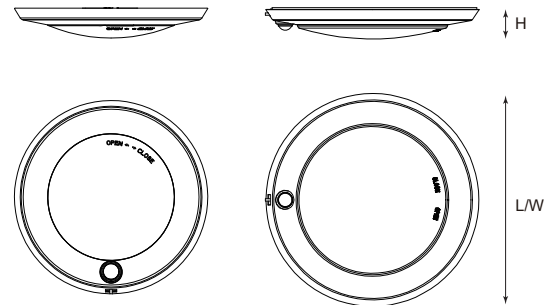
- Surface mounting and retrofit installation.
- Covered ceiling mount.

### CODE COMPLIANCE

- cETLus listed for wet locations.
- Energy Star certified.
- Complies with FCC part 15, class B.
- Complies with Title 24.

### WARRANTY

- 5 year warranty on all electronics and housing.



| Model #        | L (in) | W (in) | H (in) | Weight (lbs) |
|----------------|--------|--------|--------|--------------|
| DK4-8L-KFS-OS  | 6.02   | 6.02   | 0.93   | 0.33         |
| DK6-10L-KFS-OS | 7.4    | 7.4    | 1.03   | 0.53         |

### ORDERING INFORMATION

Example: DK4-8L-KFS-OS

| Series | Nominal Lumen Output |         | Kelvin Selectable                  | Sensor                             |
|--------|----------------------|---------|------------------------------------|------------------------------------|
| DK4    | 8L                   | 800 lm  | KFS 2700 / 3000/ 3500/ 4000/ 5000K | OS Integrated PIR Occupancy sensor |
| DK6    | 10L                  | 1000 lm |                                    |                                    |

## LUMEN TABLES

| Series        | Measurements | Mid Lumens |       |       |       |       |
|---------------|--------------|------------|-------|-------|-------|-------|
|               |              | 2700K      | 3000K | 3500K | 4000K | 5000K |
| DK4-8L-KFS-OS | Lumens       | 770        | 785   | 828   | 837   | 812   |
|               | Watts        | 9.96       | 9.98  | 9.99  | 9.97  | 9.84  |
|               | Efficacy     | 77.25      | 78.68 | 82.90 | 83.89 | 82.51 |

| Series         | Measurements | Mid Lumens |       |       |       |       |
|----------------|--------------|------------|-------|-------|-------|-------|
|                |              | 2700K      | 3000K | 3500K | 4000K | 5000K |
| DK6-10L-KFS-OS | Lumens       | 1,123      | 1,140 | 1,235 | 1,203 | 1,140 |
|                | Watts        | 13.68      | 13.69 | 14.04 | 13.87 | 13.56 |
|                | Efficacy     | 82.09      | 83.27 | 87.96 | 86.73 | 84.07 |

## ELECTRICAL DATA

| Series        | CCT   | Input Amps (A) |
|---------------|-------|----------------|
|               |       | Mid Lumens     |
|               |       | 120V           |
| DK4-8L-KFS-OS | 2700K | 0.08           |
|               | 3000K | 0.08           |
|               | 3500K | 0.08           |
|               | 4000K | 0.08           |
|               | 5000K | 0.08           |

| Series         | CCT   | Input Amps (A) |
|----------------|-------|----------------|
|                |       | Mid Lumens     |
|                |       | 120V           |
| DK6-10L-KFS-OS | 2700K | 0.11           |
|                | 3000K | 0.11           |
|                | 3500K | 0.12           |
|                | 4000K | 0.12           |
|                | 5000K | 0.11           |

## COMPATIBLE DIMMERS AND CONTROLS

| Manufacturer   | Model Number   |              |                 |
|----------------|----------------|--------------|-----------------|
| <b>Lutron</b>  | TG-600PR-WH    | SLV-600P-AL  | DVCL-153P       |
|                | S-600PR-WH     | DV-600PR-WH  | MSCL-OP153M     |
|                | CTCL-153PDH-WH | SCL-153PH-WH | PD-6WCL         |
|                | TGCL-153PH-LA  | GT-600P      | MACL-153M//MA-R |
| <b>Leviton</b> | 6672           | 6674         | IPL06           |
|                | RNL06          | DSL06        | -               |

## Architectural Pendant Cylinder Luminaire Lumen & Kelvin Selectable

### STANDARDS



### HOUSING

- Premium powder-coat, aluminum, bronze housing.

### ELECTRICAL

- Operating temperature (ambient): -40°C to 45°C (-40°F to 113°F).
- Universal 120-277V AC voltage (50-60Hz) is standard.
- 0-10VDC dimming drivers are standard.
- Surge protection = 4kV.
- Power factor > 0.90.

### OPTICAL SYSTEM

- Silicon dioxide glass lens.
- Field selectable 2700k (soft white), 3000k (warm white), 3500k (warm/neutral white), 4000k (neutral white) and 5000k (cool white) color temperatures\*.
- Tri-Lumen selectable provides a range of 978 to 1907 nominal lumens\*.
- Long-life LEDs provide 140,000 hours of operation with at least 70% of initial lumen output (L70), and 41,000 hours with at least 90% of initial lumen output (L90)\*\*.
- Fixtures comes installed with 40 degree reflector.
- Available field replaceable reflectors for 25° and 60°.
- LED color maintenance < 0.0004 chromaticity shift ( $\Delta u'v'$ ) over the initial 6,000 hours of operation.
- Color rendering index > 90.

\* Default 4000k color temperature and highest lumen output.

\*\*L70 hours are IES TM-21-11 calculated hours.



### MOUNTING

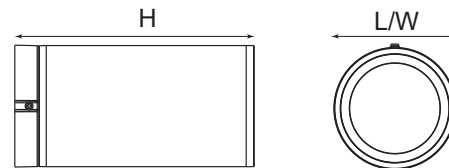
- Optional Surface mount kit.
- Optional Cord mount kit.
- Optional Stem mount kit (Sold separately).†

### CODE COMPLIANCE

- cULus listed for wet locations.
- Energy Star certified.
- Complies with FCC part 15, class B.

### WARRANTY

- 5 year warranty on all electronics and housing.



| Model #            | L (in) | W (in) | H (in) | Weight (lbs) |
|--------------------|--------|--------|--------|--------------|
| APEN4-221L-5CCT-SM | 4.17   | 4.17   | 8.27   | 2.39         |
| APEN4-221L-5CCT-CM | 4.17   | 4.17   | 67.30  | 2.58         |

### ORDERING INFORMATION

Example: APEN4-221L-5CCT-SM

| Series | Nominal Lumen Output (Selectable) |                      | Kelvin Selectable                          | Mounting Method                         |
|--------|-----------------------------------|----------------------|--|---|
|        | 221L                              | 2000 / 1600 / 1000lm |  |   |
| APEN4  | 221L                              | 2000 / 1600 / 1000lm | 5CCT 2700K / 3000K / 3500K / 4000K / 5000K | SM Surface Mounting<br>CM Cord Mounting |

## ACCESSORIES (ORDER SEPARATELY)

### Reflector

APEN4-REFL-25 = 25° Reflector for APEN4-221L-5CCT

APEN4-REFL-60 = 60° Reflector for APEN4-221L-5CCT

### Mounting Option

APEN-MT-STEM = Stem Mount for APEN4-221L-5CCT (consists of 4 stems measuring 12") †

### Mounting Accessory

APEN-JBOX-COVER = Junction Box Cover for APEN4-221L-5CCT

† Note: Must order APEN4-221L-5CCT-CM version (cord mount) to use stem mount kit. e: Must order APEN

## COMPATIBLE DIMMERS AND CONTROLS

| Manufacturer | Model Number | Dimmer Range | Load Switching Capacity |
|--------------|--------------|--------------|-------------------------|
| Americanlite | DWS-010V-T   | 10%-100%     | 600W                    |
| Americanlite | DWS-010V-D   | 10%-100%     | 600W                    |
| Leviton      | IP710-LFZ    | 10%-100%     | 1200W                   |
| Lutron       | DVSTV        | 10%-100%     | 450W                    |

## LUMEN TABLES

| Series          | Measurements | Low Lumens |       |       |       |        | Mid Lumens |       |       |       |        | High Lumens |       |       |       |       |
|-----------------|--------------|------------|-------|-------|-------|--------|------------|-------|-------|-------|--------|-------------|-------|-------|-------|-------|
|                 |              | 2700K      | 3000K | 3500K | 4000K | 5000K  | 2700K      | 3000K | 3500K | 4000K | 5000K  | 2700K       | 3000K | 3500K | 4000K | 5000K |
| APEN4-221L-5CCT | Lumens       | 978        | 1026  | 1074  | 1119  | 1200   | 1305       | 1367  | 1438  | 1509  | 1615   | 1527        | 1597  | 1679  | 1766  | 1907  |
|                 | Watt         | 11.42      | 11.41 | 11.37 | 11.5  | 11.56  | 15.69      | 15.68 | 15.62 | 15.84 | 15.98  | 18.82       | 18.74 | 18.65 | 18.99 | 19.18 |
|                 | Efficacy     | 85.64      | 89.92 | 94.46 | 97.30 | 103.81 | 83.17      | 87.18 | 92.06 | 95.27 | 101.06 | 81.14       | 85.22 | 90.03 | 93.00 | 99.43 |

## ELECTRICAL DATA

| Series          | CCT   | Input Amps (A) |      |      |            |      |      |             |      |      |
|-----------------|-------|----------------|------|------|------------|------|------|-------------|------|------|
|                 |       | Low Lumens     |      |      | Mid Lumens |      |      | High Lumens |      |      |
|                 |       | 120V           | 240V | 277V | 120V       | 240V | 277V | 120V        | 240V | 277V |
| APEN4-221L-5CCT | 2700K | 0.10           | 0.05 | 0.04 | 0.13       | 0.07 | 0.06 | 0.16        | 0.08 | 0.07 |
|                 | 3000K | 0.10           | 0.05 | 0.04 | 0.13       | 0.07 | 0.06 | 0.16        | 0.08 | 0.07 |
|                 | 3500K | 0.09           | 0.05 | 0.04 | 0.13       | 0.07 | 0.06 | 0.16        | 0.08 | 0.07 |
|                 | 4000K | 0.10           | 0.05 | 0.04 | 0.13       | 0.07 | 0.06 | 0.16        | 0.08 | 0.07 |
|                 | 5000K | 0.10           | 0.05 | 0.04 | 0.13       | 0.07 | 0.06 | 0.16        | 0.08 | 0.07 |

## PHOTOMETRICS

### APEN4-221L-5CCT (Optional 25° reflector)

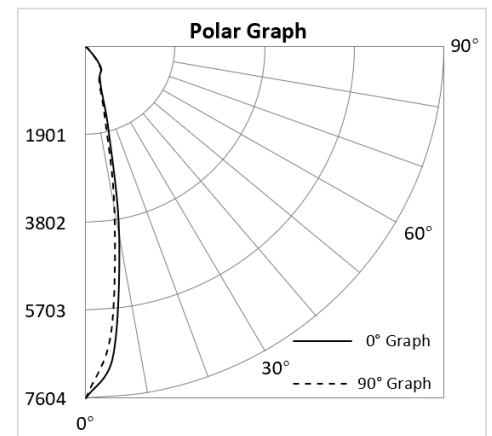
#### Luminaire Data

|                                |  |
|--------------------------------|--|
| Description                    | Architectural Pendant<br>Lumen/Kelvin Selectable |
| Total Lumens                   | 1,819  |
| Input Wattage                  | 19   |
| Efficacy (lm/W)                | 96   |
| Spacing Criterion<br>(0-180°)  | 0.38   |
| Spacing Criterion<br>(90-270°) | 0.34   |

Photometrics calculated at 4000k, and highest lumen setting

#### Zonal Lumen Summary

| Zone    | Lumens | %Fixt  |
|---------|--------|--------|
| 0-20°   | 1,033  | 56.8%  |
| 0-30°   | 1,363  | 75.0%  |
| 0-40°   | 1,698  | 93.4%  |
| 20-50°  | 752    | 41.3%  |
| 40-70°  | 103    | 5.7%   |
| 0-60°   | 1,799  | 98.9%  |
| 0-80°   | 1,803  | 99.1%  |
| 0-90°   | 1,803  | 99.1%  |
| 90-180° | 16     | 0.9%   |
| 0-180°  | 1,819  | 100.0% |



## APEN4-221L-5CCT (Optional 40° reflector)

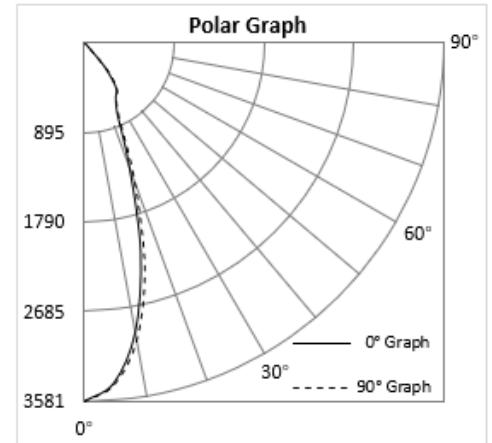
### Luminaire Data

|                                |  |
|--------------------------------|--|
| Description                    | Architectural Pendant<br>Lumen/Kelvin Selectable |
| Total Lumens                   | 1,766  |
| Input Wattage                  | 19   |
| Efficacy (lm/W)                | 93   |
| Spacing Criterion<br>(0-180°)  | 0.58   |
| Spacing Criterion<br>(90-270°) | 0.6  |

Photometrics calculated at 4000k, and highest lumen setting

### Zonal Lumen Summary

| Zone    | Lumens | %Fixt  |
|---------|--------|--------|
| 0-20°   | 913    | 51.7%  |
| 0-30°   | 1,309  | 74.1%  |
| 0-40°   | 1,648  | 93.3%  |
| 20-50°  | 830    | 47.0%  |
| 40-70°  | 115    | 6.5%   |
| 0-60°   | 1,758  | 99.5%  |
| 0-80°   | 1,765  | 100.0% |
| 0-90°   | 1,766  | 100.0% |
| 90-180° | 0      | 0.0%   |
| 0-180°  | 1,766  | 100.0% |



## APEN4-221L-5CCT (Optional 60° reflector)

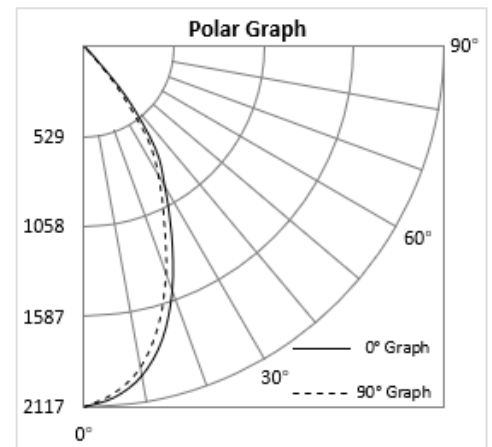
### Luminaire Data

|                                |  |
|--------------------------------|--|
| Description                    | Architectural Pendant<br>Lumen/Kelvin Selectable |
| Total Lumens                   | 1,798  |
| Input Wattage                  | 19   |
| Efficacy (lm/W)                | 95   |
| Spacing Criterion<br>(0-180°)  | 0.86   |
| Spacing Criterion<br>(90-270°) | 0.8  |

Photometrics calculated at 4000k, and highest lumen setting

### Zonal Lumen Summary

| Zone    | Lumens | %Fixt  |
|---------|--------|--------|
| 0-20°   | 684    | 38.1%  |
| 0-30°   | 1,236  | 68.7%  |
| 0-40°   | 1,665  | 92.6%  |
| 20-50°  | 1,074  | 59.7%  |
| 40-70°  | 113    | 6.3%   |
| 0-60°   | 1,771  | 98.5%  |
| 0-80°   | 1,782  | 99.1%  |
| 0-90°   | 1,783  | 99.1%  |
| 90-180° | 15     | 0.9%   |
| 0-180°  | 1,798  | 100.0% |



## Flat Panel Kelvin Field Selectable

### STANDARDS



### HOUSING

- Premium powder-coat, aluminum, white housing.

### ELECTRICAL

- Operating temperature (ambient): -20°C to 45°C (-4°F to 113°F).
- Universal 120V AC voltage (60Hz) is standard.
- FPR3-4L-KFS = 6W
- FPR4-6L-KFS = 9W
- FPR6-10L-KFS = 14W
- FPR8-14L-KFS = 17W
- Triac dimming.
- Input transient surge protection = 0.5kV.
- Type IC.
- Power factor > 0.90.
- Total Harmonic distortion < 20%.

### OPTICAL SYSTEM

- Field selectable 2700K (soft white), 3000K (warm white), 3500K (warm/neutral white), 4000K (neutral white) and 5000K (cool white) color temperatures\*.
- Provide a range delivers 400 to 1700 nominal lumens\*.
- Long-life LEDs provide 139,000 hours of operation with at least 70% of initial lumen output (L70)\*\*.
- Beam angle 110°.
- Color rendering index > 90.

\* Default 4000K color temperature and highest lumen output.  
\*\*FPR4 and FPR6 L70=71,000 hours. L70 hours are IES TM-21-11 calculated hours.



### MOUNTING

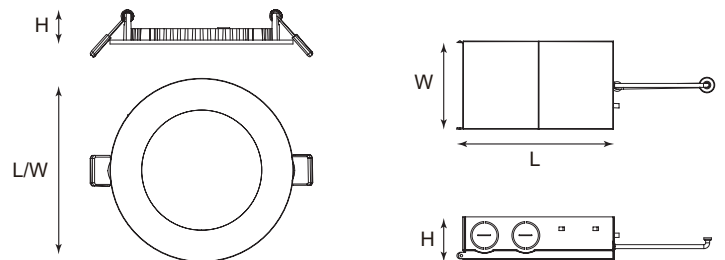
- Recessed ceiling, new construction or retrofit.
- No recessed housing required for installation.
- Access above ceiling required.
- Covered ceiling mount only.

### CODE COMPLIANCE

- cETLus listed for wet locations. Not exceeding 45°C.
- Energy Star certified.
- Complies with FCC part 15, class B.

### WARRANTY

- 5 year warranty on all electronics and housing.



| Model #      | L (in) | W (in) | H (in) | Weight (lbs) | Junction Box Size (LxWxH inch) |
|--------------|--------|--------|--------|--------------|--------------------------------|
| FPR3-4L-KFS  | 3.62   | 3.62   | 0.85   | 0.44         | 3.94 x 2.68 x 1.4              |
| FPR4-6L-KFS  | 4.74   | 4.74   | 0.79   | 0.63         | 4.73 x 2.77 x 1.34             |
| FPR6-10L-KFS | 6.73   | 6.73   | 0.79   | 0.88         | 4.73 x 2.77 x 1.34             |
| FPR8-14L-KFS | 8.82   | 8.82   | 0.93   | 1.10         | 4.73 x 2.77 x 1.34             |

### ORDERING INFORMATION

Example: FPR3-4L-KFS

| Series | Nominal Lumen Output |           | Kelvin Selectable                     |
|--------|----------------------|-----------|---------------------------------------|
| FPR3   | 4L                   | 400 lm    | KFS 2700 / 3000 / 3500 / 4000 / 5000K |
| FPR4   | 6L                   | 600 lm    |                                       |
| FPR6   | 10L                  | 1000 lm   |                                       |
| FPR8   | 14L                  | 1,4000 lm |                                       |

\* Default 4000K color temperature and highest lumen output.  
\*\*FPR4 and FPR6 L70=71,000 hours. L70 hours are IES TM-21-11 calculated hours.

## ACCESSORIES (ORDER SEPARATELY)

### Mounting Option

MP-UD346-NC\* = Mounting plate for 3", 4", and 6" canless recessed downlights.

MP-UD46810-NC\*\* = Mounting plate for 4", 6", 8" and 10" canless recessed downlights.

\* Not compatible with FPR8-14L-KFS.

\*\* Not compatible with FPR3-4L-KFS.

## LUMEN TABLES

| Series      | Measurements | Lumens |       |       |       |       |
|-------------|--------------|--------|-------|-------|-------|-------|
|             |              | 2700K  | 3000K | 3500K | 4000K | 5000K |
| FPR3-4L-KFS | Lumens       | 469    | 484   | 489   | 495   | 495   |
|             | Watts        | 5.85   | 5.77  | 5.74  | 5.89  | 5.91  |
|             | Efficacy     | 80.17  | 83.88 | 85.19 | 84.04 | 83.76 |

| Series      | Measurements | Lumens |       |       |       |       |
|-------------|--------------|--------|-------|-------|-------|-------|
|             |              | 2700K  | 3000K | 3500K | 4000K | 5000K |
| FPR4-6L-KFS | Lumens       | 698    | 729   | 746   | 58    | 763   |
|             | Watts        | 8.72   | 8.63  | 8.42  | 8.53  | 8.75  |
|             | Efficacy     | 80.05  | 84.47 | 88.60 | 88.86 | 87.20 |

| Series       | Measurements | Lumens |       |       |       |       |
|--------------|--------------|--------|-------|-------|-------|-------|
|              |              | 2700K  | 3000K | 3500K | 4000K | 5000K |
| FPR6-10L-KFS | Lumens       | 1180   | 1267  | 1316  | 1330  | 1278  |
|              | Watts        | 14.32  | 14.03 | 13.77 | 14.06 | 14.53 |
|              | Efficacy     | 82.40  | 90.31 | 95.57 | 94.59 | 87.96 |

| Series       | Measurements | Lumens |       |        |        |       |
|--------------|--------------|--------|-------|--------|--------|-------|
|              |              | 2700K  | 3000K | 3500K  | 4000K  | 5000K |
| FPR8-14L-KFS | Lumens       | 1440   | 1584  | 1678   | 1702   | 1664  |
|              | Watts        | 17.49  | 17.11 | 16.71  | 16.86  | 17.46 |
|              | Efficacy     | 82.33  | 92.58 | 100.42 | 100.95 | 95.30 |

## Recessed Integrated Module with Floating Gimbal Kelvin Field Selectable

### STANDARDS



### HOUSING

- Premium powder-coat, aluminum, white housing.

### ELECTRICAL

- Operating temperature (ambient): -20°C to 45°C (-4°F to 113°F).
- 120V AC voltage (60Hz) is standard.
- IFG2-4L = 5W, IFG3-5L = 6W, IFG4-7L = 9W, IFG6-12L = 12W
- Adjustable 355° rotation and 90° tilt.
- Triac dimming.
- Input transient surge protection = 1kV.
- Power factor > 0.90.
- Total Harmonic distortion < 20%.

### OPTICAL SYSTEM

- PMMA diffuser.
- Field selectable 2700k(soft white), 3000k(warm white), 3500k(warm/neutral white), 4000k (neutral white) and 5000k (cool white) color temperatures\*.
- IFG2-4L provide a range delivers 377 to 422 nominal lumens\*.
- IFG3-5L provide a range delivers 478 to 552 nominal lumens\*.
- IFG4-7L provide a range delivers 621 to 746 nominal lumens\*.
- IFG6-12L provide a range delivers 858 to 1067 nominal lumens\*.
- IFG2-4L & IFG3-5L have long-life LEDs provide 134,000 hours of operation with at least 70% of initial lumen output (L70), and 41,000 hours with at least 90% of initial lumen output (L90)\*\*.
- IFG4-7L have long-life LEDs provide 120,000 hours of operation with at least 70% of initial lumen output (L70), and 36,000 hours with at least 90% of initial lumen output (L90)\*\*.
- IFG6-12L have long-life LEDs provide 191,000 hours of operation with at least 70% of initial lumen output (L70), and 58,000 hours with at least 90% of initial lumen output (L90)\*\*.
- Beam angle 120°.
- Color rendering index > 90.

\* Factory Default kelvin temperature 4000k

\*\*L70 and L90 hours are IES TM-21-11 calculated hours.



### MOUNTING

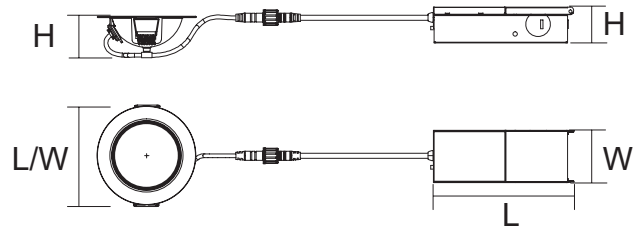
- No existing recessed housing or junction box required.
- Suitable for most new constructions.
- Install J-box in ceiling beam, and insert light right into drywall opening or ceiling panel opening.
- Type IC

### CODE COMPLIANCE

- cETLus listed for wet locations. Not exceeding 45°C(113°F).
- Energy Star certified.
- Complies with FCC part 15, class B.
- Complies with Title 24.

### WARRANTY

- 5 year warranty on all electronics and housing.



| Model #       | L (in) | W (in) | H (in) | Weight (lbs) | Junction Box Size (LxWxH inch) |
|---------------|--------|--------|--------|--------------|--------------------------------|
| IFG2-4L-5CCT  | 3.50   | 3.50   | 1.46   | 0.55         | 4.77x 1.84 x 1.26              |
| IFG3-5L-5CCT  | 3.94   | 3.94   | 1.15   | 0.55         | 4.15 x 2.66 x 1.36             |
| IFG4-7L-5CCT  | 4.80   | 4.80   | 1.47   | 0.66         | 4.15 x 2.66 x 1.36             |
| IFG6-12L-5CCT | 6.89   | 6.89   | 1.77   | 0.99         | 4.15 x 2.66 x 1.36             |

### ORDERING INFORMATION

Example: IFG2-4L-5CCT

| Series | Nominal Lumen Output |        | Kelvin Selectable |                                |
|--------|----------------------|--------|-------------------|--------------------------------|
| IFG2   | 4L                   | 400lm  | 5CCT              | 2700 / 3000/ 3500/ 4000/ 5000K |
| IFG3   | 5L                   | 500lm  |                   |                                |
| IFG4   | 7L                   | 700lm  |                   |                                |
| IFG6   | 12L                  | 1200lm |                   |                                |

## ACCESSORIES (ORDER SEPARATELY)

### Mounting Option

MP-UD346-NC\* = Mounting plate for 3", 4" and 6" canless recessed downlights.

\* Not compatible with IFG2-4L-5CCT.

## LUMEN TABLES

| Series       | Measurements | Lumens |       |       |       |       |
|--------------|--------------|--------|-------|-------|-------|-------|
|              |              | 2700K  | 3000K | 3500K | 4000K | 5000K |
| IFG2-4L-5CCT | Lumens       | 372    | 394   | 416   | 422   | 420   |
|              | Watts        | 4.79   | 4.73  | 4.64  | 4.68  | 4.85  |
|              | Efficacy     | 77.66  | 83.30 | 89.66 | 90.17 | 86.60 |

| Series       | Measurements | Lumens |       |       |       |       |
|--------------|--------------|--------|-------|-------|-------|-------|
|              |              | 2700K  | 3000K | 3500K | 4000K | 5000K |
| IFG3-5L-5CCT | Lumens       | 478    | 511   | 538   | 549   | 552   |
|              | Watts        | 5.91   | 5.81  | 5.68  | 5.76  | 5.98  |
|              | Efficacy     | 80.88  | 87.95 | 94.72 | 95.31 | 92.31 |

| Series       | Measurements | Lumens |       |       |       |       |
|--------------|--------------|--------|-------|-------|-------|-------|
|              |              | 2700K  | 3000K | 3500K | 4000K | 5000K |
| IFG4-7L-5CCT | Lumens       | 620    | 662   | 701   | 738   | 745   |
|              | Watts        | 8.44   | 8.35  | 8.24  | 8.27  | 8.57  |
|              | Efficacy     | 73.46  | 79.28 | 85.07 | 89.24 | 86.93 |

| Series        | Measurements | Lumens |       |       |       |       |
|---------------|--------------|--------|-------|-------|-------|-------|
|               |              | 2700K  | 3000K | 3500K | 4000K | 5000K |
| IFG6-12L-5CCT | Lumens       | 858    | 925   | 1,001 | 1,049 | 1,067 |
|               | Watts        | 11.31  | 11.2  | 10.98 | 11.09 | 11.5  |
|               | Efficacy     | 75.86  | 82.59 | 91.17 | 94.59 | 92.78 |

## ELECTRICAL DATA

| Series       | CCT   | Input Amps (A) |
|--------------|-------|----------------|
|              |       | Lumens         |
| IFG2-4L-5CCT |       | 120V           |
|              | 2700K | 0.04           |
|              | 3000K | 0.04           |
|              | 3500K | 0.04           |
|              | 4000K | 0.04           |
|              | 5000K | 0.04           |

| Series       | CCT   | Input Amps (A) |
|--------------|-------|----------------|
|              |       | Lumens         |
| IFG3-5L-5CCT |       | 120V           |
|              | 2700K | 0.05           |
|              | 3000K | 0.05           |
|              | 3500K | 0.05           |
|              | 4000K | 0.05           |
|              | 5000K | 0.05           |

| Series       | CCT   | Input Amps (A) |
|--------------|-------|----------------|
|              |       | Lumens         |
| IFG4-7L-5CCT |       | 120V           |
|              | 2700K | 0.07           |
|              | 3000K | 0.07           |
|              | 3500K | 0.07           |
|              | 4000K | 0.07           |
|              | 5000K | 0.07           |

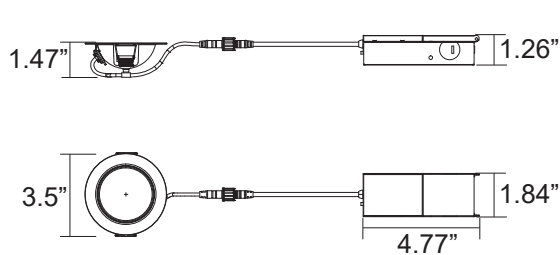
| Series        | CCT   | Input Amps (A) |
|---------------|-------|----------------|
|               |       | Lumens         |
| IFG6-12L-5CCT |       | 120V           |
|               | 2700K | 0.09           |
|               | 3000K | 0.09           |
|               | 3500K | 0.09           |
|               | 4000K | 0.09           |
|               | 5000K | 0.10           |

## COMPATIBLE DIMMERS AND CONTROLS

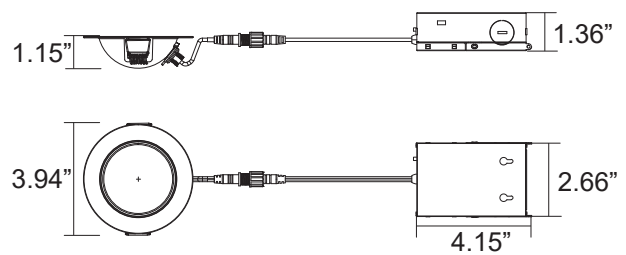
| Manufacturer | Model Number   |              |                 |
|--------------|----------------|--------------|-----------------|
| Lutron       | TG-600PR-WH    | SLV-600P-AL  | DVCL-153P       |
|              | S-600PR-WH     | DV-600PR-WH  | MSCL-OP153M     |
|              | CTCL-153PDH-WH | SCL-153PH-WH | PD-6WCL         |
|              | TGCL-153PH-LA  | GT-600P      | MACL-153M//MA-R |
| Leviton      | 6672           | 6674         | IPL06           |
|              | RNL06          | DSL06        | -               |

## DIMENSIONAL DRAWINGS

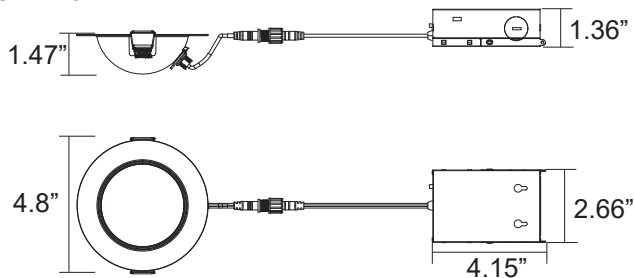
**IFG2-4L-5CCT**



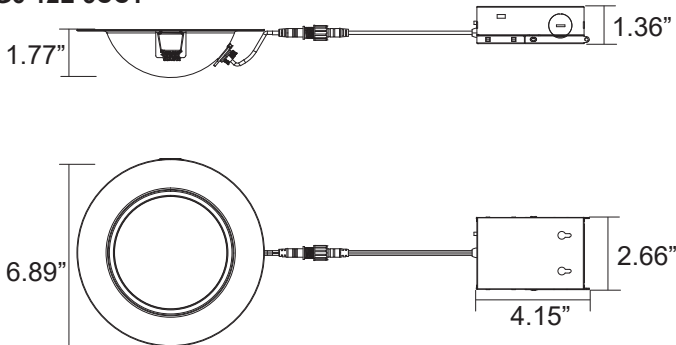
**IFG3-5L-5CCT**



**IFG4-7L-5CCT**



**IFG6-12L-5CCT**



## Recessed Integrated Module Kelvin Field Selectable



### STANDARDS



### HOUSING

- Premium powder-coat, aluminum, white housing.

### ELECTRICAL

- Operating temperature (ambient): -20°C to 45°C (-4°F to 113°F).
- Universal 120V AC voltage (60Hz) is standard.
- Triac dimming.
- Input transient surge protection = 1kV.
- Power factor > 0.90.
- Total Harmonic distortion < 20%.

### OPTICAL SYSTEM

- Polycarbonate diffuser.
- Field selectable 2700k(soft white), 3000k(warm white), 3500k(warm/neutral white), 4000k (neutral white) and 5000k (cool white) color temperatures\*.
- Tri-Lumen selectable to provide a range delivers 308 to 663 nominal lumens\*.
- Long-life LEDs provide 134,000 hours of operation with at least 70% of initial lumen output (L70), and 41,000 hours with at least 90% of initial lumen output (L90)\*\*.
- LED color maintenance < -0.0045 chromaticity shift ( $\Delta u'v'$ ) over the initial 6,000 hours of operation.
- Beam angle 100°.
- Color rendering index > 90.

\* Factory Default kelvin temperature 4000k and highest lumen output

\*\*L70 and L90 hours are IES TM-21-11 calculated hours.

### MOUNTING

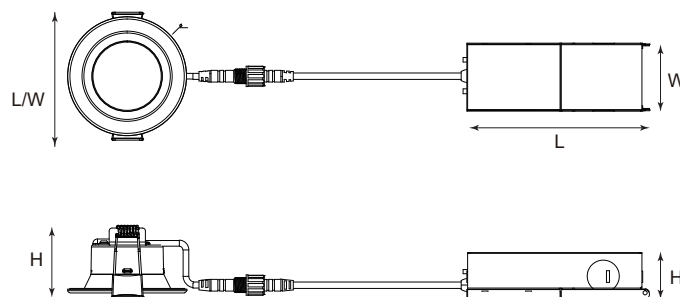
- No existing recessed housing or junction box required.
- Suitable for most new constructions.
- Type IC

### CODE COMPLIANCE

- cETLus listed for wet locations. Not exceeding 45°C(113°F).
- Energy Star certified.
- Complies with FCC part 15, class B.
- Complies with Title 24.

### WARRANTY

- 5 year warranty on all electronics and housing.



| Model #            | L (in) | W (in) | H (in) | Weight (lbs) | Junction Box Size (LxWxH inch) |
|--------------------|--------|--------|--------|--------------|--------------------------------|
| IMODCRS2-543L-5CCT | 3.23   | 3.23   | 1.75   | 0.55         | 4.92 x 1.91 x 1.3              |

### ORDERING INFORMATION

Example: IMODCRS2-543L-5CCT

| Series   | Nominal Lumen Output |                    | Kelvin Selectable                   |
|----------|----------------------|--------------------|-------------------------------------|
| IMODCRS2 | 543L                 | 500 / 400 / 300 lm | 5CCT 2700 / 3000/ 3500/ 4000/ 5000K |

## LUMEN TABLES

| Series             | Measurements | Low Lumens |       |       |       |       | Mid Lumens |       |       |       |       | High Lumens |       |       |       |       |
|--------------------|--------------|------------|-------|-------|-------|-------|------------|-------|-------|-------|-------|-------------|-------|-------|-------|-------|
|                    |              | 2700K      | 3000K | 3500K | 4000K | 5000K | 2700K      | 3000K | 3500K | 4000K | 5000K | 2700K       | 3000K | 3500K | 4000K | 5000K |
| IMODCRS2-543L-5CCT | Lumens       | 306        | 317   | 326   | 331   | 334   | 455        | 477   | 494   | 502   | 499   | 591         | 625   | 652   | 664   | 644   |
|                    | Watts        | 3.93       | 3.89  | 3.85  | 3.9   | 3.96  | 5.92       | 5.85  | 5.75  | 5.86  | 5.99  | 7.88        | 7.76  | 7.6   | 7.78  | 7.98  |
|                    | Efficacy     | 77.86      | 81.49 | 84.68 | 84.87 | 84.34 | 76.86      | 81.54 | 85.91 | 85.67 | 83.31 | 75.05       | 80.59 | 85.72 | 85.30 | 80.73 |

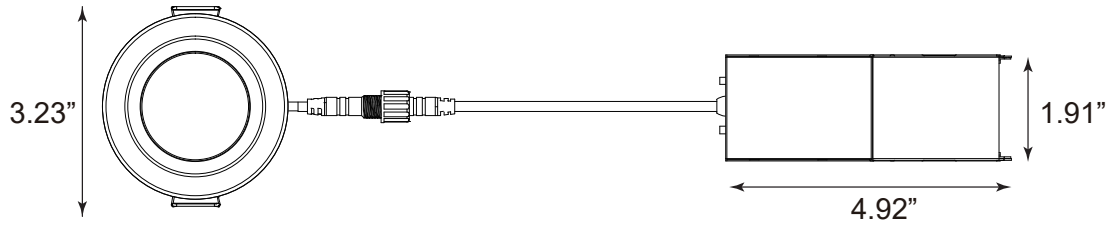
## ELECTRICAL DATA

| Series             | CCT   | Input Amps (A) |  | Input Amps (A) |  | Input Amps (A) |  |
|--------------------|-------|----------------|--|----------------|--|----------------|--|
|                    |       | Low Lumens     |  | Mid Lumens     |  | High Lumens    |  |
|                    |       | 120V           |  | 120V           |  | 120V           |  |
| IMODCRS2-543L-5CCT | 2700K | 0.03           |  | 0.05           |  | 0.07           |  |
|                    | 3000K | 0.03           |  | 0.05           |  | 0.06           |  |
|                    | 3500K | 0.03           |  | 0.05           |  | 0.06           |  |
|                    | 4000K | 0.03           |  | 0.05           |  | 0.06           |  |
|                    | 5000K | 0.03           |  | 0.05           |  | 0.07           |  |

## COMPATIBLE DIMMERS AND CONTROLS

| Manufacturer | Model Number |               |             |
|--------------|--------------|---------------|-------------|
| Lutron       | CTCL-153P    | TGCL-153PH-LA | SLV-600P-AL |
|              | DVCL-153P    | MSCL-OP153M   | PD-6WCL     |
|              | S2-LFSQH-WH  | CT-103PR-WH   | MACL-153MA  |
|              | DVWCL-153PH  | RCL-153RNL    | DVRF-6L     |
|              | CTCL-150H    | -             | -           |
| Leviton      | 6672         | 6674          | DSL06       |
|              | RNL06        | IPL06         | -           |

## DIMENSIONAL DRAWINGS



## 4" MODULE - KFS

### STANDARD



### FEATURES

- Field selectable 2700k (soft white), 3000k (warm white), 3500k (warm/neutral white), 4000k (neutral white), and 5000k (cool white) color temperatures.\*
- Long-life LEDs provide at least 70% of initial lumen output ( $L_{70}$ ) for 119,000 hours of operation.\*\*
- Color rendering index ( $R_a$ ) > 90.
- 700 nominal lumens.
- 10 nominal watts.
- 120 AC voltage (60Hz) is standard.
- Power factor > 0.90.
- Triac dimming.
- Aluminum housing.
- Easy installation in new construction or retrofit applications.
- Type IC.
- This device is not intended for use with emergency exits.

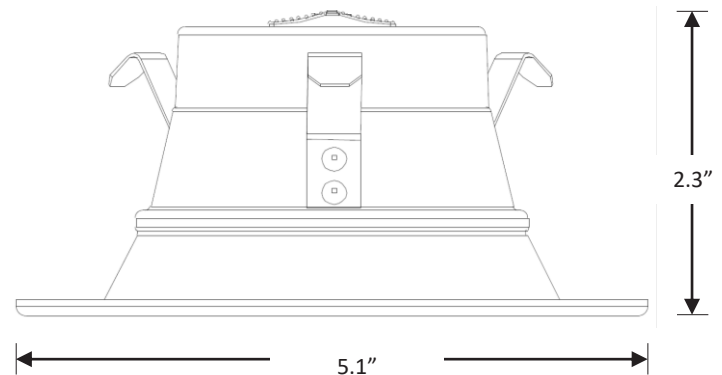
\* Contact factory for other color temperatures and lumen packages.  
 \*\*  $L_{70}$  hours are IES TM-21-11 calculated hours.



### WARRANTY & LISTINGS

- cETLus listed for damp locations.
- Energy Star certified.
- Compatible for new construction and retrofit applications.
- Complies with FCC Part 15, class B.
- Complies with EN61000-4-5 surge protection (0.5kV).
- 5-year warranty of all electronics and housing.

### DIMENSIONS



**Weight: 0.19 lbs.**

### ORDERING INFORMATION

Example: MODR4-7L-KFS

| Series       | Color Temperature |
|--------------|-------------------|
| MODR4-7L-KFS | Selectable CCT    |
|              | 2700k             |
|              | 3000k             |
|              | 3500k             |
|              | 4000k             |
|              | 5000k             |

## 6" MODULE - KFS

### STANDARD



### FEATURES

- Field selectable 2700k (soft white), 3000k (warm white), 3500k (warm/neutral white), 4000k (neutral white), and 5000k (cool white) color temperatures.\*
- Long-life LEDs provide at least 70% of initial lumen output ( $L_{70}$ ) for 119,000 hours of operation.\*\*
- Color rendering index ( $R_a$ ) > 90.
- 1,000 nominal lumens.
- 14 nominal watts.
- 120 AC voltage (60Hz) is standard.
- Power factor > 0.90.
- Triac dimming.
- Aluminum housing.
- Easy installation in new construction or retrofit applications.
- Type IC.
- This device is not intended for use with emergency exits.

\* Contact factory for other color temperatures and lumen packages.  
 \*\*  $L_{70}$  hours are IES TM-21-11 calculated hours.

### ORDERING INFORMATION

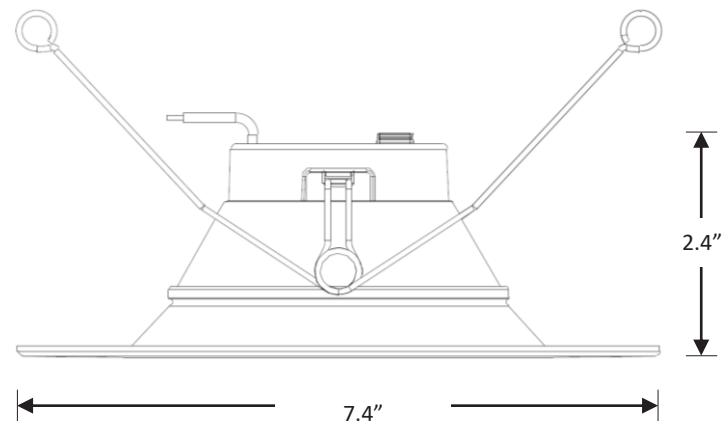
Example: MODR6-10L-KFS



### WARRANTY & LISTINGS

- cETLus listed for damp locations.
- Energy Star certified.
- Compatible for new construction and retrofit applications.
- Complies with FCC Part 15, class B.
- Complies with EN61000-4-5 surge protection (0.5kV).
- 5-year warranty of all electronics and housing.

### DIMENSIONS



Weight: 0.33 lbs.

| Series        | Color Temperature |
|---------------|-------------------|
| MODR6-10L-KFS | Selectable CCT    |
|               | 2700k             |
|               | 3000k             |
|               | 3500k             |
|               | 4000k             |
|               | 5000k             |

## 4" Architectural Round Downlight Lumen & Kelvin Select



### STANDARDS



### HOUSING

- Premium powder-coat, aluminum, white housing.

### ELECTRICAL

- Universal 120-277V AC voltage (50-60Hz) is standard.
- 0-10VDC dimming drivers are standard.
- 21.65" flexible metal conduit with additional 6" of conductor is standard.
- Input transient surge protection = 1kV.
- Type IC.
- Power factor > 0.90.
- Total Harmonic distortion < 20%.

### OPTICAL SYSTEM

- Polycarbonate diffuser.
- Field selectable 2700k(soft white), 3000k(warm white), 3500k(warm/neutral white), 4000k (neutral white) and 5000k (cool white) color temperatures\*.
- Tri-Lumen selectable delivers 600 to 1,100 nominal lumens\*.
- Long-life LEDs provide 149,000 hours of operation with at least 70% of initial lumen output (L70), and 44,000 hours with at least 90% of initial lumen output (L90)\*\*.
- LED color maintenance < -0.0114 chromaticity shift ( $\Delta u'v'$ ) over the initial 6,000 hours of operation.
- Beam angle 90°.
- Color rendering index > 90.

\* Factory Default kelvin temperature 4000k and highest lumen output  
 \*\*L70 & L90 hours are IES TM-21-11 calculated hours.

### MOUNTING

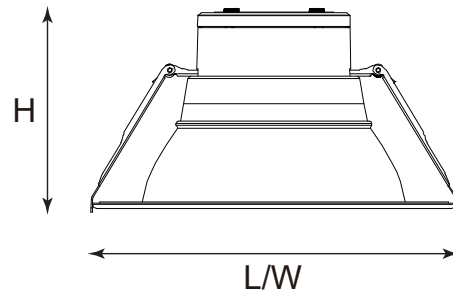
- Recessed in ceiling, new construction or retrofit.
- Access above ceiling required.
- Covered ceiling mount only.
- Compatible with 4.35" ceiling cut-outs and 4" mounting frames.

### CODE COMPLIANCE

- cETLus listed for wet locations.
- Energy Star certified.
- Complies with FCC part 15, class B.
- Complies with Title 24.

### WARRANTY

- 5 year warranty on all electronics and housing.



| Model #          | L (in) | W (in) | H (in) | Weight (lbs) | Cut Out (in) |
|------------------|--------|--------|--------|--------------|--------------|
| CDR4-1L-LKFS-WHT | 5.12   | 5.12   | 3.2    | 0.69         | 4.35         |
| CDR4-1L-LKFS-SW  | 5.12   | 5.12   | 3.2    | 0.66         | 4.35         |

### ORDERING INFORMATION

Example: CDR4-1L-LKFS-WHT

| Series | Nominal Lumen Output (Selectable) | Kelvin Selectable                   | Baffle Type                           |
|--------|-----------------------------------|-------------------------------------|---------------------------------------|
| CDR4   | 1L 1100/ 900/ 600lm               | LKFS 2700 / 3000/ 3500/ 4000/ 5000K | WHT Baffled Whit<br>SW Specular White |

## ACCESSORIES (ORDER SEPARATELY)

### Mounting Option

MP-UD46810-NC = Mounting plate for 4", 6", 8" and 10" canless recessed downlights.

### Trim Rings

CDR4-TR-BK = TRIM RING, 4", FOR USE EXCLUSIVELY WITH CDR4-1L-LKFS, BLACK, BAFFLE REFLECTOR

## LUMEN TABLES

| Series               | Mea-<br>sure-<br>ments | Low Lumens |       |        |        |        | Mid Lumens |       |       |        |        | High Lumens |       |       |        |       |
|----------------------|------------------------|------------|-------|--------|--------|--------|------------|-------|-------|--------|--------|-------------|-------|-------|--------|-------|
|                      |                        | 2700K      | 3000K | 3500K  | 4000K  | 5000K  | 2700K      | 3000K | 3500K | 4000K  | 5000K  | 2700K       | 3000K | 3500K | 4000K  | 5000K |
| CDR4-1L-<br>LKFS-WHT | Lumens                 | 542        | 560   | 580    | 593    | 609    | 793        | 823   | 856   | 877    | 892    | 1015        | 1058  | 1106  | 1135   | 1143  |
|                      | Watts                  | 5.83       | 5.78  | 5.73   | 5.74   | 5.83   | 8.78       | 8.69  | 8.57  | 8.58   | 8.72   | 11.60       | 11.50 | 11.30 | 11.30  | 11.60 |
|                      | Efficacy               | 93.03      | 96.82 | 101.26 | 103.38 | 104.54 | 90.28      | 94.73 | 99.83 | 102.17 | 102.26 | 87.53       | 91.96 | 97.90 | 100.44 | 98.50 |

| Series              | Mea-<br>sure-<br>ments | Low Lumens |       |        |        |        | Mid Lumens |       |        |        |        | High Lumens |       |       |        |        |
|---------------------|------------------------|------------|-------|--------|--------|--------|------------|-------|--------|--------|--------|-------------|-------|-------|--------|--------|
|                     |                        | 2700K      | 3000K | 3500K  | 4000K  | 5000K  | 2700K      | 3000K | 3500K  | 4000K  | 5000K  | 2700K       | 3000K | 3500K | 4000K  | 5000K  |
| CDR4-1L-<br>LKFS-SW | Lumens                 | 531        | 547   | 565    | 578    | 593    | 782        | 810   | 841    | 862    | 875    | 1013        | 1055  | 1103  | 1136   | 1155   |
|                     | Watts                  | 5.63       | 5.59  | 5.53   | 5.53   | 5.60   | 8.51       | 8.42  | 8.31   | 8.32   | 8.46   | 11.40       | 11.20 | 11.10 | 11.20  | 11.40  |
|                     | Efficacy               | 94.33      | 97.86 | 102.25 | 104.53 | 105.86 | 91.89      | 96.23 | 101.19 | 103.58 | 103.47 | 88.89       | 94.18 | 99.36 | 101.46 | 101.27 |

## ELECTRICAL DATA

| Series           | CCT   | Input Amps (A) |      |      |            |      |      |             |      |      |
|------------------|-------|----------------|------|------|------------|------|------|-------------|------|------|
|                  |       | Low Lumens     |      |      | Mid Lumens |      |      | High Lumens |      |      |
|                  |       | 120V           | 240V | 277V | 120V       | 240V | 277V | 120V        | 240V | 277V |
| CDR4-1L-LKFS-WHT | 2700K | 0.05           | 0.02 | 0.02 | 0.07       | 0.04 | 0.03 | 0.10        | 0.05 | 0.04 |
|                  | 3000K | 0.05           | 0.02 | 0.02 | 0.07       | 0.04 | 0.03 | 0.10        | 0.05 | 0.04 |
|                  | 3500K | 0.05           | 0.02 | 0.02 | 0.07       | 0.04 | 0.03 | 0.09        | 0.05 | 0.04 |
|                  | 4000K | 0.05           | 0.02 | 0.02 | 0.07       | 0.04 | 0.03 | 0.09        | 0.05 | 0.04 |
|                  | 5000K | 0.05           | 0.02 | 0.02 | 0.07       | 0.04 | 0.03 | 0.10        | 0.05 | 0.04 |

| Series          | CCT   | Input Amps (A) |      |      |            |      |      |             |      |      |
|-----------------|-------|----------------|------|------|------------|------|------|-------------|------|------|
|                 |       | Low Lumens     |      |      | Mid Lumens |      |      | High Lumens |      |      |
|                 |       | 120V           | 240V | 277V | 120V       | 240V | 277V | 120V        | 240V | 277V |
| CDR4-1L-LKFS-SW | 2700K | 0.05           | 0.02 | 0.02 | 0.07       | 0.04 | 0.03 | 0.10        | 0.05 | 0.04 |
|                 | 3000K | 0.05           | 0.02 | 0.02 | 0.07       | 0.04 | 0.03 | 0.10        | 0.05 | 0.04 |
|                 | 3500K | 0.05           | 0.02 | 0.02 | 0.07       | 0.03 | 0.03 | 0.09        | 0.05 | 0.04 |
|                 | 4000K | 0.05           | 0.02 | 0.02 | 0.07       | 0.03 | 0.03 | 0.09        | 0.05 | 0.04 |
|                 | 5000K | 0.05           | 0.02 | 0.02 | 0.07       | 0.04 | 0.03 | 0.10        | 0.05 | 0.04 |

## PHOTOMETRICS

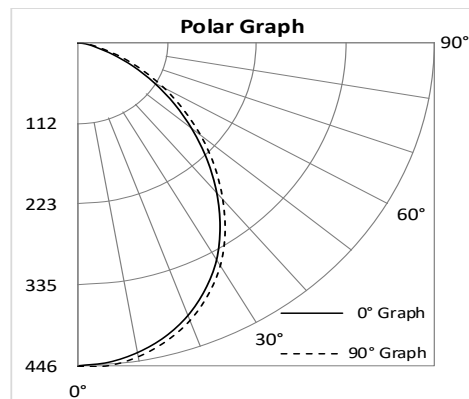
### CDR4-1L-LKFS-WHT

#### Luminaire Data

| Description  | Commercial Downlight<br>Lumen/Kelvin Selectable |
|--|---|
| Total Lumens   | 967   |
| Input Wattage  | 11  |
| Efficacy (lm/W)  | 85  |
| Spacing Criterion<br>(0-180°)                                | 1.18  |
| Spacing Criterion<br>(90-270°)                               | 1.2   |
| Photometrics calculated at<br>2700k - high lumens<br>setting |   |

#### Zonal Lumen Summary

| Zone    | Lumens | %Fixt  |
|---------|--------|--------|
| 0-20°   | 161    | 16.6%  |
| 0-30°   | 335    | 34.6%  |
| 0-40°   | 530    | 54.8%  |
| 20-50°  | 548    | 56.7%  |
| 40-70°  | 396    | 41.0%  |
| 0-60°   | 845    | 87.4%  |
| 0-80°   | 958    | 99.1%  |
| 0-90°   | 966    | 99.9%  |
| 90-180° | 1      | 0.1%   |
| 0-180°  | 967    | 100.0% |



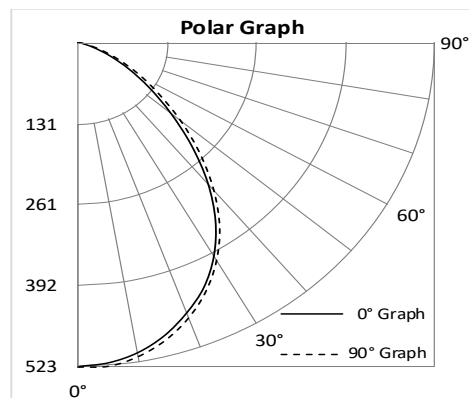
### CDR4-1L-LKFS-SW

#### Luminaire Data

| Description  | Commercial Downlight<br>Lumen/Kelvin Selectable |
|--|---|
| Total Lumens   | 988   |
| Input Wattage  | 11  |
| Efficacy (lm/W)  | 87  |
| Spacing Criterion<br>(0-180°)                                | 1.16  |
| Spacing Criterion<br>(90-270°)                               | 1.18  |
| Photometrics calculated at<br>2700k - high lumens<br>setting |   |

#### Zonal Lumen Summary

| Zone    | Lumens | %Fixt  |
|---------|--------|--------|
| 0-20°   | 187    | 18.9%  |
| 0-30°   | 387    | 39.2%  |
| 0-40°   | 607    | 61.4%  |
| 20-50°  | 607    | 61.4%  |
| 40-70°  | 368    | 37.2%  |
| 0-60°   | 916    | 92.7%  |
| 0-80°   | 987    | 99.9%  |
| 0-90°   | 987    | 99.9%  |
| 90-180° | 1      | 0.1%   |
| 0-180°  | 988    | 100.0% |



## COMPATIBLE DIMMERS AND CONTROLS

| Manufacturer | Model Number |              |            |            |
|--------------|--------------|--------------|------------|------------|
|              | Lutron       | RMJS-8T-DV-B | Diva DVSTV | MS-Z101-WH |
| Legrand      | RH4FBL3PW    | -            | -          | -          |

## 6" Architectural Round Downlight Lumen & Kelvin Selectable



### STANDARDS



### HOUSING

- Premium powder-coat, aluminum, white housing.

### ELECTRICAL

- Universal 120-277V AC voltage (50-60Hz) is standard.
- 0-10VDC dimming drivers are standard.
- 21.65" flexible metal conduit with additional 6" of conductor is standard.
- Input transient surge protection = 1kV.
- Type IC.
- Power factor > 0.90.
- Total Harmonic distortion < 20%.

### OPTICAL SYSTEM

- Polycarbonate diffuser.
- Field selectable 2700k(soft white), 3000k(warm white), 3500k(warm/neutral white), 4000k (neutral white) and 5000k (cool white) color temperatures\*.
- Tri-Lumen selectable delivers 1,000 to 2,000 nominal lumens\*.
- Long-life LEDs provide 149,000 hours of operation with at least 70% of initial lumen output (L70), and 44,000 hours with at least 90% of initial lumen output (L90)\*\*.
- LED color maintenance < -0.0039 chromaticity shift ( $\Delta u'v'$ ) over the initial 6,000 hours of operation.
- Beam angle 90° for CDR6-2L-LKFS-WHT.
- Beam angle 65° for CDR6-2L-LKFS-SW.
- Color rendering index > 90.

\* Factory Default kelvin temperature 4000k and highest lumen output  
 \*\*L70 & L90 hours are IES TM-21-11 calculated hours.

### MOUNTING

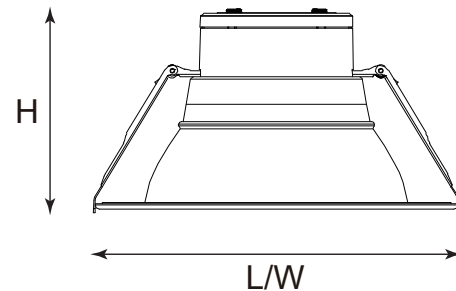
- Recessed in ceiling, new construction or retrofit.
- Access above ceiling required.
- Covered ceiling mount only.
- Compatible with 6.30" ceiling cut-outs and 6" mounting frames.

### CODE COMPLIANCE

- cETLus listed for wet location.
- Energy Star certified.
- Complies with FCC part 15, class B.
- Complies with Title 24.

### WARRANTY

- 5 year warranty on all electronics and housing.



| Model #          | L (in) | W (in) | H (in) | Weight (lbs) | Cut Out (in) |
|------------------|--------|--------|--------|--------------|--------------|
| CDR6-2L-LKFS-WHT | 8.43   | 8.43   | 4.16   | 1.37         | 6.30         |
| CDR6-2L-LKFS-SW  | 8.27   | 8.27   | 4.36   | 1.05         | 6.30         |

### ORDERING INFORMATION

Example: CDR6-2L-LKFS-SW

| Series | Nominal Lumen Output (Selectable) | Kelvin (Selectable)                 | Baffle Type                            |
|--------|-----------------------------------|-------------------------------------|--|
| CDR6   | 2L 2000/ 1500/ 1000lm             | LKFS 2700 / 3000/ 3500/ 4000/ 5000K | WHT Baffled White<br>SW Specular White |

## ACCESSORIES (ORDER SEPARATELY)

### Mounting Option

BL6CLEL-ND = Mounting Frame for use with CDR6-2L-LKFS-WHT and CDR6-2L-LKFS-SW.

MP-UD46810-NC = Mounting plate for 4", 6", 8" and 10" canless recessed downlights.

### Trim Rings

CDR6-TR-BK = TRIM RING, 6", FOR USE EXCLUSIVELY WITH CDR6-2L-LKFS, BLACK, BAFFLE REFLECTOR

## LUMEN TABLES

| Series           | Measurements | Low Lumens |        |        |        |        | Mid Lumens |       |        |        |        | High Lumens |       |        |        |        |
|------------------|--------------|------------|--------|--------|--------|--------|------------|-------|--------|--------|--------|-------------|-------|--------|--------|--------|
|                  |              | 2700K      | 3000K  | 3500K  | 4000K  | 5000K  | 2700K      | 3000K | 3500K  | 4000K  | 5000K  | 2700K       | 3000K | 3500K  | 4000K  | 5000K  |
| CDR6-2L-LKFS-WHT | Lumens       | 1182       | 1196   | 1250   | 1201   | 1212   | 1536       | 1605  | 1682   | 1743   | 1741   | 1848        | 1937  | 2084   | 2092   | 2097   |
|                  | Watts        | 11.95      | 11.80  | 11.60  | 11.62  | 11.88  | 16.54      | 16.29 | 15.98  | 16.01  | 16.43  | 20.66       | 20.38 | 19.92  | 19.95  | 20.54  |
|                  | Efficacy     | 98.94      | 101.36 | 107.73 | 103.33 | 102.01 | 92.89      | 98.53 | 105.26 | 108.88 | 105.96 | 89.43       | 95.04 | 104.60 | 104.86 | 102.07 |

| Series          | Measurements | Low Lumens |       |        |        |        | Mid Lumens |       |        |        |        | High Lumens |        |        |        |        |
|-----------------|--------------|------------|-------|--------|--------|--------|------------|-------|--------|--------|--------|-------------|--------|--------|--------|--------|
|                 |              | 2700K      | 3000K | 3500K  | 4000K  | 5000K  | 2700K      | 3000K | 3500K  | 4000K  | 5000K  | 2700K       | 3000K  | 3500K  | 4000K  | 5000K  |
| CDR6-2L-LKFS-SW | Lumens       | 962        | 991   | 1022   | 1039   | 1057   | 1325       | 1372  | 1420   | 1448   | 1460   | 1738        | 1811   | 1880   | 1921   | 1936   |
|                 | Watts        | 10.20      | 10.10 | 9.97   | 10.00  | 10.10  | 14.00      | 13.80 | 13.60  | 13.60  | 13.90  | 18.80       | 15.50  | 18.20  | 18.20  | 18.70  |
|                 | Efficacy     | 94.33      | 98.07 | 102.50 | 103.90 | 104.69 | 94.64      | 99.41 | 104.39 | 106.47 | 105.01 | 92.45       | 116.86 | 103.28 | 105.53 | 103.51 |

## ELECTRICAL DATA

| Series           | CCT   | Input Amps (A) |      |      |            |      |      |             |      |      |
|------------------|-------|----------------|------|------|------------|------|------|-------------|------|------|
|                  |       | Low Lumens     |      |      | Mid Lumens |      |      | High Lumens |      |      |
|                  |       | 120V           | 240V | 277V | 120V       | 240V | 277V | 120V        | 240V | 277V |
| CDR6-2L-LKFS-WHT | 2700K | 0.10           | 0.05 | 0.04 | 0.14       | 0.07 | 0.09 | 0.17        | 0.09 | 0.07 |
|                  | 3000K | 0.10           | 0.05 | 0.04 | 0.14       | 0.07 | 0.09 | 0.17        | 0.08 | 0.07 |
|                  | 3500K | 0.10           | 0.05 | 0.04 | 0.13       | 0.07 | 0.09 | 0.17        | 0.08 | 0.07 |
|                  | 4000K | 0.10           | 0.05 | 0.04 | 0.13       | 0.07 | 0.09 | 0.17        | 0.08 | 0.07 |
|                  | 5000K | 0.10           | 0.05 | 0.04 | 0.14       | 0.07 | 0.09 | 0.17        | 0.09 | 0.07 |

| Series          | CCT   | Input Amps (A) |      |      |            |      |      |             |      |      |
|-----------------|-------|----------------|------|------|------------|------|------|-------------|------|------|
|                 |       | Low Lumens     |      |      | Mid Lumens |      |      | High Lumens |      |      |
|                 |       | 120V           | 240V | 277V | 120V       | 240V | 277V | 120V        | 240V | 277V |
| CDR6-2L-LKFS-SW | 2700K | 0.09           | 0.04 | 0.04 | 0.12       | 0.06 | 0.05 | 0.16        | 0.08 | 0.07 |
|                 | 3000K | 0.08           | 0.04 | 0.04 | 0.12       | 0.06 | 0.05 | 0.13        | 0.08 | 0.06 |
|                 | 3500K | 0.08           | 0.04 | 0.04 | 0.11       | 0.06 | 0.05 | 0.15        | 0.08 | 0.07 |
|                 | 4000K | 0.08           | 0.04 | 0.04 | 0.11       | 0.06 | 0.05 | 0.15        | 0.08 | 0.07 |
|                 | 5000K | 0.08           | 0.04 | 0.04 | 0.12       | 0.06 | 0.05 | 0.16        | 0.08 | 0.07 |

## PHOTOMETRICS

### CDR6-2L-LKFS-WHT

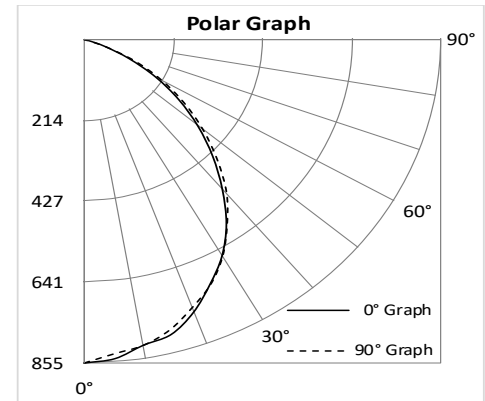
#### Luminaire Data

| Description                    | Commercial Downlight<br>Lumen/Kelvin Selectable |
|--------------------------------|---|
| Total Lumens                   | 1,790   |
| Input Wattage                  | 21  |
| Efficacy (lm/W)                | 85  |
| Spacing Criterion<br>(0-180°)  | 1.16  |
| Spacing Criterion<br>(90-270°) | 1.16  |

Photometrics calculated at  
2700k - high lumens  
setting

#### Zonal Lumen Summary

| Zone    | Lumens | %Fixt  |
|---------|--------|--------|
| 0-20°   | 307    | 17.1%  |
| 0-30°   | 639    | 35.7%  |
| 0-40°   | 1,015  | 56.7%  |
| 20-50°  | 1,059  | 59.2%  |
| 40-70°  | 754    | 42.1%  |
| 0-60°   | 1,632  | 91.2%  |
| 0-80°   | 1,790  | 100.0% |
| 0-90°   | 1,790  | 100.0% |
| 90-180° | 0      | 0.0%   |
| 0-180°  | 1,790  | 100.0% |



### CDR6-2L-LKFS-SW

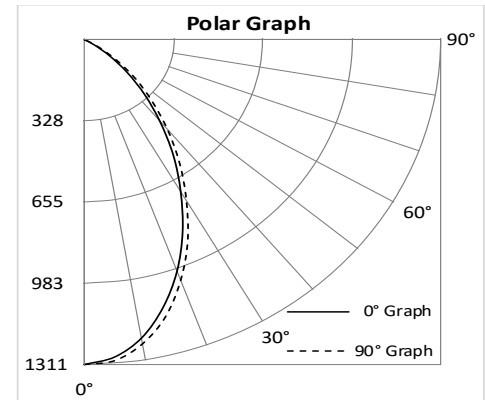
#### Luminaire Data

| Description                    | Commercial Downlight<br>Lumen/Kelvin Selectable |
|--------------------------------|---|
| Total Lumens                   | 1,595   |
| Input Wattage                  | 18  |
| Efficacy (lm/W)                | 87  |
| Spacing Criterion<br>(0-180°)  | 0.92  |
| Spacing Criterion<br>(90-270°) | 0.96  |

Photometrics calculated at  
2700k - high lumens  
setting

#### Zonal Lumen Summary

| Zone    | Lumens | %Fixt  |
|---------|--------|--------|
| 0-20°   | 437    | 27.4%  |
| 0-30°   | 835    | 52.4%  |
| 0-40°   | 1,199  | 75.2%  |
| 20-50°  | 1,017  | 63.8%  |
| 40-70°  | 392    | 24.6%  |
| 0-60°   | 1,572  | 98.6%  |
| 0-80°   | 1,593  | 99.9%  |
| 0-90°   | 1,593  | 99.9%  |
| 90-180° | 2      | 0.1%   |
| 0-180°  | 1,595  | 100.0% |



## COMPATIBLE DIMMERS AND CONTROLS

| Manufacturer | Model Number |            |            |          |
|--------------|--------------|------------|------------|----------|
| Lutron       | RMJS-8T-DV-B | Diva DVSTV | MS-Z101-WH | DVSTV-WH |
| Legrand      | RH4FBL3PW    | -          | -          | -        |

## 8" Architectural Round Downlight Lumen & Kelvin Selectable



### STANDARDS



### HOUSING

- Premium powder-coat, aluminum, white housing.

### ELECTRICAL

- Universal 120-277V AC voltage (50-60Hz) is standard.
- 0-10VDC dimming drivers are standard.
- 21.65" flexible metal conduit with additional 6" of conductor is standard.
- Input transient surge protection = 1kV.
- Type IC.
- Power factor > 0.90.
- Total Harmonic distortion < 20%.

### OPTICAL SYSTEM

- Polycarbonate diffuser.
- Field selectable 2700k(soft white), 3000k(warm white), 3500k(warm/neutral white), 4000k (neutral white) and 5000k (cool white) color temperatures\*.
- Tri-Lumen selectable delivers 3,000 to 5,000 nominal lumens\*.
- Long-life LEDs provide 149,000 hours of operation with at least 70% of initial lumen output (L70), and 44,000 hours with at least 90% of initial lumen output (L90)\*\*.
- LED color maintenance < -0.0114 chromaticity shift ( $\Delta u'v'$ ) over the initial 6,000 hours of operation.
- Beam angle 100° for CDR8-5L-LKFS-WHT.
- Beam angle 70° for CDR8-5L-LKFS-SW.
- Color rendering index > 90.

\* Factory Default kelvin temperature 4000k and highest lumen output

\*\*L70 & L90 hours are IES TM-21-11 calculated hours.

### MOUNTING

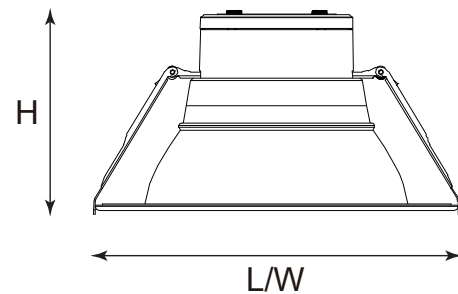
- Recessed in ceiling, new construction or retrofit.
- Access above ceiling required.
- Covered ceiling mount only.
- Compatible with 8.08" ceiling cut-outs and 8" mounting frames.

### CODE COMPLIANCE

- cETLus listed for wet locations.
- Energy Star certified.
- Complies with FCC part 15, class B.
- Complies with Title 24.

### WARRANTY

- 5 year warranty on all electronics and housing.



| Model #          | L (in) | W (in) | H (in) | Weight (lbs) | Cut Out (in) |
|------------------|--------|--------|--------|--------------|--------------|
| CDR8-5L-LKFS-WHT | 10.04  | 10.04  | 5.41   | 1.46         | 8.08         |
| CDR8-5L-LKFS-SW  | 10.04  | 10.04  | 5.41   | 1.77         | 8.08         |

### ORDERING INFORMATION

Example: CDR8-5L-LKFS-SW

| Series | Nominal Lumen Output (Selectable) | Kelvin (Selectable)                 | Baffle Type                            |
|--------|-----------------------------------|-------------------------------------|--|
| CDR8   | 5L 5000/ 4000/ 3000lm             | LKFS 2700 / 3000/ 3500/ 4000/ 5000K | WHT Baffled White<br>SW Specular White |

## ACCESSORIES (ORDER SEPARATELY)

### Mounting Options

- BL8CLED-ND = Mounting Frame for use with CDR8
- MP-UD46810-NC = Mounting plate for 4", 6", 8" and 10" can-less recessed down lights.

### Remote Mount EM Drivers

- BLEM-INDRV-HV40W = 40W Emergency Driver

### Trim Rings

- CDR8-TR-BK = TRIM RING, 8", FOR USE EXCLUSIVELY WITH CDR8-5L-LKFS, BLACK, BAFFLE REFLECTOR

## LUMEN TABLES

| Series           | Measurements | Low Lumens |       |        |        |        | Mid Lumens |       |       |        |       | High Lumens |       |       |       |       |
|------------------|--------------|------------|-------|--------|--------|--------|------------|-------|-------|--------|-------|-------------|-------|-------|-------|-------|
|                  |              | 2700K      | 3000K | 3500K  | 4000K  | 5000K  | 2700K      | 3000K | 3500K | 4000K  | 5000K | 2700K       | 3000K | 3500K | 4000K | 5000K |
| CDR8-5L-LKFS-WHT | Lumens       | 2904       | 2979  | 3188   | 3321   | 3362   | 3649       | 3811  | 4048  | 4209   | 4291  | 4108        | 4368  | 4638  | 4759  | 4712  |
|                  | Watts        | 32.38      | 32.13 | 31.62  | 31.77  | 32.86  | 42.54      | 42.14 | 41.30 | 41.52  | 43.17 | 49.25       | 48.76 | 47.66 | 47.97 | 50.03 |
|                  | Efficacy     | 89.68      | 92.73 | 100.83 | 104.52 | 102.32 | 85.77      | 90.44 | 98.02 | 101.37 | 99.39 | 83.42       | 89.59 | 97.32 | 99.22 | 94.18 |

| Series          | Measurements | Low Lumens |       |       |       |       | Mid Lumens |       |       |       |       | High Lumens |       |       |        |       |
|-----------------|--------------|------------|-------|-------|-------|-------|------------|-------|-------|-------|-------|-------------|-------|-------|--------|-------|
|                 |              | 2700K      | 3000K | 3500K | 4000K | 5000K | 2700K      | 3000K | 3500K | 4000K | 5000K | 2700K       | 3000K | 3500K | 4000K  | 5000K |
| CDR8-5L-LKFS-SW | Lumens       | 2829       | 2881  | 2933  | 2955  | 2981  | 3617       | 3679  | 3698  | 3837  | 3754  | 4064        | 4260  | 4555  | 4723   | 4629  |
|                 | Watts        | 31.60      | 31.30 | 30.70 | 30.80 | 31.60 | 41.60      | 41.20 | 40.30 | 40.40 | 41.70 | 48.30       | 47.80 | 46.70 | 46.80  | 48.70 |
|                 | Efficacy     | 89.54      | 92.03 | 95.55 | 95.93 | 94.32 | 86.96      | 89.29 | 91.76 | 94.98 | 90.03 | 84.15       | 89.13 | 97.54 | 100.93 | 95.05 |

## ELECTRICAL DATA

| Series           | CCT   | Input Amps (A) |      |      |            |      |      |             |      |      |
|------------------|-------|----------------|------|------|------------|------|------|-------------|------|------|
|                  |       | Low Lumens     |      |      | Mid Lumens |      |      | High Lumens |      |      |
|                  |       | 120V           | 240V | 277V | 120V       | 240V | 277V | 120V        | 240V | 277V |
| CDR8-5L-LKFS-WHT | 2700K | 0.27           | 0.13 | 0.12 | 0.35       | 0.18 | 0.15 | 0.41        | 0.21 | 0.18 |
|                  | 3000K | 0.27           | 0.13 | 0.12 | 0.35       | 0.18 | 0.15 | 0.41        | 0.20 | 0.18 |
|                  | 3500K | 0.26           | 0.13 | 0.11 | 0.34       | 0.17 | 0.15 | 0.40        | 0.20 | 0.17 |
|                  | 4000K | 0.26           | 0.13 | 0.11 | 0.35       | 0.17 | 0.15 | 0.40        | 0.20 | 0.17 |
|                  | 5000K | 0.27           | 0.14 | 0.12 | 0.36       | 0.18 | 0.16 | 0.42        | 0.21 | 0.18 |

| Series          | CCT   | Input Amps (A) |      |      |            |      |      |             |      |      |
|-----------------|-------|----------------|------|------|------------|------|------|-------------|------|------|
|                 |       | Low Lumens     |      |      | Mid Lumens |      |      | High Lumens |      |      |
|                 |       | 120V           | 240V | 277V | 120V       | 240V | 277V | 120V        | 240V | 277V |
| CDR8-5L-LKFS-SW | 2700K | 0.26           | 0.13 | 0.11 | 0.35       | 0.17 | 0.15 | 0.40        | 0.20 | 0.17 |
|                 | 3000K | 0.26           | 0.13 | 0.11 | 0.34       | 0.17 | 0.15 | 0.40        | 0.20 | 0.17 |
|                 | 3500K | 0.26           | 0.13 | 0.11 | 0.34       | 0.17 | 0.15 | 0.39        | 0.19 | 0.17 |
|                 | 4000K | 0.26           | 0.13 | 0.11 | 0.34       | 0.17 | 0.15 | 0.39        | 0.20 | 0.17 |
|                 | 5000K | 0.26           | 0.13 | 0.11 | 0.35       | 0.17 | 0.15 | 0.41        | 0.20 | 0.18 |

## PHOTOMETRICS

### CDR8-5L-LKFS-WHT

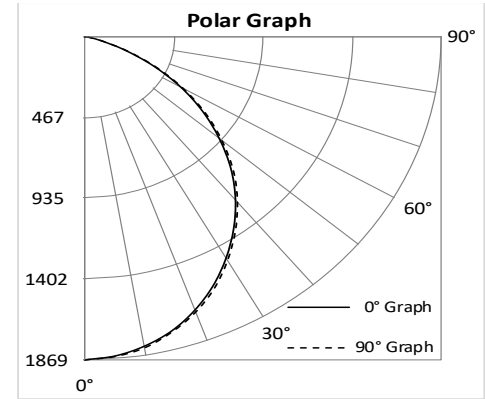
#### Luminaire Data

| Description                    | Commercial Downlight<br>Lumen/Kelvin Selectable |
|--------------------------------|---|
| Total Lumens                   | 4,369   |
| Input Wattage                  | 51  |
| Efficacy (lm/W)                | 85  |
| Spacing Criterion<br>(0-180°)  | 1.2   |
| Spacing Criterion<br>(90-270°) | 1.2   |

Photometrics calculated at  
2700k - high lumens  
setting

#### Zonal Lumen Summary

| Zone    | Lumens | %Fixt  |
|---------|--------|--------|
| 0-20°   | 675    | 15.5%  |
| 0-30°   | 1,413  | 32.3%  |
| 0-40°   | 2,273  | 52.0%  |
| 20-50°  | 2,447  | 56.0%  |
| 40-70°  | 1,951  | 44.7%  |
| 0-60°   | 3,813  | 87.3%  |
| 0-80°   | 4,350  | 99.6%  |
| 0-90°   | 4,369  | 100.0% |
| 90-180° | 0      | 0.0%   |
| 0-180°  | 4,369  | 100.0% |



### CDR8-5L-LKFS-SW

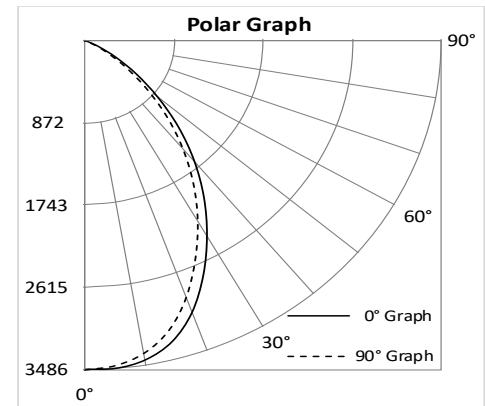
#### Luminaire Data

| Description                    | Commercial Downlight<br>Lumen/Kelvin Selectable |
|--------------------------------|---|
| Total Lumens                   | 4,906   |
| Input Wattage                  | 50  |
| Efficacy (lm/W)                | 98  |
| Spacing Criterion<br>(0-180°)  | 1.08  |
| Spacing Criterion<br>(90-270°) | 1.02  |

Photometrics calculated at  
2700k - high lumens  
setting

#### Zonal Lumen Summary

| Zone    | Lumens | %Fixt  |
|---------|--------|--------|
| 0-20°   | 1,213  | 24.7%  |
| 0-30°   | 2,379  | 48.5%  |
| 0-40°   | 3,517  | 71.7%  |
| 20-50°  | 3,152  | 64.3%  |
| 40-70°  | 1,380  | 28.1%  |
| 0-60°   | 4,793  | 97.7%  |
| 0-80°   | 4,904  | 100.0% |
| 0-90°   | 4,906  | 100.0% |
| 90-180° | 0      | 0.0%   |
| 0-180°  | 4,906  | 100.0% |



## COMPATIBLE DIMMERS AND CONTROLS

| Manufacturer | Model Number |            |            |          |
|--------------|--------------|------------|------------|----------|
| Lutron       | RMJS-8T-DV-B | Diva DVSTV | MS-Z101-WH | DVSTV-WH |
| Legrand      | RH4FBL3PW    | -          | -          | -        |

## 10" Architectural Round Downlight Lumen & Kelvin Selectable



### STANDARDS



### HOUSING

- Premium powder-coat, aluminum, white housing.

### ELECTRICAL

- Universal 120-277V AC voltage (50-60Hz) is standard.
- 0-10VDC dimming drivers are standard.
- 21.65" flexible metal conduit with additional 6" of conductor is standard.
- Input transient surge protection = 1kV.
- Type IC.
- Power factor > 0.90.
- Total Harmonic distortion < 20%.

### OPTICAL SYSTEM

- Polycarbonate diffuser.
- Field selectable 2700k(soft white), 3000k(warm white), 3500k(warm/neutral white), 4000k (neutral white) and 5000k (cool white) color temperatures\*.
- Tri-Lumen selectable delivers 3,000 to 5,000 nominal lumens\*.
- Long-life LEDs provide 149,000 hours of operation with at least 70% of initial lumen output (L70), and 44,000 hours with at least 90% of initial lumen output (L90)\*\*.
- LED color maintenance < -0.0047 chromaticity shift ( $\Delta u'v'$ ) over the initial 6,000 hours of operation.
- Beam angle 65°.
- Color rendering index > 90.

\* Factory Default kelvin temperature 4000k and highest lumen output

\*\*L70 & L90 hours are IES TM-21-11 calculated hours.

### MOUNTING

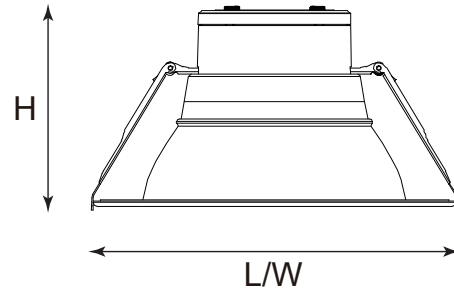
- Recessed in ceiling, new construction or retrofit.
- Access above ceiling required.
- Covered ceiling mount only.
- Compatible with 8.97" ceiling cut-outs and 10" mounting frames.

### CODE COMPLIANCE

- cETLus listed for wet locations.
- Energy Star certified.
- Complies with FCC part 15, class B.
- Complies with Title 24.

### WARRANTY

- 5 year warranty on all electronics and housing.



| Model #          | L (in) | W (in) | H (in) | Weight (lbs) | Cut Out (in) |
|------------------|--------|--------|--------|--------------|--------------|
| CDR10-5L-LKFS-SW | 11.4   | 11.4   | 6.01   | 2.43         | 8.97"        |

### ORDERING INFORMATION

Example: CDR10-5L-LKFS-SW

| Series | Nominal Lumen Output (Selectable) | Kelvin (Selectable)                 | Baffle Type       |
|--------|-----------------------------------|-------------------------------------|-------------------|
| CDR10  | 5L 5000/ 4000/ 3000lm             | LKFS 2700 / 3000/ 3500/ 4000/ 5000K | SW Specular White |

## ACCESSORIES (ORDER SEPARATELY)

### Mounting Option:

MP-UD46810-NC = Mounting plate for 4", 6", 8" and 10" canless recessed downlights.

### Remote Mount EM Drivers

BLEM-INDRV-HV40W = 40W Emergency Driver

## LUMEN TABLES

| Series           | Measurements | Low Lumens |       |       |       |       | Mid Lumens |       |       |       |       | High Lumens |       |        |        |       |
|------------------|--------------|------------|-------|-------|-------|-------|------------|-------|-------|-------|-------|-------------|-------|--------|--------|-------|
|                  |              | 2700K      | 3000K | 3500K | 4000K | 5000K | 2700K      | 3000K | 3500K | 4000K | 5000K | 2700K       | 3000K | 3500K  | 4000K  | 5000K |
| CDR10-5L-LKFS-SW | Lumens       | 2893       | 2876  | 2862  | 2947  | 2931  | 3660       | 3701  | 3621  | 3710  | 3826  | 4227        | 4616  | 4677   | 4797   | 4737  |
|                  | Watts        | 31.80      | 31.50 | 30.90 | 30.90 | 31.80 | 41.60      | 52.20 | 40.30 | 40.40 | 41.70 | 48.30       | 47.80 | 46.70  | 46.80  | 48.70 |
|                  | Efficacy     | 90.98      | 91.29 | 92.61 | 95.37 | 92.16 | 87.97      | 70.90 | 89.85 | 91.83 | 91.74 | 87.51       | 96.56 | 100.15 | 102.37 | 97.26 |

## ELECTRICAL DATA

| Series           | CCT   | Input Amps (A) |      |      |            |      |      |             |      |      |
|------------------|-------|----------------|------|------|------------|------|------|-------------|------|------|
|                  |       | Low Lumens     |      |      | Mid Lumens |      |      | High Lumens |      |      |
|                  |       | 120V           | 240V | 277V | 120V       | 240V | 277V | 120V        | 240V | 277V |
| CDR10-5L-LKFS-SW | 2700K | 0.27           | 0.13 | 0.11 | 0.35       | 0.17 | 0.15 | 0.40        | 0.20 | 0.17 |
|                  | 3000K | 0.26           | 0.13 | 0.11 | 0.44       | 0.22 | 0.19 | 0.40        | 0.20 | 0.17 |
|                  | 3500K | 0.26           | 0.13 | 0.11 | 0.34       | 0.17 | 0.15 | 0.39        | 0.19 | 0.17 |
|                  | 4000K | 0.26           | 0.13 | 0.11 | 0.34       | 0.17 | 0.15 | 0.39        | 0.20 | 0.17 |
|                  | 5000K | 0.27           | 0.13 | 0.11 | 0.35       | 0.17 | 0.15 | 0.41        | 0.20 | 0.18 |

## COMPATIBLE DIMMERS AND CONTROLS

| Manufacturer | Model Number |            |            |          |
|--------------|--------------|------------|------------|----------|
| Lutron       | RMJS-8T-DV-B | Diva DVSTV | MS-Z101-WH | DVSTV-WH |
| Legrand      | RH4FBL3PW    | -          | -          | -        |

## PHOTOMETRICS

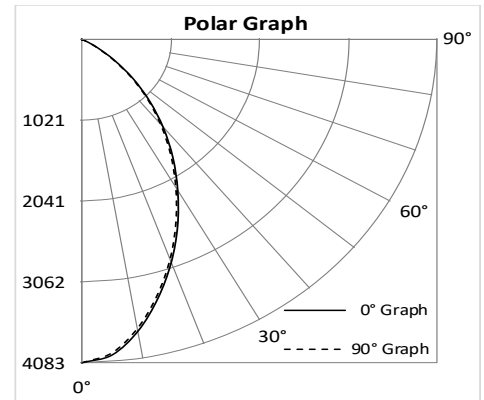
### CDR10-5L-LKFS-SW

#### Luminaire Data

| Description  | Commercial Downlight<br>Lumen/Kelvin Selectable |
|--|---|
| Total Lumens   | 4,887   |
| Input Wattage  | 49  |
| Efficacy (lm/W)  | 100   |
| Spacing Criterion<br>(0-180°)                                | 0.9   |
| Spacing Criterion<br>(90-270°)                               | 0.88  |
| Photometrics calculated at<br>2700k - high lumens<br>setting |   |

#### Zonal Lumen Summary

| Zone    | Lumens | %Fixt  |
|---------|--------|--------|
| 0-20°   | 1,306  | 26.7%  |
| 0-30°   | 2,479  | 50.7%  |
| 0-40°   | 3,591  | 73.5%  |
| 20-50°  | 3,110  | 63.6%  |
| 40-70°  | 1,291  | 26.4%  |
| 0-60°   | 4,809  | 98.4%  |
| 0-80°   | 4,886  | 100.0% |
| 0-90°   | 4,887  | 100.0% |
| 90-180° | 0      | 0.0%   |
| 0-180°  | 4,887  | 100.0% |



## 4" LED Dedicated Cans

### STANDARD

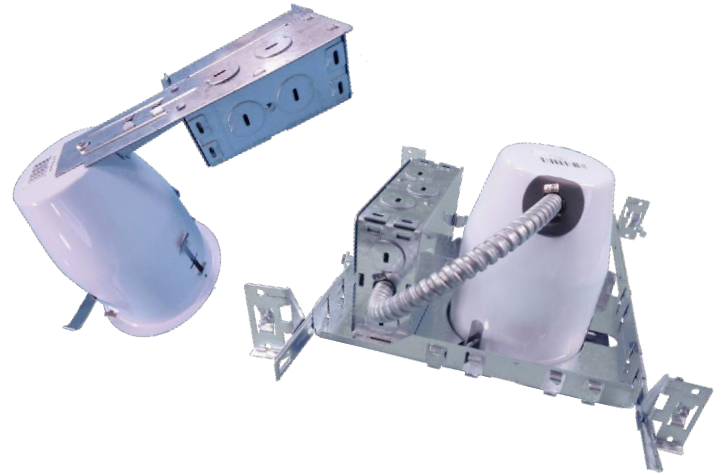


### FEATURES

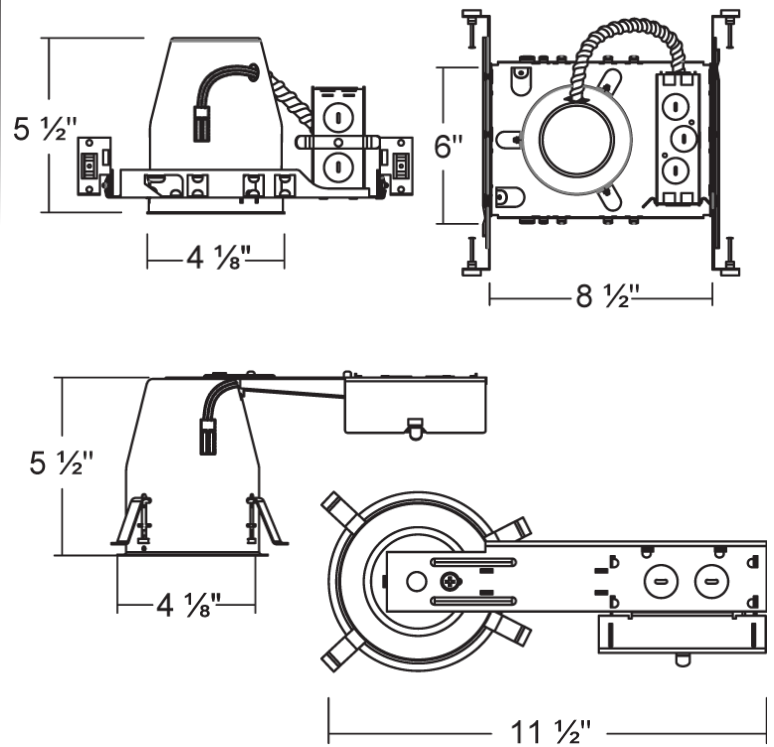
- Dedicated housings for most 4" LED trims (compatible with BRK-LED4-BW, BRK-LED4-BW-V2, and BRK-LED4-GR series).
- Suitable for new construction or remodel applications.
- Galvanized steel construction.
- New construction model comes standard with nail for easy install.
- Bar hangers for use with new construction models are adjustable from 13.6" to 25".
- Remodel cans install into existing material with no above ceiling access required.
- Through branch wiring with maximum 6 No. AWG conductors.
- Remodel cans come standard with four torsion clips to secure housing – accommodates 0.5" and 0.6" ceilings.
- Features seven ½" NPT knockouts.
- 2-pin quick connector.
- This device is not intended for use with emergency exits.

### WARRANTY & LISTINGS

- cULus listed for damp locations.
- cULus listed for through-branch wiring.
- Title 24 compliant.
- Certified under ASTM-E283 for air-tight construction.
- 5-year warranty of all electronics and housing.



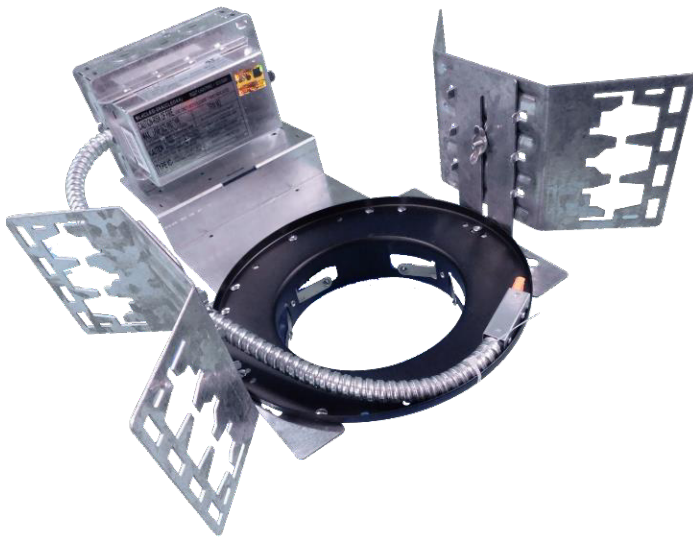
### DIMENSIONS



### ORDERING INFORMATION

| MODEL        | DESCRIPTION                                      |
|--------------|--|
| BL4ICLED-NND | 4" IC LED DEDICATED CAN FOR NEW CONSTRUCTION     |
| BL4ICLED-RND | 4" IC LED DEDICATED CAN FOR REMODEL APPLICATIONS |

## FRAMES



## FEATURES

- Flat bar hangers available for ceiling grid mounting (order separately).
- Junction box is mounted on frame for easy wiring and driver access.
- Integral heat sink for heat disbursement.
- Tapered aluminum reflector with frosted lens.
- Input voltage = 120-277V (50-60Hz).
- Wattage = 21W (3000k) or 28W (4000k)
- 0-10V dimming.

## TRIMS



## FEATURES

- Available in 3000k (warm white) and 4000k (neutral white) color temperatures.\*
- Long-life LEDs provide at least 70% of initial lumen output ( $L_{70}$ ) for 50,000 hours of operation.\*\*
- Provides up to 1,940 nominal lumens.
- Color rendering index ( $R_a$ ) > 80.

\* Contact factory for other color temperatures and lumen packages.  
 \*\*  $L_{70}$  hours are IES TM-21-11 calculated hours.

## WARRANTY & LISTINGS

- cULus listed for damp and wet locations.
- Energy Star qualified.
- Title 24 compliant.
- Complies with RoHS (Restriction on Hazardous Substances) requirements.
- 5-year warranty of all electronics and housing.

## STANDARD



## ORDERING INFORMATION - Frames

| MODEL       | DESCRIPTION                                      |
|-------------|--|
| BL4CLED-21A | 4" FRAME, 21 WATTS, FOR USE WITH BL4TCLD-21HZ-3K |
| BL4CLED-28A | 4" FRAME, 28 WATTS, FOR USE WITH BL4TCLD-28HZ-3K |

## ORDERING INFORMATION - TRIMS

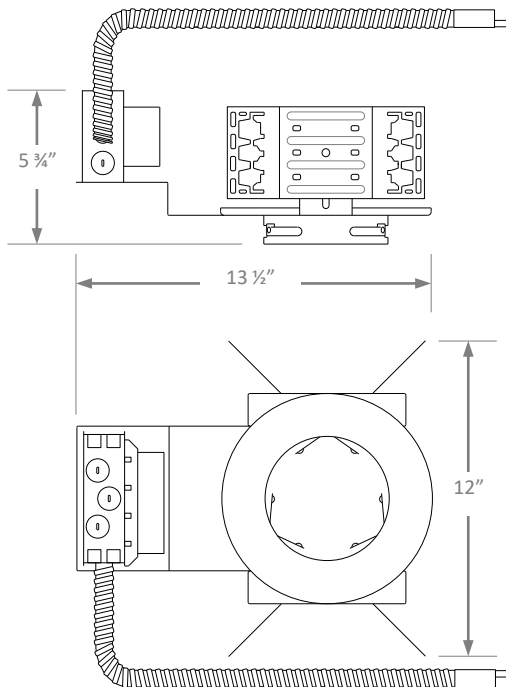
| MODEL           | DESCRIPTION  |
|-----------------|--|
| BL4TCLD-21HZ-3K | 4" TRIM, 3000K, 1,590 LUMENS, FOR USE WITH BL4CLED-21A |
| BL4TCLD-28HZ-4K | 4" TRIM, 4000K, 1,940 LUMENS, FOR USE WITH BL4CLED-28A |

## ACCESSORIES

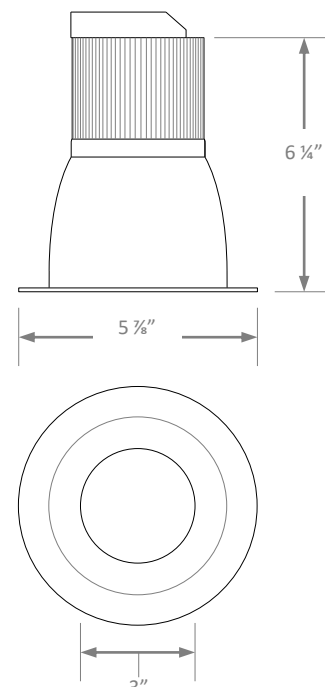
| MOUNTING ACCESSORIES         |   |
|------------------------------|---|
| ZZ-BARHANGER-ARCHCAN-FLAT27" | FLAT BAR HANGER - 27", FOR ARCHITECTURAL CANS |

## DIMENSIONS

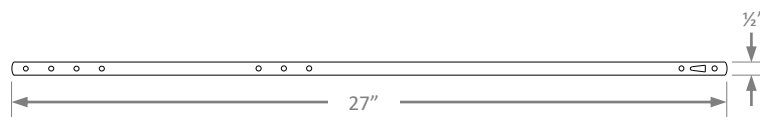
**BL4CLED-21A  
BL4CLED-28A**



**BL4TCLD-21HZ-3K  
BL4TCLD-28HZ-4K**



**ZZ-BARHANGER-  
ARCHCAN-FLAT27"**



## FRAMES



## FEATURES

- Flat bar hangers available for ceiling grid mounting (order separately).
- Junction box is mounted on frame for easy wiring and driver access.
- Integral heat sink for heat disbursement.
- Tapered aluminum reflector with frosted lens.
- Input voltage = 120-277V (50-60Hz).
- Wattage = 28W (3000k) or 48W (4000k)
- 0-10V dimming.

## TRIMS



## FEATURES

- Available in 3000k (warm white) and 4000k (neutral white) color temperatures.\*
- Long-life LEDs provide at least 70% of initial lumen output ( $L_{70}$ ) for 50,000 hours of operation.\*\*
- Provides up to 3,770 nominal lumens.
- Color rendering index ( $R_a$ ) > 80.

\* Contact factory for other color temperatures and lumen packages.

\*\*  $L_{70}$  hours are IES TM-21-11 calculated hours.

## STANDARD

## WARRANTY & LISTINGS

- cULus listed for damp and wet locations.
- Energy Star qualified.
- Title 24 compliant.



- Complies with RoHS (Restriction on Hazardous Substances) requirements.
- 5-year warranty of all electronics and housing.

## ORDERING INFORMATION - Frames

| MODEL       | DESCRIPTION                                      |
|-------------|--|
| BL6CLED-28A | 6" FRAME, 28 WATTS, FOR USE WITH BL6TCLD-28HZ-3K |
| BL6CLED-48A | 6" FRAME, 48 WATTS, FOR USE WITH BL6TCLD-48HZ-4K |

## ORDERING INFORMATION - TRIMS

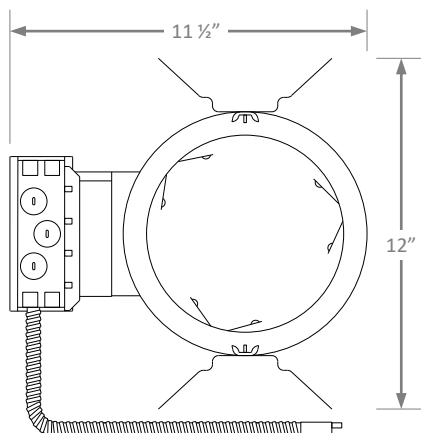
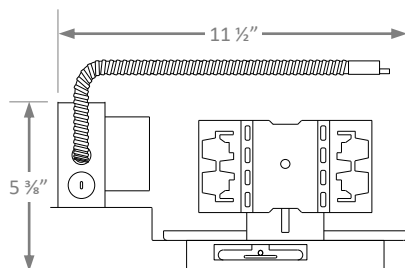
| MODEL           | DESCRIPTION  |
|-----------------|--|
| BL6TCLD-28HZ-3K | 6" TRIM, 3000K, 2,210 LUMENS, FOR USE WITH BL6CLED-28A |
| BL6TCLD-48HZ-4K | 6" TRIM, 4000K, 3,770 LUMENS, FOR USE WITH BL6CLED-48A |

## ACCESSORIES

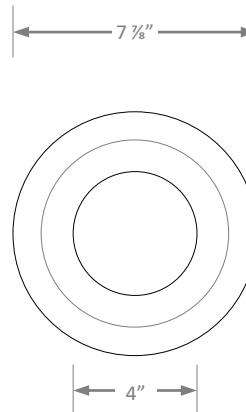
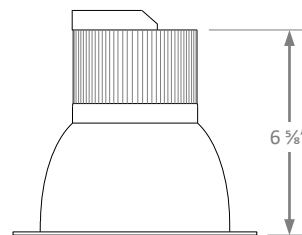
| MOUNTING ACCESSORIES         |   |
|------------------------------|---|
| ZZ-BARHANGER-ARCHCAN-FLAT27" | FLAT BAR HANGER - 27", FOR ARCHITECTURAL CANS |

## DIMENSIONS

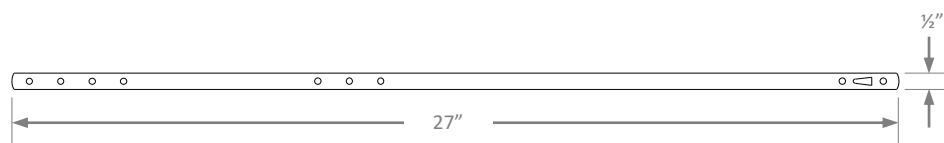
**BL6CLED-28A  
BL6CLED-48A**



**BL6TCLD-28HZ-3K  
BL6TCLD-48HZ-4K**



**ZZ-BARHANGER-  
ARCHCAN-FLAT27"**



## 6" LED Dedicated Cans

### STANDARD



### FEATURES

- Dedicated housings for 6" LED trims (BRK-LED56-BW, BRK-LED56-BW-V2, and BRK-LED56-GR series).
- Suitable for new construction or remodel applications.
- Galvanized steel construction.
- New construction model comes standard with nail for easy install.
- Bar hangers for use with new construction models are adjustable from 13.6" to 25" and can be positioned up to 90°.
- Remodel cans install into existing material with no above ceiling access required.
- Remodel cans come standard with four torsion clips to secure housing – accommodates 0.5" and 0.6" ceilings.
- Contains one 1.1" and six 0.9" knockouts and four romex pry-outs with strain relief.
- 2-pin snap-in connector for easy connection to LED trims.
- This device is not intended for use with emergency exits.

### WARRANTY & LISTINGS

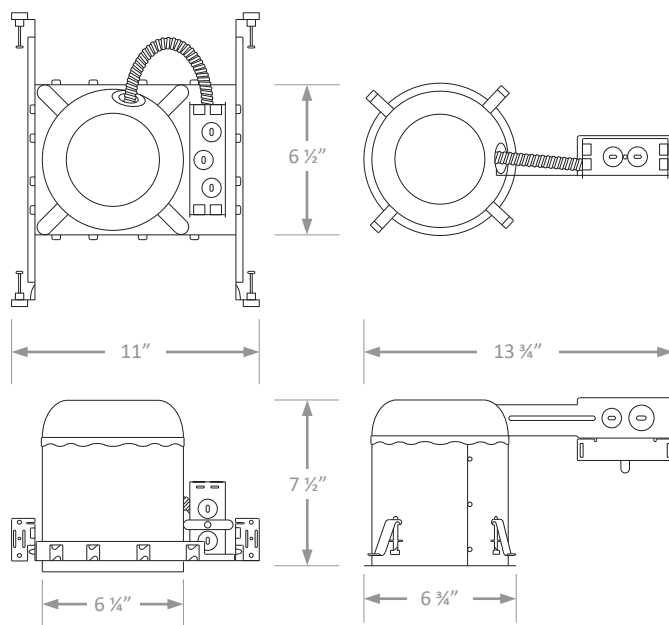
- cULus listed Type IC for damp locations.
- Listed for through-branch wiring.
- Title 24 compliant.
- Energy Star qualified.
- 5-year warranty of all electronics and housing.



BL9ICLED-NND

BL9ICLED-RND

### DIMENSIONS



### ORDERING INFORMATION

| MODEL        | DESCRIPTION                                      |
|--------------|--|
| BL9ICLED-NND | 6" IC LED DEDICATED CAN FOR NEW CONSTRUCTION     |
| BL9ICLED-RND | 6" IC LED DEDICATED CAN FOR REMODEL APPLICATIONS |

## FRAMES



## FEATURES

- Flat bar hangers available for ceiling grid mounting (order separately).
- Junction box is mounted on frame for easy wiring and driver access.
- Integral heat sink for heat disbursement.
- Tapered aluminum reflector with frosted lens.
- Input voltage = 120-277V (50-60Hz).
- Wattage = 40W or 52W
- 0-10V dimming.

## TRIMS



## FEATURES

- Available in 4000k (neutral white) color temperatures.\*
- Long-life LEDs provide at least 70% of initial lumen output (L<sub>70</sub>) for 50,000 hours of operation.\*\*
- Provides up to 4,530 nominal lumens.
- Color rendering index (R<sub>a</sub>) > 80.

\* Contact factory for other color temperatures and lumen packages.

\*\* L<sub>70</sub> hours are IES TM-21-11 calculated hours.

## WARRANTY & LISTINGS

- cULus listed for damp and wet locations.
- Energy Star qualified.
- Title 24 compliant.

## STANDARD



- Complies with RoHS (Restriction on Hazardous Substances) requirements.
- 5-year warranty of all electronics and housing.

## ORDERING INFORMATION - Frames

| MODEL       | DESCRIPTION                                      |
|-------------|--|
| BL8CLED-40A | 8" FRAME, 40 WATTS, FOR USE WITH BL8TCLD-40HZ-4K |
| BL8CLED-52A | 8" FRAME, 52 WATTS, FOR USE WITH BL8TCLD-52HZ-4K |

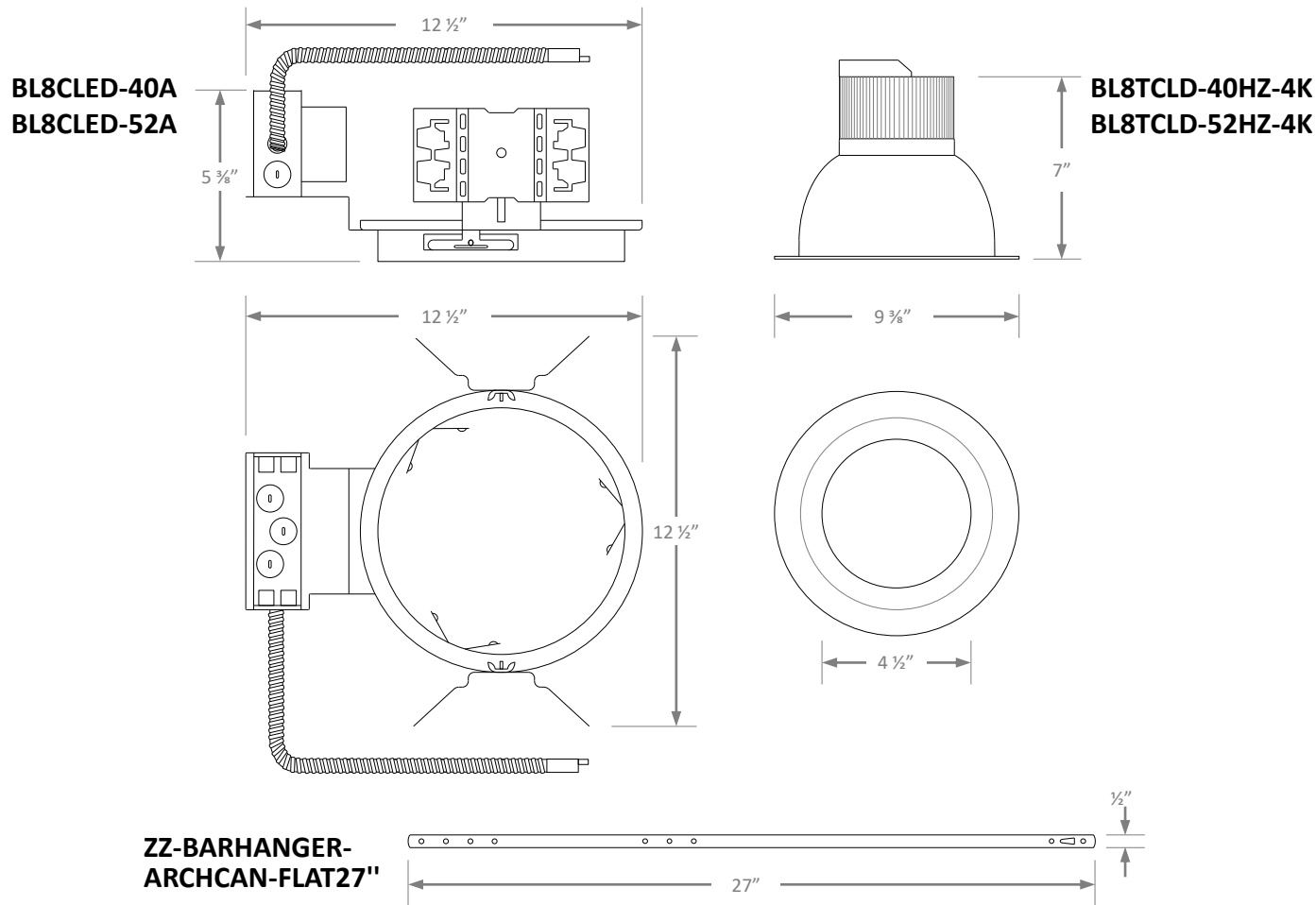
## ORDERING INFORMATION - TRIMS

| MODEL           | DESCRIPTION  |
|-----------------|--|
| BL8TCLD-40HZ-4K | 8" TRIM, 4000K, 3,090 LUMENS, FOR USE WITH BL8CLED-40A |
| BL8TCLD-52HZ-4K | 8" TRIM, 4000K, 4,530 LUMENS, FOR USE WITH BL8CLED-52A |

## ACCESSORIES

| MOUNTING ACCESSORIES         |   |
|------------------------------|---|
| ZZ-BARHANGER-ARCHCAN-FLAT27" | FLAT BAR HANGER - 27", FOR ARCHITECTURAL CANS |

## DIMENSIONS





## Warranty

Americanlite® is pleased to provide a 5 year limited warranty covering the fixtures and lamps in this catalogue. Americanlite® warrants that the fixtures comply with Americanlite®'s published specifications and are free from defects in materials and workmanship.

All our equipment is CE, TUV, FCC or UL approved and manufactured with approved components. Americanlite® reserves the right to change or improve the design or components of any of its products due to parts availability or changes in standards, without assuming any obligation to modify any product previously manufactured and without notice. All equipment is tested and inspected before shipment.

This warranty is void if the product is operated outside of its normal operating conditions. The foregoing warranty does not apply to failures caused by acts of God or as a result of any abuse, misuse, abnormal use, or use in violation of any applicable standard, code or instructions for use in installations, including, but not limited to, those contained in the Standards for the International Electrotechnical Commission. Americanlite® reserves and has the right to examine failed ballast to determine the cause of failure, excessive lumen depreciation and patterns of usage.