

OUTDOOR LIGHTING

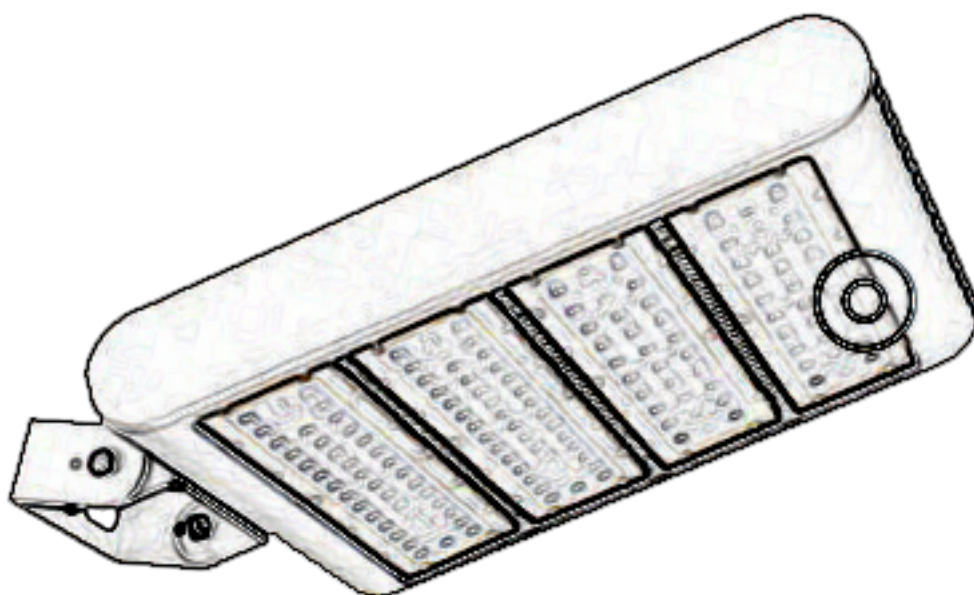
USA QuickShip program

americanlite®

We light your world™



Floodlites™ and Streetlites™



Multi-Purpose Area luminaire Sensor Ready



STANDARDS



HOUSING

- Premium powder-coat, die cast aluminum, Bronze housing.

ELECTRICAL

- Operating temperature (ambient): -40°C to 50°C (-40°F to 122°F).
- Universal 120-277V or 277-480V AC voltage (50-60Hz) with 6-foot incoming power cords.
- 0-10V DC dimming drivers are standard.
- IES roadway distributions include type III & V.
- Watertight, compression-type electrical connectors.
- Input transient surge protection = 6kV.
- PF > 0.9; THD < 20%.

OPTICAL SYSTEM

- Polycarbonate lens.
- Field selectable 3000K (warm white), 4000K (neutral white) and 5000K (cool white) color temperatures.*
- MPALSR-241812L-3CCT provides a range of 12,267 to 25,747 nominal lumens.*
- MPALSR-403224L-3CCT provides a range of 23,377 to 41,366 nominal lumens.*
- Long-life LEDs provide 167,000 hours of operation with at least 70% of initial lumen output (L70), and 51,000 hours with at least 90% of initial lumen output (L90).**
- Screw in sensor ready. Sensor and remote control sold separately. Remote control required to change factory sensor settings.
- LED chromaticity based on < 6-step ANSI quadrangles.
- LED color maintenance < 0.0019 chromaticity shift ($\Delta u'v'$) over the initial 6,000 hours of operation.
- Color Rendering Index > 70.

* Default kelvin temperature 4000k and highest lumen output.

** L70 & L90 hours are IES TM-21-11 calculated hours.

MOUNTING

- Optional Universal Mount (Arm and Slip-fitter combination).
- Optional Adjustable Arm Mounting kit.
- Optional Slip-fitter Mounting kit.
- Optional Yoke Mounting kit.
- Optional Trunion Mounting kit.

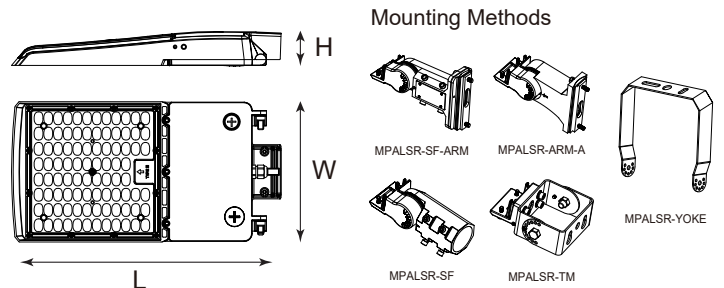
*** Mounting hardware sold separately. One must be ordered. Pole tenons and tenon adapters available. See all mounting accessories on page 2.**

CODE COMPLIANCE

- cULus listed for wet locations.
- DLC premium listed
- Complies with FCC Part 15, class A.
- IP65 rated for ingress protection.
- IK08 rated for impact protection.

WARRANTY

- 5 year warranty on all electronics and housing.



Model #	L (in)	W (in)	H (in)	Weight (lbs)
MPALSR-241812L-3CCT-T3(T5)	16.63	8.66	2.07	5.59
MPALSR-403224L-3CCT-T3(T5)	20.05	11.89	2.07	8.24
MPALSR-241812L-3CCT-T3(T5)-UNC	16.63	8.66	2.07	6.21
MPALSR-403224L-3CCT-T3(T5)-UNC	20.05	11.89	2.07	8.66

ORDERING INFORMATION

Example: MPALSR-241812L-3CCT-T3-UNC

Model	Nominal Lumen Output (selectable)		Kelvin (selectable)		Distribution	Input Voltage	Installed Options
MPALSR	241812L	24,000/ 18,000/ 12,000 lm	3CCT	3000/ 4000/ 5000K	T3 Type III T5 Type V	Blank 120-277V UNC 277-480V	PR 3-Pin NEMA Photocell receptacle
	403224L	40,000/ 32,000/ 24,000 lm					

ACCESSORIES (ORDER SEPARATELY)

Sensor

- HD09VR-PH5-1 = Passive infrared sensor - maximum mounting height = 39 FT
 - HD09VR-MH5-1 = Microwave step-dimming sensor - maximum mounting height = 49 FT
 - HD05R = Remote control for HD09VR series Sensors (required to change factory settings)
- *HD09VR series has 5-dial setting capability.**

Factory settings or Sensor : detection a ea =100%, hold time = 5 sec, tand-by period = 0 sec, stand-by dimming level = 10%, daylight threshold = disabled

Photocell

- HD07VR-A-1 = 12VDC photocell; RCA jack, factory set to turn on at 10 lux, turns of at 100 lux
- Note: Screws into Sensor RCA receptacle that comes standard on the fixture.**

NEMA Photocell

- JL-205C23-IP65 = 120-277V 3-PIN NEMA Photocell; Rated up to 1800W; Turns on at 6 lux, Turns off at 50 lux
- 26WA86 = 480V 3-PIN NEMA Photocell; Rated up to 1800W; Turns on at 10-20 lux, turns off at 30-60 lux

Note: Fixture must be ordered with optional NEMA 3-pin photocell receptacle (-PR).

Mounting O tio

- MPALSR-SF-ARM = Slip Fitter and Arm Mount Combination (2-3/8" pole or pole tenon, round and square poles)
- MPALSR-ARM-A = Adjustable Arm Mount (round and square poles)
- MPALSR-SF = Slip Fitter (2-3/8" pole or pole tenon)
- MPALSR-YOKE-S = Yoke for MPALSR-241812L
- MPALSR-YOKE-L = Yoke for MPALSR-403224L
- MPALSR-TM = Trunnion Mount
- LEDMPALPRO-D180BH = Double 180° Bullhorn Mounting Bracket
- LEDMPALPRO-WMB = Wall Mount Bracket
- LEDMPALPRO-WMB90 = 90° Wall Mount Bracket
- 4SQR-SP-D = 4" Round Pole Tenon
- 5SQR-SP-D = 5" Round Pole Tenon
- 4SQ-SP-D = 4" Square Pole Tenon
- 5SQ-SP-D = 5" Sqaure Pole Tenon
- R60-SP2-90-D = 90° Double Tenon Adapter
- R60-SP2-180-D = 180° Double Tenon Adapter
- R60-SP3-90-D = 90° Triple Tenon Adapter
- R60-SP3-120-D = 120° Triple Tenon Adapter
- R60-SP4-90-D = 90° Quadruple Tenon Adapter

COMPATIBLE DIMMERS AND CONTROLS

Manufacturer	Model Number	Dimmer Range	Load Switching Capacity
Americanlite	DWS-010V-T	10%-100%	600W
Americanlite	DWS-010V-D	10%-100%	600W
Leviton	IP710-LFZ	10%-100%	1200W
Lutron	DVSTV	10%-100%	450W

Note: Not compatible with UNC models.

EFFECTIVE PROJECTED AREAS (EPA)

Model	Front (square feet)	Side (square feet)	Face (square feet)
MPALSR-241812L-3CCT-T3(T5)	0.149	0.287	1.2
MPALSR-403224L-3CCT-T3(T5)	0.21	0.346	1.98

LUMEN TABLES

Series	Measurements	Low Lumen			Mid Lumen			High Lumen		
		3000K	4000K	5000K	3000K	4000K	5000K	3000K	4000K	5000K
MPALSR-241812L-3CCT-T3	Lumens	12,267	12,952	12,897	17,936	19,335	18,935	22,882	24,994	24,095
	Watts	71.28	69.62	71.41	111.4	107.86	111.87	151.23	145.37	151.8
	Efficacy	172.10	186.04	180.60	161.01	179.26	169.26	151.31	171.93	158.73

Series	Measurements	Low Lumen			Mid Lumen			High Lumen		
		3000K	4000K	5000K	3000K	4000K	5000K	3000K	4000K	5000K
MPALSR-241812L-3CCT-T5	Lumens	12,596	13,303	13,235	18,183	19,593	19,152	23,073	25,052	24,045
	Watts	73.6	71.9	73.8	113.38	109.98	113.85	152.42	146.18	152.17
	Efficacy	171.14	185.02	179.34	160.37	178.15	168.22	151.38	171.38	158.01

Series	Measurements	Low Lumen			Mid Lumen			High Lumen		
		3000K	4000K	5000K	3000K	4000K	5000K	3000K	4000K	5000K
MPALSR-403224L-3CCT-T3	Lumens	23,353	24,576	24,456	31,008	33,019	32,522	37,956	40,847	39,755
	Watts	132.19	129.06	132.24	183.1	177.65	183.38	234.67	226.07	234.84
	Efficacy	176.66	190.42	184.94	169.35	185.87	177.35	161.74	180.68	169.29

Series	Measurements	Low Lumen			Mid Lumen			High Lumen		
		3000K	4000K	5000K	3000K	4000K	5000K	3000K	4000K	5000K
MPALSR-403224L-3CCT-T5	Lumens	23,407	24,658	24,545	31,046	33,005	32,416	37,787	40,597	39,578
	Watts	132.12	129.08	132.17	182.34	176.89	182.15	231.6	223.3	232.15
	Efficacy	177.16	191.03	185.71	170.26	186.58	177.96	163.16	181.80	170.48

Series	Measurements	Low Lumen			Mid Lumen			High Lumen		
		3000K	4000K	5000K	3000K	4000K	5000K	3000K	4000K	5000K
MPALSR-241812L-3CCT-T3-UNC	Lumens	12,388	13,183	13,026	17,996	19,465	18,968	22,969	25,184	24,061
	Watts	73.06	72.16	73.53	112.42	109.27	113.48	152.57	146.78	153.62
	Efficacy	169.56	182.69	177.15	160.08	178.14	167.15	150.55	171.58	156.63

Series	Measurements	Low Lumen			Mid Lumen			High Lumen		
		3000K	4000K	5000K	3000K	4000K	5000K	3000K	4000K	5000K
MPALSR-241812L-3CCT-T5-UNC	Lumens	12,372	13,227	13,126	18,223	19,786	19,363	23,393	25,747	24,823
	Watts	72.44	71.05	72.29	112.34	109.49	112.97	152.82	147	154.02
	Efficacy	170.79	186.16	181.57	162.21	180.71	171.40	153.08	175.15	161.17

Series	Measurements	Low Lumen			Mid Lumen			High Lumen		
		3000K	4000K	5000K	3000K	4000K	5000K	3000K	4000K	5000K
MPALSR-403224L-3CCT-T3-UNC	Lumens	23,377	24,602	24,493	31,211	33,239	32,861	38,622	41,303	40,322
	Watts	132.3	129.2	132.6	182.9	176.7	182.9	234	225	233.8
	Efficacy	176.70	190.42	184.71	170.65	188.11	179.67	165.05	183.57	172.46

Series	Measurements	Low Lumen			Mid Lumen			High Lumen		
		3000K	4000K	5000K	3000K	4000K	5000K	3000K	4000K	5000K
MPALSR-403224L-3CCT-T5-UNC	Lumens	23,517	24,748	24,720	31,399	33,421	33,003	38,500	41,366	40,415
	Watts	132.94	129.62	132.82	184.75	178.22	184.43	234.99	225.63	234.93
	Efficacy	176.90	190.93	186.12	169.95	187.53	178.95	163.84	183.34	172.03

ELECTRICAL DATA

Series	CCT	Input Amps (A)								
		Low Lumen			Mid Lumen			High Lumen		
		120V	240V	277V	120V	240V	277V	120V	240V	277V
MPALSR-241812L-3CCT-T3	3000K	0.59	0.30	0.26	0.93	0.46	0.40	1.26	0.63	0.55
	4000K	0.58	0.29	0.25	0.90	0.45	0.39	1.21	0.61	0.52
	5000K	0.60	0.30	0.26	0.93	0.47	0.40	1.27	0.63	0.55

Series	CCT	Input Amps (A)								
		Low Lumen			Mid Lumen			High Lumen		
		120V	240V	277V	120V	240V	277V	120V	240V	277V
MPALSR-241812L-3CCT-T5	3000K	0.61	0.31	0.27	0.94	0.47	0.41	1.27	0.64	0.55
	4000K	0.60	0.30	0.26	0.92	0.46	0.40	1.22	0.61	0.53
	5000K	0.62	0.31	0.27	0.95	0.47	0.41	1.27	0.63	0.55

Series	CCT	Input Amps (A)								
		Low Lumen			Mid Lumen			High Lumen		
		120V	240V	277V	120V	240V	277V	120V	240V	277V
MPALSR-403224L-3CCT-T3	3000K	1.10	0.55	0.48	1.53	0.76	0.66	1.96	0.98	0.85
	4000K	1.08	0.54	0.47	1.48	0.74	0.64	1.88	0.94	0.82
	5000K	1.10	0.55	0.48	1.53	0.76	0.66	1.96	0.98	0.85

Series	CCT	Input Amps (A)								
		Low Lumen			Mid Lumen			High Lumen		
		120V	240V	277V	120V	240V	277V	120V	240V	277V
MPALSR-403224L-3CCT-T5	3000K	1.10	0.55	0.48	1.52	0.76	0.66	1.93	0.97	0.84
	4000K	1.08	0.54	0.47	1.47	0.74	0.64	1.86	0.93	0.81
	5000K	1.10	0.55	0.48	1.52	0.76	0.66	1.93	0.97	0.84

Series	CCT	Input Amps (A)								
		Low Lumen			Mid Lumen			High Lumen		
		277V	347V	480V	277V	347V	480V	277V	347V	480V
MPALSR-241812L-3CCT-T3-UNC	3000K	0.26	0.21	0.15	0.41	0.32	0.23	0.55	0.44	0.32
	4000K	0.26	0.21	0.15	0.39	0.31	0.23	0.53	0.42	0.31
	5000K	0.27	0.21	0.15	0.41	0.33	0.24	0.55	0.44	0.32

Series	CCT	Input Amps (A)								
		Low Lumen			Mid Lumen			High Lumen		
		277V	347V	480V	277V	347V	480V	277V	347V	480V
MPALSR-241812L-3CCT-T5-UNC	3000K	0.26	0.21	0.15	0.41	0.32	0.23	0.55	0.44	0.32
	4000K	0.26	0.20	0.15	0.40	0.32	0.23	0.53	0.42	0.31
	5000K	0.26	0.21	0.15	0.41	0.33	0.24	0.56	0.44	0.32

Series	CCT	Input Amps (A)								
		Low Lumen			Mid Lumen			High Lumen		
		277V	347V	480V	277V	347V	480V	277V	347V	480V
MPALSR-403224L-3CCT-T3-UNC	3000K	0.48	0.38	0.28	0.66	0.53	0.38	0.84	0.67	0.49
	4000K	0.47	0.37	0.27	0.64	0.51	0.37	0.81	0.65	0.47
	5000K	0.48	0.38	0.28	0.66	0.53	0.38	0.84	0.67	0.49

Series	CCT	Input Amps (A)								
		Low Lumen			Mid Lumen			High Lumen		
		277V	347V	480V	277V	347V	480V	277V	347V	480V
MPALSR-403224L-3CCT-T5-UNC	3000K	0.48	0.38	0.28	0.67	0.53	0.38	0.85	0.68	0.49
	4000K	0.47	0.37	0.27	0.64	0.51	0.37	0.81	0.65	0.47
	5000K	0.48	0.38	0.28	0.67	0.53	0.38	0.85	0.68	0.49

PHOTOMETRICS

MPALSR-241812L-3CCT-T3

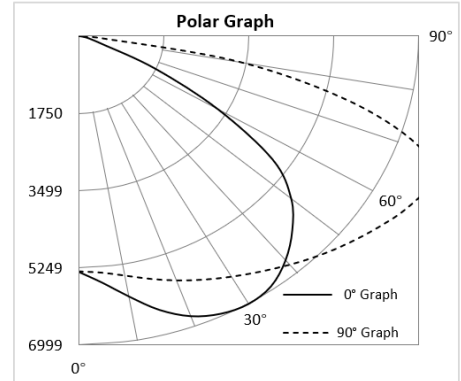
Luminaire Data

Description	Multi Purpose Area Light CCT and Lumen Select
Total Lumens	24,994
Input Wattage	145
Efficacy (lm/W)	172
Max. Cd.	8553.5 (67.5H, 67V)
IES Classification	Type III
Longitudinal Classification	Short

Photometrics calculated at 4000k and highest lumen setting.

Luminaire Classification Systems (LCS)

LCS Zone	Lumens	%Lum
FL 0-30	2,703	10.8%
FM 30-60	7,715	30.9%
FH 60-80	4,041	16.2%
FVH 80-90	268	1.1%
BL 0-30	2,162	8.6%
BM 30-60	5,260	21.0%
BH 60-80	2,712	10.9%
BVH 80-90	134	0.5%
UL 90-100	0	0.0%
UH 100-180	0	0.0%
Total	24,994	100.0%
BUG Rating	B4-U0-G4	



MPALSR-241812L-3CCT-T5

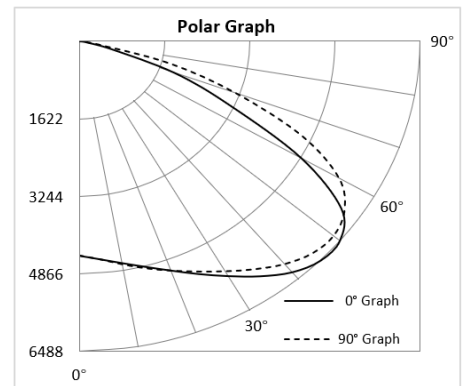
Luminaire Data

Description	Multi Purpose Area Light CCT and Lumen Select
Total Lumens	25,052
Input Wattage	146
Efficacy (lm/W)	171
Max. Cd.	6574.2 (22.5H, 47V)
IES Classification	Type VS
Longitudinal Classification	Very Short

Photometrics calculated at 4000k and highest lumen setting.

Luminaire Classification Systems (LCS)

LCS Zone	Lumens	%Lum
FL 0-30	2,152	8.6%
FM 30-60	7,032	28.1%
FH 60-80	3,419	13.6%
FVH 80-90	131	0.5%
BL 0-30	2,010	8.0%
BM 30-60	6,410	25.6%
BH 60-80	3,681	14.7%
BVH 80-90	217	0.9%
UL 90-100	0	0.0%
UH 100-180	0	0.0%
Total	25,052	100.0%
BUG Rating	B4-U0-G2	



MPALSR-403224L-3CCT-T3

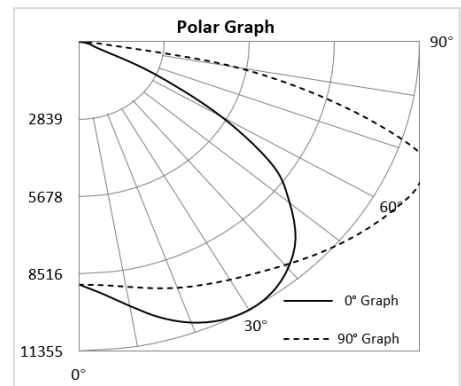
Luminaire Data

Description	Multi Purpose Area Light CCT and Lumen Select
Total Lumens	40,847
Input Wattage	226
Efficacy (lm/W)	181
Max. Cd.	14515 (292.5H, 69V)
IES Classification	Type III
Longitudinal Classification	Medium

Photometrics calculated at 4000k and highest lumen setting.

Luminaire Classification Systems (LCS)

LCS Zone	Lumens	%Lum
FL 0-30	4,412	10.8%
FM 30-60	12,495	30.6%
FH 60-80	6,678	16.3%
FVH 80-90	448	1.1%
BL 0-30	3,584	8.8%
BM 30-60	8,570	21.0%
BH 60-80	4,425	10.8%
BVH 80-90	235	0.6%
UL 90-100	0	0.0%
UH 100-180	0	0.0%
Total	40,847	100.0%
BUG Rating	B5-U0-G4	



MPALSR-403224L-3CCT-T5

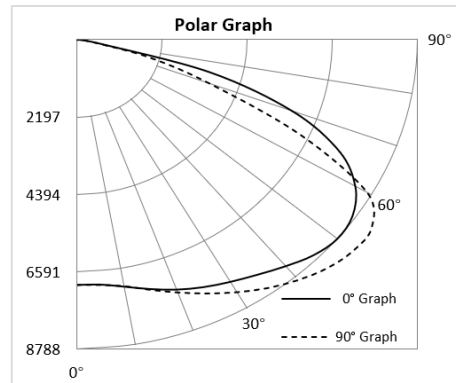
Luminaire Data

Description	Multi Purpose Area Light CCT and Lumen Select
Total Lumens	40,597
Input Wattage	223
Efficacy (lm/W)	182
Max. Cd.	10151 (202.5H, 52V)
IES Classification	Type VS
Longitudinal Classification	Very Short

Photometrics calculated at 4000k and highest lumen setting.

Luminaire Classification Systems (LCS)

LCS Zone	Lumens	%Lum
FL	0-30	3,183 7.8%
FM	30-60	10,099 24.9%
FH	60-80	6,054 14.9%
FVH	80-90	325 0.8%
BL	0-30	3,323 8.2%
BM	30-60	10,985 27.1%
BH	60-80	6,304 15.5%
BVH	80-90	324 0.8%
UL	90-100	0 0.0%
UH	100-180	0 0.0%
Total	40,597	100.0%
BUG Rating	B5-U0-G3	



MPALSR-241812L-3CCT-T3-UNC

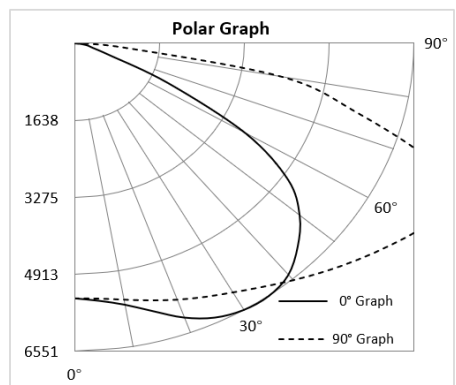
Luminaire Data

Description	Multi Purpose Area Light CCT and Lumen Select
Total Lumens	25,184
Input Wattage	147
Efficacy (lm/W)	172
Max. Cd.	9159.7 (75H, 66V)
IES Classification	Type III
Longitudinal Classification	Short

Photometrics calculated at 4000k and highest lumen setting.

Luminaire Classification Systems (LCS)

LCS Zone	Lumens	%Lum
FL	0-30	2,559 10.2%
FM	30-60	7,667 30.4%
FH	60-80	4,448 17.7%
FVH	80-90	290 1.2%
BL	0-30	2,222 8.8%
BM	30-60	5,319 21.1%
BH	60-80	2,506 10.0%
BVH	80-90	172 0.7%
UL	90-100	0 0.0%
UH	100-180	0 0.0%
Total	25,184	100.0%
BUG Rating	B4-U0-G4	



MPALSR-241812L-3CCT-T5-UNC

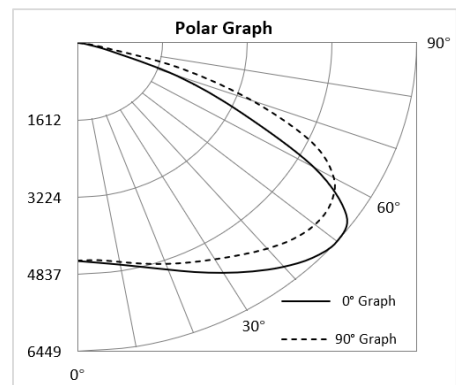
Luminaire Data

Description	Multi Purpose Area Light CCT and Lumen Select
Total Lumens	25,747
Input Wattage	147
Efficacy (lm/W)	175
Max. Cd.	6665.4 (315H, 52V)
IES Classification	Type VS
Longitudinal Classification	Very Short

Photometrics calculated at 4000k and highest lumen setting.

Luminaire Classification Systems (LCS)

LCS Zone	Lumens	%Lum
FL	0-30	2,147 8.3%
FM	30-60	7,080 27.5%
FH	60-80	3,591 13.9%
FVH	80-90	144 0.6%
BL	0-30	2,085 8.1%
BM	30-60	6,766 26.3%
BH	60-80	3,727 14.5%
BVH	80-90	207 0.8%
UL	90-100	0 0.0%
UH	100-180	0 0.0%
Total	25,747	100.0%
BUG Rating	B4-U0-G2	



MPALSR-403224L-3CCT-T3-UNC

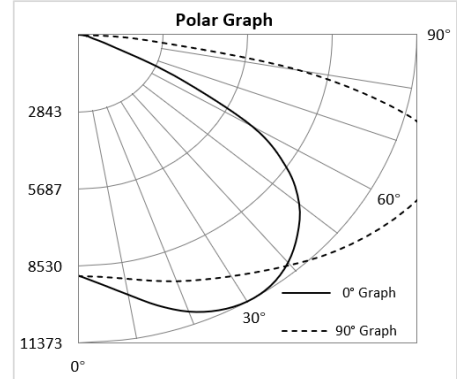
Luminaire Data

Description	Multi Purpose Area Light CCT and Lumen Select
Total Lumens	41,303
Input Wattage	225
Efficacy (lm/W)	184
Max. Cd.	14115 (67.5H, 70V)
IES Classification	Type III
Longitudinal Classification	Medium

Photometrics calculated at 4000k and highest lumen setting.

Luminaire Classification Systems (LCS)

LCS Zone	Lumens	%Lum
FL	0-30	4,389 10.6%
FM	30-60	12,701 30.8%
FH	60-80	7,050 17.1%
FVH	80-90	573 1.4%
BL	0-30	3,590 8.7%
BM	30-60	8,520 20.6%
BH	60-80	4,220 10.2%
BVH	80-90	260 0.6%
UL	90-100	0 0.0%
UH	100-180	0 0.0%
Total	41,303	100.0%
BUG Rating	B5-U0-G4	



MPALSR-403224L-3CCT-T5-UNC

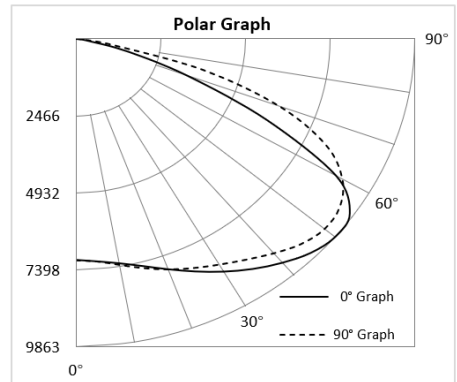
Luminaire Data

Description	Multi Purpose Area Light CCT and Lumen Select
Total Lumens	41,366
Input Wattage	226
Efficacy (lm/W)	183
Max. Cd.	10030 (292.5H, 53V)
IES Classification	Type VS
Longitudinal Classification	Short

Photometrics calculated at 4000k and highest lumen setting.

Luminaire Classification Systems (LCS)

LCS Zone	Lumens	%Lum
FL	0-30	3,342 8.1%
FM	30-60	10,948 26.5%
FH	60-80	6,121 14.8%
FVH	80-90	280 0.7%
BL	0-30	3,264 7.9%
BM	30-60	10,575 25.6%
BH	60-80	6,449 15.6%
BVH	80-90	387 0.9%
UL	90-100	0 0.0%
UH	100-180	0 0.0%
Total	41,366	100.0%
BUG Rating	B5-U0-G3	



Multi-Purpose Area Luminaires Lumen & Kelvin & Distribution Field Selectable



STANDARDS



HOUSING

- Premium powder-coat, die cast aluminum, dark bronze housing.

ELECTRICAL

- Operating temperature (ambient): -40°C to 50°C (-40°F to 122°F).
- Universal 120-277V AC voltage (50-60Hz) is standard.
- 0-10VDC dimming drivers are standard.
- Input transient surge protection = 6kV.
- Incoming AC power cord = 6'. Incoming dimming cord = 6'.
- Watertight, compression-type electrical connectors.
- Power factor > 90.
- Total harmonic distortion < 20%.

OPTICAL SYSTEM

- Polycarbonate lens.
- Field selectable 3000K (warm/neutral white), 4000K (neutral white) and 5000K (cool white) color temperatures*.
- MPALDSR-242115L-3CCT Tri-lumen selectable provide a range of 15,381 to 26,687 nominal lumens*.
- MPALDSR-403530L-3CCT Tri-lumen selectable provide a range of 28,342 to 42,653 nominal lumens*.
- Long-life LEDs provide 167,000 hours of operation with at least 70% of initial lumen output (L70), and 51,000 hours with at least 90% of initial lumen output (L90)**.
- Distribution selectable. Standard optic provides type III / type IV / type V distribution. Easy to configure with switch.
- Sensor-ready receptacle standard.
- Screw in sensor ready. Remote control required for programming (Sensor and remote control sold separately).
- Available factory installed NEMA photocell receptacle for 3-pin NEMA devices.
- LED color maintenance < -0.00495 chromaticity shift ($\Delta u'v'$) over the initial 6,000 hours of operation.
- Color rendering index > 80.

* Default kelvin temperature 4000k, highest lumen output and Type III distribution.
 **L70 & L90 hours are IES TM-21-11 calculated hours.

MOUNTING

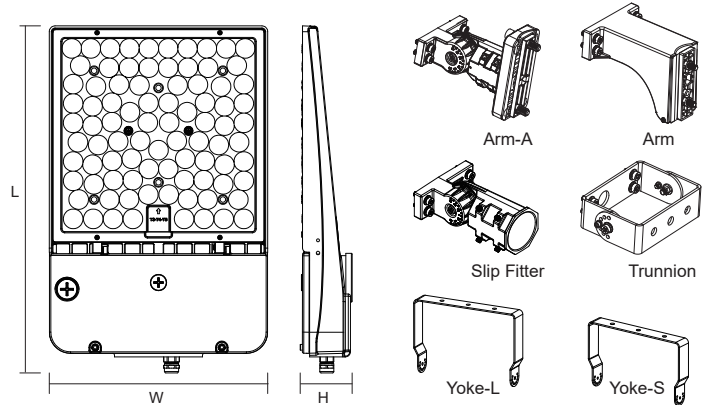
- Optional Arm A Mounting kit (Arm and Slip-fitter combo).
- Optional Arm Mounting kit.
- Optional Slip-fitter Mounting kit.
- Optional Yoke Mounting kit.
- Optional Trunnion Mounting kit.

CODE COMPLIANCE

- cULus listed for wet locations.
- DLC premium listed.
- Complies with FCC part 15, class A.
- IP65 rated for ingress protection.
- IK08 rated for impact protection.

WARRANTY

- 5 year warranty on all electronics and housing.



Model #	L (in)	W (in)	H (in)	Weight (lbs)
MPALDSR-242115L-3CCT	18.52	12.22	2.8	10.48
MPALDSR-403530L-3CCT	21.26	13.68	2.83	12.69

ORDERING INFORMATION

Example: MPALDSR-242115L-3CCT

* Mounting hardware sold separately. One must be ordered. Pole tenons and tenon adapters available. See all mounting accessories on page 2.

Series	Nominal Lumen Output (Selectable)		Kelvin Selectable	Installed Receptacle
MPALDSR	242115L	24,000 / 21,000 / 15,000 Lumens	3CCT 3000K/ 4000K/ 5000K	PR NEMA Photocell Receptacle
	403530L	40,000 / 35,000 / 30,000 Lumens		

ACCESSORIES (ORDER SEPARATELY)

Sensor

- HD09VR-PH5-1 = Passive infrared sensor - maximum mounting height = 39 FT
- HD09VR-MH5-1 = Microwave step-dimming sensor - maximum mounting height = 49 FT
- HD05R = Remote control for HD09VR series Sensors (required to change factory settings)
***HD09VR series has 5-dial setting capability.**

Factory settings or Sensor : detection a ea =100%, hold time = 5 sec, tand-by period = 0 sec, stand-by dimming level = 10%, daylight threshold = disabled

Photocell

- HD07VR-A-1 = 12VDC photocell; RCA jack, factory set to turn on at 10 lux, turns of at 100 lux

Note: Screws into Sensor RCA receptacle that comes standard on the fixtu e.

NEMA Photocell

- JL-205C23-IP65 = 120-277V 3-PIN NEMA Photocell; Rated up to 1800W; Turns on at 6 lux, Turns off at 50 lux

Note: Fixture must be ordered with optional NEMA 3-pin pho ocell receptacle (-PR).

Mounting O tio

- MPALDSR-ARM-A = Adjustable Arm Mount (round and square poles)
- MPALDSR-ARM = Arm Mount (2-3/8" pole or pole tenon, round and square poles)
- MPALDSR-SF = Slip Fitter (2-3/8" pole or pole tenon)
- MPALDSR-YOKE-S = Yoke for MPALDSR-242115L
- MPALDSR-YOKE-L = Yoke for MPALDSR-403530L
- MPALDSR-TM = Trunnion Mount
- LEDMPALPRO-D180BH = Double 180° Bullhorn Mounting Bracket
- LEDMPALPRO-WMB = Wall Mount Bracket
- LEDMPALPRO-WMB90 = 90° Wall Mount Bracket
- 4SQR-SP-D = 4" Round Pole Tenon
- 5SQR-SP-D = 5" Round Pole Tenon
- 4SQ-SP-D = 4" Square Pole Tenon
- 5SQ-SP-D = 5" Sqaure Pole Tenon
- R60-SP2-90-D = 90° Double Tenon Adapter
- R60-SP2-180-D = 180° Double Tenon Adapter
- R60-SP3-90-D = 90° Triple Tenon Adapter
- R60-SP3-120-D = 120° Triple Tenon Adapter
- R60-SP4-90-D = 90° Quadruple Tenon Adapter

COMPATIBLE DIMMERS AND CONTROLS

Manufacturer	Model Number	Dimmer Range	Load Switching Capacity
Americanlite	DWS-010V-T	10%-100%	600W
Americanlite	DWS-010V-D	10%-100%	600W
Leviton	IP710-LFZ	10%-100%	1200W
Lutron	DVSTV	10%-100%	450W

EFFECTIVE PROJECTED AREAS (EPA'S)

Series	ARM MOUNT			ARM A MOUNT			SLIP FITTER MOUNT			TRUNNION MOUNT			YOKE MOUNT		
	Front (ft ²)	Side (ft ²)	Face (ft ²)	Front (ft ²)	Side (ft ²)	Face (ft ²)	Front (ft ²)	Side (ft ²)	Face (ft ²)	Front (ft ²)	Side (ft ²)	Face (ft ²)	Front (ft ²)	Side (ft ²)	Face (ft ²)
MPALDSR-242115L-3CCT	1.78	0.562	0.285	1.82	0.659	0.301	1.81	0.537	0.256	1.75	0.446	0.238	1.95	0.408	0.277
MPALDSR-403530L-3CCT	2.26	0.629	0.314	2.28	0.723	0.33	2.27	0.59	0.285	2.11	0.499	0.266	2.44	0.503	0.33

LUMEN TABLES

Series	Measurements	Low Lumens			Mid Lumens			High Lumens		
		3000K	4000K	5000K	3000K	4000K	5000K	3000K	4000K	5000K
MPALDSR-242115L-3CCT (Set to T3)	Lumens	15,381	16,398	16,338	21,113	22,868	22,615	23,993	25,866	25,124
	Watt	109.96	107.16	109.92	161.95	156.27	162.26	190.42	182.31	189.5
	Efficacy	139.88	153.02	148.64	130.37	146.34	139.38	126.00	141.88	132.58

Series	Measurements	Low Lumens			Mid Lumens			High Lumens		
		3000K	4000K	5000K	3000K	4000K	5000K	3000K	4000K	5000K
MPALDSR-242115L-3CCT (Set to T4)	Lumens	15,976	16,767	16,793	22,052	23,466	23,264	25,016	26,686	26,378
	Watt	107.35	105.1	107.26	156.47	152.33	156.16	182.33	176.91	182.22
	Efficacy	148.82	159.53	156.56	140.93	154.05	148.98	137.20	150.85	144.76

Series	Measurements	Low Lumens			Mid Lumens			High Lumens		
		3000K	4000K	5000K	3000K	4000K	5000K	3000K	4000K	5000K
MPALDSR-242115L-3CCT (Set to T5)	Lumens	15,597	16,503	16,379	21,249	22,836	22,202	23,726	25,760	25,028
	Watt	110.32	107.19	109.95	162.08	156.31	161.84	189.35	181.92	189.3
	Efficacy	141.38	153.96	148.97	131.10	146.09	137.18	125.30	141.60	132.21

Series	Measurements	Low Lumens			Mid Lumens			High Lumens		
		3000K	4000K	5000K	3000K	4000K	5000K	3000K	4000K	5000K
MPALDSR-403530L-3CCT (Set to T3)	Lumens	28,358	30,523	30,063	33,217	35,499	34,522	37,668	40,931	39,524
	Watt	208.54	202.04	208.46	252.55	242.79	251.34	306.36	293.29	305.15
	Efficacy	135.98	151.07	144.21	131.53	146.21	137.35	122.95	139.56	129.52

Series	Measurements	Low Lumens			Mid Lumens			High Lumens		
		3000K	4000K	5000K	3000K	4000K	5000K	3000K	4000K	5000K
MPALDSR-403530L-3CCT (Set to T4)	Lumens	29,808	31,479	31,197	34,596	36,832	36,243	39,855	42,651	41,598
	Watt	202.7	197.61	202.17	243.2	236.45	242.7	294.12	284.53	293.19
	Efficacy	147.05	159.30	154.31	142.25	155.77	149.33	135.51	149.90	141.88

Series	Measurements	Low Lumens			Mid Lumens			High Lumens		
		3000K	4000K	5000K	3000K	4000K	5000K	3000K	4000K	5000K
MPALDSR-403530L-3CCT (Set to T5)	Lumens	28,557	30,596	30,044	32,892	35,509	34,603	37,520	40,893	39,484
	Watt	208.91	202.23	208.44	251.59	242.53	250.85	305.66	293.1	304.86
	Efficacy	136.70	151.29	144.14	130.74	146.41	137.94	122.75	139.52	129.52

ELECTRICAL DATA

Series	CCT	Input Amps (A)								
		Low Lumens			Mid Lumens			High Lumens		
		120V	240V	277V	120V	240V	277V	120V	240V	277V
MPALDSR-242115L-3CCT (Set to T3)	3000K	0.92	0.46	0.40	1.35	0.67	0.58	1.59	0.79	0.69
	4000K	0.89	0.45	0.39	1.30	0.65	0.56	1.52	0.76	0.66
	5000K	0.92	0.46	0.40	1.35	0.68	0.59	1.58	0.79	0.68

Series	CCT	Input Amps (A)								
		Low Lumens			Mid Lumens			High Lumens		
		120V	240V	277V	120V	240V	277V	120V	240V	277V
MPALDSR-242115L-3CCT (Set to T4)	3000K	0.89	0.45	0.39	1.30	0.65	0.56	1.52	0.76	0.66
	4000K	0.88	0.44	0.38	1.27	0.63	0.55	1.47	0.74	0.64
	5000K	0.89	0.45	0.39	1.30	0.65	0.56	1.52	0.76	0.66

Series	CCT	Input Amps (A)								
		Low Lumens			Mid Lumens			High Lumens		
		120V	240V	277V	120V	240V	277V	120V	240V	277V
MPALDSR-242115L-3CCT (Set to T5)	3000K	0.92	0.46	0.40	1.35	0.68	0.59	1.58	0.79	0.68
	4000K	0.89	0.45	0.39	1.30	0.65	0.56	1.52	0.76	0.66
	5000K	0.92	0.46	0.40	1.35	0.67	0.58	1.58	0.79	0.68

Series	CCT	Input Amps (A)								
		Low Lumens			Mid Lumens			High Lumens		
		120V	240V	277V	120V	240V	277V	120V	240V	277V
MPALDSR-403530L-3CCT (Set to T3)	3000K	1.74	0.87	0.75	2.10	1.05	0.91	2.55	1.28	1.11
	4000K	1.68	0.84	0.73	2.02	1.01	0.88	2.44	1.22	1.06
	5000K	1.74	0.87	0.75	2.09	1.05	0.91	2.54	1.27	1.10

Series	CCT	Input Amps (A)								
		Low Lumens			Mid Lumens			High Lumens		
		120V	240V	277V	120V	240V	277V	120V	240V	277V
MPALDSR-403530L-3CCT (Set to T4)	3000K	1.69	0.84	0.73	2.03	1.01	0.88	2.45	1.23	1.06
	4000K	1.65	0.82	0.71	1.97	0.99	0.85	2.37	1.19	1.03
	5000K	1.68	0.84	0.73	2.02	2.02	0.88	2.44	1.22	1.06

Series	CCT	Input Amps (A)								
		Low Lumens			Mid Lumens			High Lumens		
		120V	240V	277V	120V	240V	277V	120V	240V	277V
MPALDSR-403530L-3CCT (Set to T5)	3000K	1.74	0.87	0.75	2.10	1.05	0.91	2.55	1.27	1.10
	4000K	1.69	0.84	0.73	2.02	1.01	0.88	2.44	1.22	1.06
	5000K	1.74	0.87	0.75	2.09	1.05	0.91	2.54	1.27	1.10

PHOTOMETRICS

MPALDSR-242115L-3CCT (Set to T3)

Luminaire Data

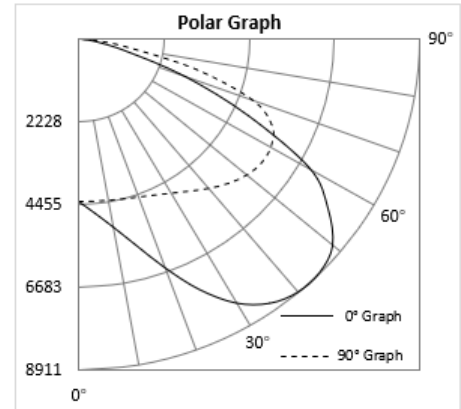
Description	CCT, Lumen, and Dist Selectable Area Light
Total Lumens	25,681
Input Wattage	182
Efficacy (lm/W)	141
Max. Cd.	8929.5 (360H, 42V)
IES Classification	Type III
Longitudinal Classification	Very Short

Photometrics calculated at 4000k CCT and highest power setting.

Luminaire Classification Systems (LCS)

LCS Zone	Lumens	%Lum
FL 0-30	2,432	9.5%
FM 30-60	8,499	33.1%
FH 60-80	3,938	15.3%
FVH 80-90	162	0.6%
BL 0-30	1,646	6.4%
BM 30-60	4,440	17.3%
BH 60-80	4,049	15.8%
BVH 80-90	515	2.0%
UL 90-100	0	0.0%
UH 100-180	0	0.0%
Total	25,681	100.0%

BUG Rating B4-U0-G4



MPALDSR-242115L-3CCT (Set to T4)

Luminaire Data

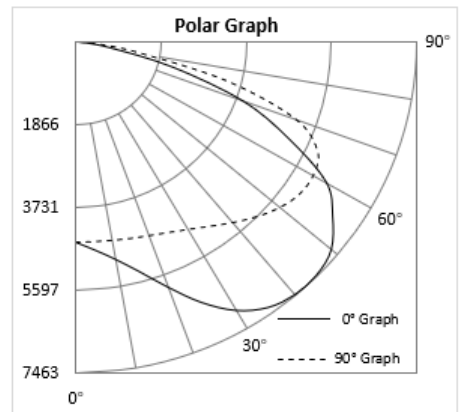
Description	CCT, Lumen, and Dist Selectable Area Light
Total Lumens	26,679
Input Wattage	176
Efficacy (lm/W)	151
Max. Cd.	7473.9 (360H, 42V)
IES Classification	Type IV
Longitudinal Classification	Very Short

Photometrics calculated at 4000k CCT and highest power setting.

Luminaire Classification Systems (LCS)

LCS Zone	Lumens	%Lum
FL 0-30	2,291	8.6%
FM 30-60	7,642	28.6%
FH 60-80	4,287	16.1%
FVH 80-90	208	0.8%
BL 0-30	1,827	6.8%
BM 30-60	5,474	20.5%
BH 60-80	4,498	16.9%
BVH 80-90	452	1.7%
UL 90-100	0	0.0%
UH 100-180	0	0.0%
Total	26,679	100.0%

BUG Rating B4-U0-G4



MPALDSR-242115L-3CCT (Set to T5)

Luminaire Data

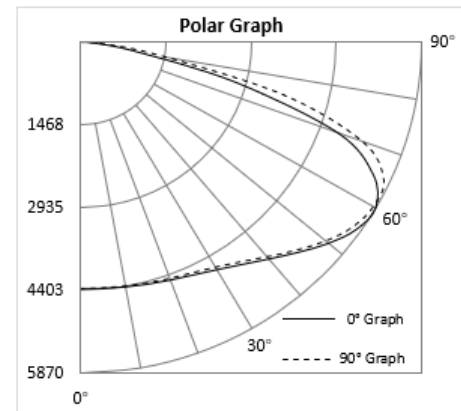
Description	CCT, Lumen, and Dist Selectable Area Light
Total Lumens	25,872
Input Wattage	182
Efficacy (lm/W)	142
Max. Cd.	6052.4 (45H, 62V)
IES Classification	Type VS
Longitudinal Classification	Short

Photometrics calculated at 4000k CCT and highest power setting.

Luminaire Classification Systems (LCS)

LCS Zone	Lumens	%Lum
FL 0-30	1,902	7.4%
FM 30-60	6,142	23.7%
FH 60-80	4,524	17.5%
FVH 80-90	238	0.9%
BL 0-30	1,879	7.3%
BM 30-60	6,006	23.2%
BH 60-80	4,843	18.7%
BVH 80-90	338	1.3%
UL 90-100	0	0.0%
UH 100-180	0	0.0%
Total	25,872	100.0%

BUG Rating B4-U0-G3



MPALDSR-403530L-3CCT (Set to T3)

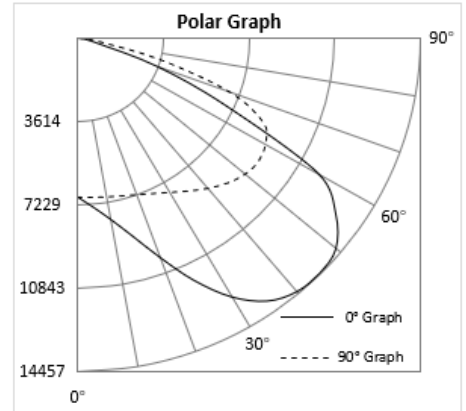
Luminaire Data

Description	CCT, Lumen, and Dist Selectable Area Light
Total Lumens	40,722
Input Wattage	290
Efficacy (lm/W)	140
Max. Cd.	14465 (360H, 44V)
IES Classification	Type III
Longitudinal Classification	Very Short

Photometrics calculated at 4000k CCT and highest power setting.

Luminaire Classification Systems (LCS)

LCS Zone	Lumens	%Lum
FL 0-30	3,792	9.3%
FM 30-60	13,708	33.7%
FH 60-80	6,459	15.9%
FVH 80-90	247	0.6%
BL 0-30	2,598	6.4%
BM 30-60	6,973	17.1%
BH 60-80	6,272	15.4%
BVH 80-90	672	1.7%
UL 90-100	0	0.0%
UH 100-180	0	0.0%
Total	40,722	100.0%
BUG Rating	B5-U0-G5	



MPALDSR-403530L-3CCT (Set to T4)

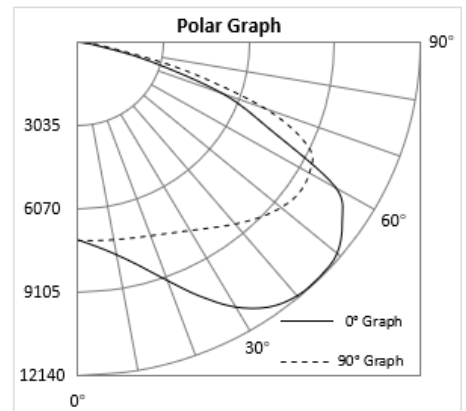
Luminaire Data

Description	CCT, Lumen, and Dist Selectable Area Light
Total Lumens	42,479
Input Wattage	282
Efficacy (lm/W)	151
Max. Cd.	12150 (360H, 43V)
IES Classification	Type IV
Longitudinal Classification	Very Short

Photometrics calculated at 4000k CCT and highest power setting.

Luminaire Classification Systems (LCS)

LCS Zone	Lumens	%Lum
FL 0-30	3,613	8.5%
FM 30-60	12,336	29.0%
FH 60-80	7,002	16.5%
FVH 80-90	315	0.7%
BL 0-30	2,909	6.8%
BM 30-60	8,725	20.5%
BH 60-80	6,987	16.4%
BVH 80-90	591	1.4%
UL 90-100	0	0.0%
UH 100-180	0	0.0%
Total	42,479	100.0%
BUG Rating	B5-U0-G5	



MPALDSR-403530L-3CCT (Set to T5)

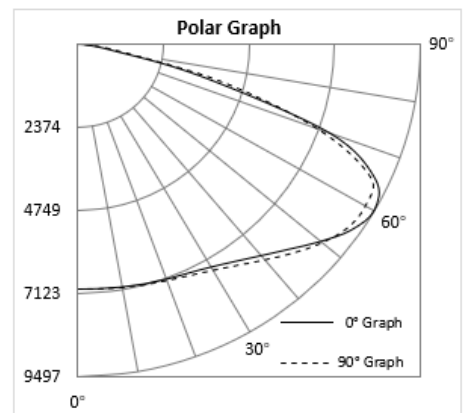
Luminaire Data

Description	CCT, Lumen, and Dist Selectable Area Light
Total Lumens	41,022
Input Wattage	290
Efficacy (lm/W)	142
Max. Cd.	9674.1 (22.5H, 61V)
IES Classification	Type VS
Longitudinal Classification	Very Short

Photometrics calculated at 4000k CCT and highest power setting.

Luminaire Classification Systems (LCS)

LCS Zone	Lumens	%Lum
FL 0-30	3,027	7.4%
FM 30-60	9,746	23.8%
FH 60-80	7,354	17.9%
FVH 80-90	360	0.9%
BL 0-30	3,008	7.3%
BM 30-60	9,607	23.4%
BH 60-80	7,498	18.3%
BVH 80-90	421	1.0%
UL 90-100	0	0.0%
UH 100-180	0	0.0%
Total	41,022	100.0%
BUG Rating	B5-U0-G3	



Multi-Purpose Area Luminaires Kelvin Field Selectable



STANDARD



FEATURES

- Field selectable 3500k (warm/neutral white), 4000k (neutral white) and 5000k (cool white) color temperatures.*
- Long-life LEDs provide up to 149,000 hours of operation with at least 70% of initial lumen output (L₇₀).**
- Available models provide from 2,000 to 7,200 lumens, and from 125 to 156 lumens per watt (LPW).*
- Standard optic provides an IES roadway type V distribution, or a 7V (vertical) x 7H (horizontal) NEMA floodlight distribution.
- Universal 120-277 AC voltage (50-60Hz) is standard.
- Power factor > 90.
- Total harmonic distortion < 20%.
- Color rendering index > 80.
- Die cast aluminum housing with durable, dark bronze powder coat finish.
- Polycarbonate lens.
- Wireway enclosure is sealed with a water-tight, silicon rubber gasket.
- Easy installation in new construction or retrofit applications.

* Contact factory for other color temperatures and lumen packages.
 ** L70 hours are IES TM-21-11 calculated hours.

WARRANTY & LISTINGS

- cULus listed for wet locations in ambient temperatures from -40°C to 50°C (-40°F to 122°F).
- IP65 rated for ingress protection.
- DLC premium approved.
- Lens is IK 10 rated for protection from external impacts.
- Salt fog tested for 1,000 hours (ASTM B117). After salt fog testing, paint rated at 7 per ASTM D1654-05 scratch test.
- Complies with FCC Part 15, class A.
- Complies with EN61000-4-5, surge immunity protection (4kV).
- 5-year warranty of all electronics and housing.

MOUNTING OPTIONS & ACCESSORIES

- Standard aluminum die-cast knuckle-mount for junction box installation.
- Yoke-mount option provides secure attachment to flat surfaces, 4L & 7L only, sold separately.
- Line voltage ground stake allows for easy installation for landscape illumination, sold separately.

ORDERING INFORMATION

Example: MPAL-4L-LKFS

Series	Nominal Lumen Output		Color Temperature		Mounting Accessories (Order Separately)	
	2L	4L	KFS*	3500k	MPAL-KFS-YKL	Yoke mount, 4L & 7L
MPAL	2L	2000 lumens	KFS*	3500k	MPOST17	Line voltage ground stake
	4L	4000 lumens		4000k		
	7L	7000 lumens		5000k		

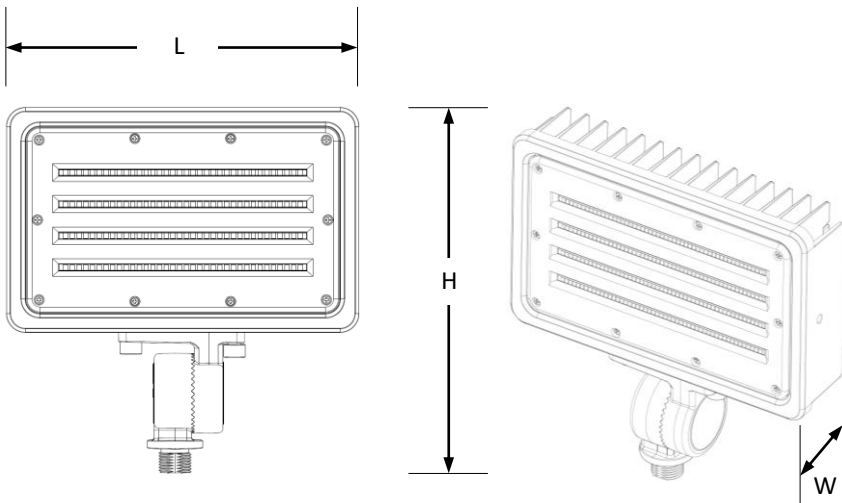
Note: The beam angles are measured as the following:
 2L - 117° Horizontal x 64° Vertical
 4L - 110° Horizontal x 114° Vertical
 7L - 98° Horizontal x 110° Vertical

* Field selectable kelvin temperatures.

ELECTRICAL DATA

Series	Measurements	MPAL-2L			MPAL-4L			MPAL-7L		
		3500K	4000K	5000K	3500K	4000K	5000K	3500K	4000K	5000K
MPAL-KFS	Lumens	2002	2179	2085	4436	4696	4526	6601	7170	6884
	Watts	16	15	16	31	30	31	52	49	51
	Efficacy	125	145	132	142	156	145	126	147	134
	Input Current (A)	120V = 0.13A	120V = 0.13A	120V = 0.13A	120V = 0.26A	120V = 0.25A	120V = 0.26A	120V = 0.43A	120V = 0.41A	120V = 0.43A
240V = 0.07A		240V = 0.06A	240V = 0.07A	240V = 0.13A	240V = 0.13A	240V = 0.13A	240V = 0.22A	240V = 0.20A	240V = 0.21A	
277V = 0.06A		277V = 0.05A	277V = 0.06A	277V = 0.11A	277V = 0.11A	277V = 0.11A	277V = 0.19A	277V = 0.18A	277V = 0.18A	

DIMENSIONS



EFFECTIVE PROJECTED AREAS (EPA's)

2L

Front = 0.17 s.f.

Side = 0.07 s.f.

Face = 0.05 s.f.

4L & 7L

Front = 0.54 s.f. (knuckle) / 0.44 s.f. (yoke)

Side = 0.12 s.f. (knuckle) / 0.09 s.f. (yoke)

Face = 0.11 s.f. (knuckle) / 0.12 s.f. (yoke)

Model	Length (L)	Width (W)	Depth (H)	Weight
2L	4.3"	1.7"	5.8"	3 lbs.
4L	8.7"	1.9"	9"	8 lbs.
7L	8.7"	1.9"	9"	8 lbs.

PHOTOMETRIC DATA

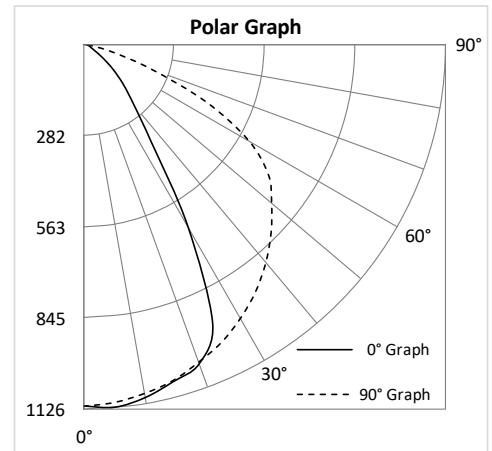
MPAL-2L-KFS

Luminaire Data

Description	Multi Purpose Area Light 2L - KFS
Total Lumens	2,002
Input Wattage	16
Efficacy (lm/W)	126
Max. Cd.	1131.47 (337.5H, 6V)
IES Classification	Type I
Longitudinal Classification	Very Short

Luminaire Classification Systems (LCS)

LCS Zone	Lumens	%Lum	
FL	0-30	438	21.9%
FM	30-60	488	24.4%
FH	60-80	74	3.7%
FVH	80-90	3	0.2%
BL	0-30	434	21.7%
BM	30-60	491	24.5%
BH	60-80	71	3.6%
BVH	80-90	3	0.1%
UL	90-100	0	0.0%
UH	100-180	0	0.0%
Total		2,002	100.0%
BUG Rating		B1-U0-G0	



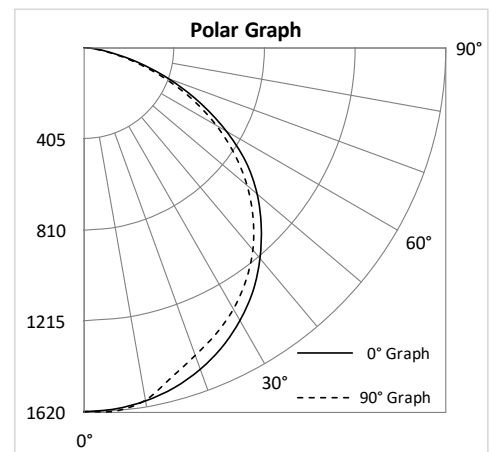
MPAL-4L-KFS

Luminaire Data

Description	Multi Purpose Area Light 4L - KFS
Total Lumens	4,436
Input Wattage	31
Efficacy (lm/W)	142
Max. Cd.	1625.57 (112.5H, 5V)
IES Classification	Type VS
Longitudinal Classification	Very Short

Luminaire Classification Systems (LCS)

LCS Zone	Lumens	%Lum	
FL	0-30	625	14.1%
FM	30-60	1,190	26.8%
FH	60-80	372	8.4%
FVH	80-90	16	0.4%
BL	0-30	629	14.2%
BM	30-60	1,205	27.2%
BH	60-80	383	8.6%
BVH	80-90	16	0.4%
UL	90-100	0	0.0%
UH	100-180	0	0.0%
Total		4,436	99.9%
BUG Rating		B2-U0-G1	



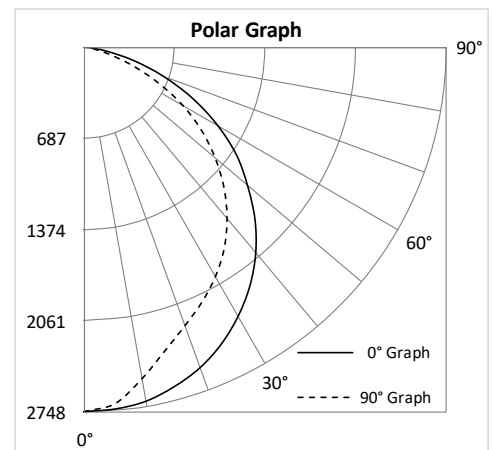
MPAL-7L-KFS

Luminaire Data

Description	Multi Purpose Area Light 7L - KFS
Total Lumens	6,601
Input Wattage	52
Efficacy (lm/W)	126
Max. Cd.	2750.84 (157.5H, 1V)
IES Classification	Type VS
Longitudinal Classification	Very Short

Luminaire Classification Systems (LCS)

LCS Zone	Lumens	%Lum	
FL	0-30	989	15.0%
FM	30-60	1,783	27.0%
FH	60-80	519	7.9%
FVH	80-90	21	0.3%
BL	0-30	987	15.0%
BM	30-60	1,774	26.9%
BH	60-80	510	7.7%
BVH	80-90	19	0.3%
UL	90-100	0	0.0%
UH	100-180	0	0.0%
Total		6,601	100.0%
BUG Rating		B2-U0-G1	



LED Dusk-to-Dawn

STANDARD



FEATURES

- Available in 5000k (cool white) color temperature.*
- Long-life LEDs provide 163,000 hours of operation with at least 70% of initial lumen output (L₇₀), and 50,000 hours with at least 90% of initial lumen output (L₉₀).**
- LED chromaticity based on ≤ 5-step ANSI quadrangles.
- LED color maintenance ≤ 0.003 chromaticity shift ($\Delta u'v'$) over the initial 6,000 hours of operation.
- Provides 4,900 nominal lumens and draws 37 nominal watts (133 lumens per watt).*
- Universal 120-277 AC voltage (50-60Hz).
- Power factor ≥ 0.90.
- Total harmonic distortion ≤ 20%.
- Color rendering index (R_a) ≥ 80.
- NEMA photocell receptacle & photocell are standard.
- Die cast aluminum housing with gray powder coat finish.
- Polycarbonate lens.
- Easy installation in new construction or retrofit.

WARRANTY & LISTINGS

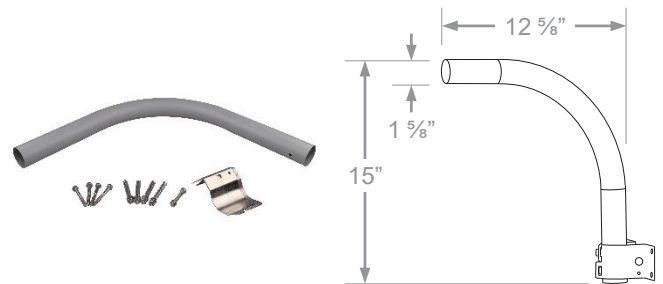
- cULus listed for wet locations in ambient temperatures from -40°C to 45°C (-40°F to 113°F).
- Complies with IEC61000-4-5, input transient surge protection (4kV).
- Complies with FCC Part 15, class A.
- IP65 rated for ingress protection.
- 5-year warranty of all electronics and housing.

* Contact factory for other color temperatures and lumen packages.
 ** L₇₀ hours are IES TM-21-11 calculated hours.

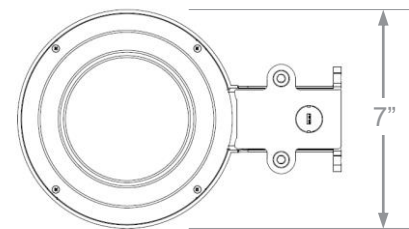
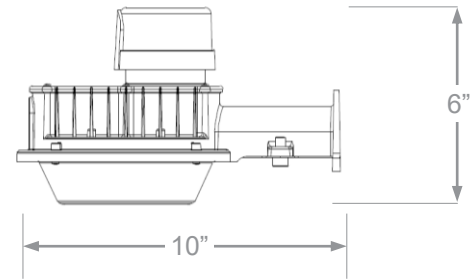


MOUNTING ARM (OPTIONAL)

- Optional powder-coated steel mounting arm attaches to poles or walls. Mounting bracket included.



DIMENSIONS



Weight: 3 lbs.

ORDERING INFORMATION

Example: DDAL-5L-5K-PC

Series	Nominal Lumen Output		Color Temperature		Photocell	Accessories (Order Separately)	
	5L	5,000	5K	5000k		LED-DDALSN-ARM	Mounting arm with bracket
DDAL	5L	5,000	5K	5000k	PC	LED-DDALSN-ARM	Mounting arm with bracket

Bullet Flood Light High Lumen

STANDARDS



HOUSING

- Premium powder-coat, aluminum, bronze housing.

ELECTRICAL

- Operating temperature (ambient): -40°C to 40°C (-40°F to 104°F).
- Universal 120-277V AC voltage (50-60Hz) is standard.
- 0-10VDC dimming drivers is standard.
- Input transient surge protection = 4kV.
- Power factor > 0.90.
- Total Harmonic distortion < 20%.

OPTICAL SYSTEM

- Glass lens.
- 5000K (cool white) color temperatures.
- 9,000 nominal lumens, 82W.
- Long-life LEDs provide 83,000 hours of operation with at least 70% of initial lumen output (L70), and 22,000 hours with at least 90% of initial lumen output (L90)**.
- Beam angle 2H2V distribution.
- LED color maintenance < 0.0007 chromaticity shift ($\Delta u'v'$) over the initial 6,000 hours of operation.
- Color rendering index > 70.



MOUNTING

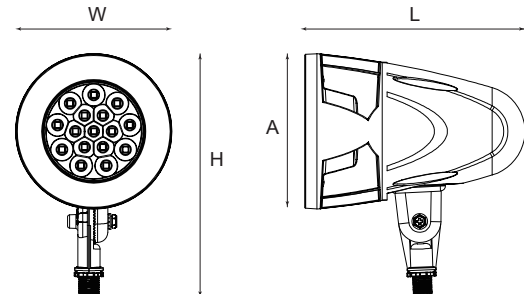
- Knuckle mount kit is standard (Fit 1/2" NPT).
- Optional Line Voltage Ground Stake (sold separately).
- Easy installation in new construction or retrofit.

CODE COMPLIANCE

- cULus listed for wet locations.
- Complies with FCC part 15, class A.
- IP66 rated for ingress protection.

WARRANTY

- 5 year warranty on all electronics and housing.



Model #	L (in)	W (in)	A (in)	H (in)	Weight (lbs)
BFHL-9L-5K	8.5	6	6	9.3	5.1

*L70 & L90 hours are IES TM-21-11 calculated hours.

"A" = Fixture head with glare-hood;
"H" = Maximum overall height; +/- adjustment 180°.

ORDERING INFORMATION

Example: BFHL-9L-5K

Series	Nominal Lumen Output		Kelvin
BFHL	9L	9,000 lm	5000K

ACCESSORIES (ORDER SEPARATELY)

Mounting

- CM-R = Round canopy mounting plate, suitable to mount 1/2" swivel arm and use with standard 4" round junction box.
- MPOST17 = Line Voltage Ground Stake.

LUMEN TABLES

Model	Measurements	Lumens
		5000K
BFHL-9L-5K	Lumens	9,096
	Watt	82.28
	Efficacy	110.55

ELECTRICAL DATA

Model	CCT	Input Amps (A)		
		120V	240V	277V
BFHL-9L-5K	5000K	0.69	0.34	0.30

PHOTOMETRICS

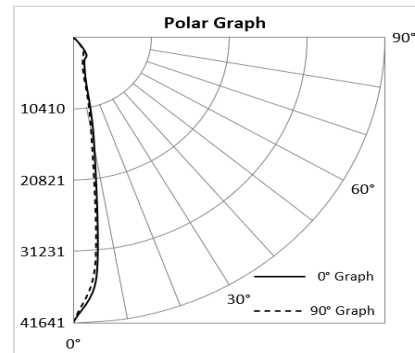
BFHL-9L-5K

Luminaire Data

Description	Flood Light 9,000lm, 5000k
Total Lumens	9,096
Input Wattage	82
Efficacy (lm/W)	111
Max. Cd.	42129 (337.5H, 1V)
IES Classification	Type I
Longitudinal Classification	Very Short

Luminaire Classification Systems (LCS)

LCS Zone		Lumens	%Lum
FL	0-30	3,161	34.7%
FM	30-60	1,329	14.6%
FH	60-80	22	0.2%
FVH	80-90	2	0.0%
BL	0-30	3,226	35.5%
BM	30-60	1,334	14.7%
BH	60-80	21	0.2%
BVH	80-90	2	0.0%
UL	90-100	0	0.0%
UH	100-180	0	0.0%
Total		9,096	100.0%
BUG Rating		B4-U0-G0	



COMPATIBLE DIMMERS AND CONTROLS

Manufacturer	Model Number	Dimmer Range	Load Switching Capacity
Americanlite	DWS-010V-T	10%-100%	600W
Americanlite	DWS-010V-D	10%-100%	600W
Leviton	IP710-LFZ	10%-100%	1200W
Lutron	DVSTV	10%-100%	450W

Bullet Flood Light Lumen & Kelvin Selectabl

STANDARDS



HOUSING

- Premium powder-coat, aluminum, dark bronze housing.

ELECTRICAL

- Operating temperature (ambient): -40°C to 45°C (-40°F to 113°F).
- Universal 120-277V AC voltage (50-60Hz) is standard.
- Built in photocell.
- 0-10VDC dimming drivers is standard.
- Input transient surge protection = 4kV.
- Power factor > 0.90.
- Total Harmonic distortion < 20%.

OPTICAL SYSTEM

- Polycarbonate frosted lens.
- Field selectable 3000k(warm white), 4000k (neutral white) and 5000k (cool white) color temperatures*.
- Tri-lumen selectable delivers 3,000 to 4,500 nominal lumens*.
- Long-life LEDs provide 151,000 hours of operation with at least 70% of initial lumen output (L70), and 45,000 hours with at least 90% of initial lumen output (L90)**.
- Beam angle 2H2V distribution.
- LED color maintenance < -0.00156 chromaticity shift ($\Delta u'v'$) over the initial 6,000 hours of operation.
- Color rendering index > 70.

* Default 4000k color temperature and highest lumen output.

**L70 & L90 hours are IES TM-21-11 calculated hours.



MOUNTING

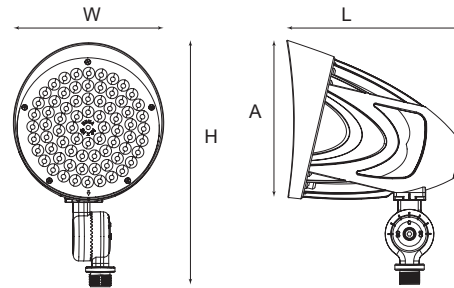
- Knuckle mount kit is standard (Fit 1/2" NPT).
- Optional Line Voltage Ground Stake
- Optional round canopy mount for surface mount. compatible with 4-inch standard junction box.
- Easy installation in new construction or retrofit.

CODE COMPLIANCE

- cULus listed for wet locations.
- DLC premium listed.
- Complies with FCC part 15, class A.
- IP65 rated for ingress protection.

WARRANTY

- 5 year warranty on all electronics and housing.



Model #	L (in)	W (in)	A (in)	H (in)	Weight (lbs)
BF-453730L-3CCT	6.42	5.51	5.79	8.9	2.41

ORDERING INFORMATION

Example: BF-453730L-3CCT

Series	Nominal Lumen Output (Selectable)		Kelvin Selectable
BF	453730L	4,500 / 3,700 / 3,000 lm	3CCT 3K / 4K / 5K

ACCESSORIES (ORDER SEPARATELY)

Mounting

CM-R = Round canopy mounting plate, suitable to mount 1/2" swivel arm and use with standard 4" round junction box.

MPOST17 = Line Voltage Ground Stake.

LUMEN TABLES

Series	Measurements	Low Lumens			Mid Lumens			High Lumens		
		3000K	4000K	5000K	3000K	4000K	5000K	3000K	4000K	5000K
BF-453730L-3CCT	Lumens	2,999	3,187	3,120	3,707	4,008	4,077	4,564	5,064	4,766
	Watt	20.39	19.76	20.39	26.46	25.42	26.52	35.1	33.28	34.86
	Efficac	147	161	153	140	158	154	130	152	137

ELECTRICAL DATA

Series	CCT	Input Amps (A)								
		Low Lumens			Mid Lumens			High Lumens		
		120V	240V	277V	120V	240V	277V	120V	240V	277V
BF-453730L-3CCT	3000k	0.17	0.08	0.07	0.22	0.11	0.10	0.29	0.15	0.13
	4000k	0.16	0.08	0.07	0.21	0.11	0.09	0.28	0.14	0.12
	5000k	0.17	0.08	0.07	0.22	0.11	0.10	0.29	0.15	0.13

PHOTOMETRICS

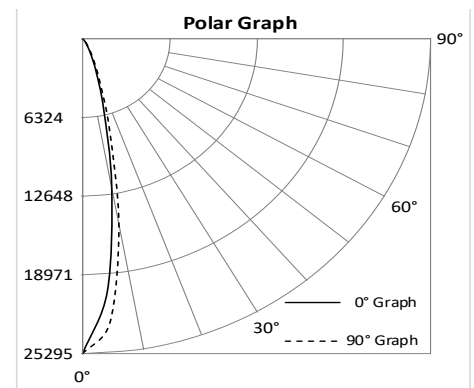
BF-453730L-3CCT

Luminaire Data

Description	Flood Light Lumen/Kelvin Selectable
Total Lumens	4,436
Input Wattage	33
Efficacy (lm/W)	133
Max. Cd.	25598 (112.5H, 1V)
IES Classification	N.A.
Longitudinal Classification	N.A.

Luminaire Classification Systems (LCS)

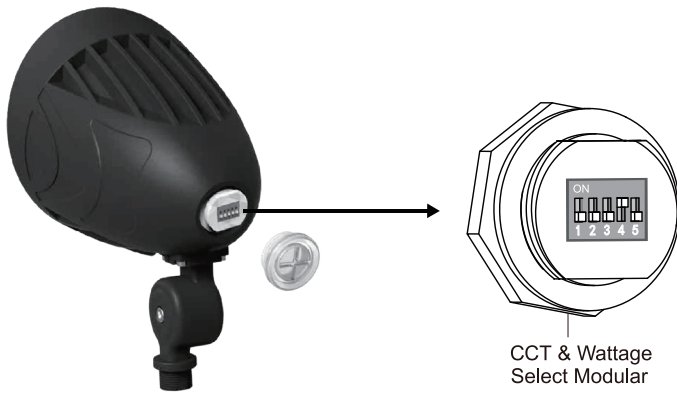
LCS Zone		Lumens	%Lum
FL	0-30	1,870	36.9%
FM	30-60	210	4.1%
FH	60-80	36	0.7%
FVH	80-90	1	0.0%
BL	0-30	1,984	39.2%
BM	30-60	233	4.6%
BH	60-80	85	1.7%
BVH	80-90	8	0.2%
UL	90-100	0	0.0%
UH	100-180	10	0.2%
Total		4,436	87.6%
BUG Rating		B3-U2-G0	



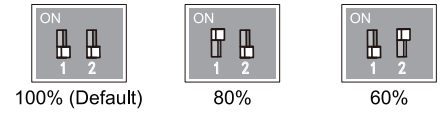
COMPATIBLE DIMMERS AND CONTROLS

Manufacturer	Model Number	Dimmer Range	Load Switching Capacity
Americanlite	DWS-010V-T	10%-100%	600W
Americanlite	DWS-010V-D	10%-100%	600W
Leviton	IP710-LFZ	10%-100%	1200W
Lutron	DVSTV	10%-100%	450W

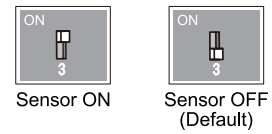
CCT & WATTAGE SETTING



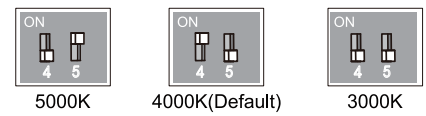
Wattage Select



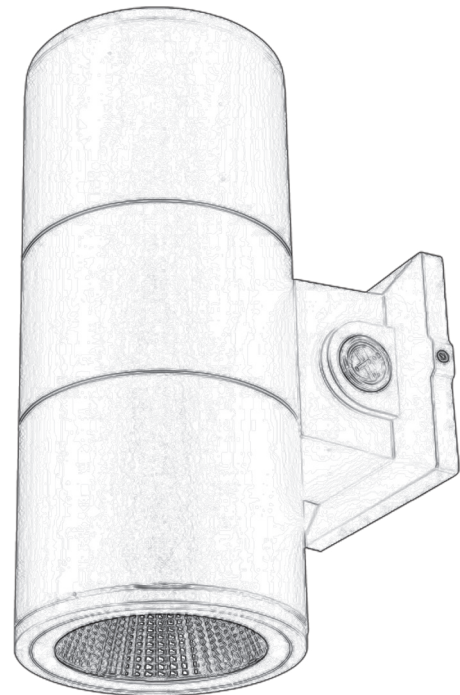
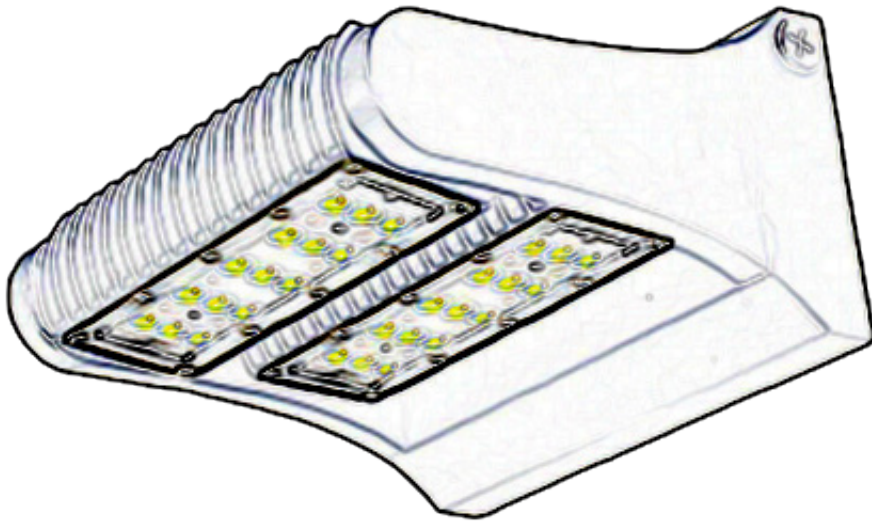
Photocell



CCT Select



Wall Pack & Cylinder



Bulk Head Luminaire Lumen & Kelvin selectable

STANDARDS



HOUSING

- Premium powder-coat, die cast aluminum, Bronze housing.

ELECTRICAL

- Operating temperature (ambient): -40°C to 50°C (-40°F to 122°F).
- Universal 120-277 AC voltage (50-60Hz) is standard.
- 0-10V DC dimming drivers are standard.
- Integrated photocell is standard. Photocell can be enabled or disabled by switch.
- Input transient surge protection = 1kV.
- Power factor > 90.
- Total harmonic distortion < 20%.

OPTICAL SYSTEM

- Frosted polycarbonate lens.
- Field selectable 3000K (warm white), 4000K (neutral white) and 5000K (cool white) color temperatures.*
- Selectable output delivers 2,695 to 3,824 nominal lumens.*
- Long-life LEDs provide 157,000 hours of operation with at least 70% of initial lumen output (L70), and 47,000 hours with at least 90% of initial lumen output (L90).**
- LED color maintenance < 0.0017 chromaticity shift ($\Delta u'v'$) over the initial 6,000 hours of operation.
- Color Rendering Index > 80.

* Default kelvin temperature 4000k and highest lumen output.

** L70 & L90 hours are IES TM-21-11 calculated hours.



MOUNTING

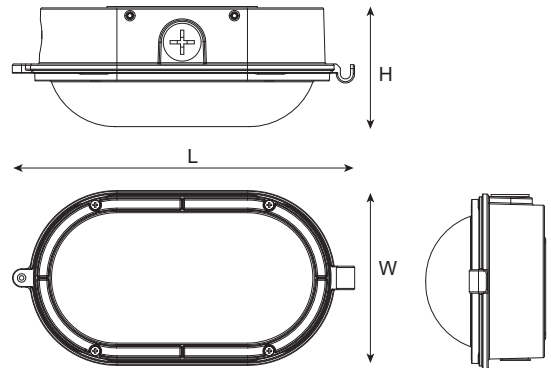
- Surface mounting.

CODE COMPLIANCE

- cULus listed for wet locations.
- Complies with FCC Part 15, class A.
- IP65 rated for ingress protection.
- IK08 rated for impact protection.

WARRANTY

- 5 year warranty on all electronics and housing.



Model #	L (in)	W (in)	H (in)	Weight (lbs)
BH-432L-3CCT	10.31	5.27	3.62	1.67

ORDERING INFORMATION

Example: BH-432L-3CCT

Model	Nominal Lumen Output (selectable)		Kelvin (selectable)	
	BH	432L	4,000/ 3,000/ 2,000 lm	3CCT

ACCESSORIES (ORDER SEPARATELY)

Face Plate

BH-GRID-VERT-FP	=	Cutoff Vertical Grid Faceplate For BH-432L-3CCT
BH-GRID-HOZ-FP	=	Cutoff Horizontal Grid Faceplate For BH-432L-3CCT
BH-GRID-FP	=	Cutoff Grid Faceplate For BH-432L-3CCT

*Faceplates will reduce the lumen output. See factory for more details.

COMPATIBLE DIMMERS AND CONTROLS

Manufacturer	Model Number	Dimmer Range	Load Switching Capacity
Americanlite	DWS-010V-T	10%-100%	600W
Americanlite	DWS-010V-D	10%-100%	600W
Leviton	IP710-LFZ	10%-100%	1200W
Lutron	DVSTV	10%-100%	450W

LUMEN TABLES

Series	Measurements	4L			3L			2L		
		3000K	4000K	5000K	3000K	4000K	5000K	3000K	4000K	5000K
BH-432L-3CCT	Lumens	3,521	3,824	3,808	3,152	3,385	3,412	2,695	2,875	2,919
	Watts	26.81	26.12	26.84	23.61	22.97	23.61	19.78	19.3	19.79
	Efficacy	131.33	146.40	141.88	133.50	147.37	144.52	136.25	148.96	147.50

ELECTRICAL DATA

Series	CCT	Input Amps (A)								
		4L			3L			2L		
		120V	240V	277V	120V	240V	277V	120V	240V	277V
BH-432L-3CCT	3000K	0.22	0.11	0.10	0.20	0.10	0.09	0.16	0.08	0.07
	4000K	0.22	0.11	0.09	0.19	0.10	0.08	0.16	0.08	0.07
	5000K	0.22	0.11	0.10	0.20	0.10	0.09	0.16	0.08	0.07

Decorative Outdoor LED AC/Emergency Unit



STANDARD



OPTIONAL



ILLUMINATION

- Long lasting, efficient, ultra bright white LEDs.
- 12.0 watts (2 LEDs x 6.0 watt) per unit.
- Mirror-bright reflector and prismatic polycarbonate refractor.
- Can be used as a Normally-ON or Normally-OFF luminaire as well as on a switched circuit.
- Output of 1286 lumens in AC mode and 350 lumens in DC mode.

ELECTRICAL

- Universal 120-277 voltage.
- Charge rate/power "ON" LED indicator light and push-to-test switch for mandated code compliance testing.
- 4.8V long life, maintenance-free, rechargeable NiCd battery.
- Internal solid-state transfer switch automatically connects the internal battery to LED board for minimum 90-minute emergency illumination.
- Fully automatic solid-state, two rate charger initiates battery charging to recharge a discharged battery in 24 hours.
- Self-diagnostic feature performs monthly, bi-annual, and annual tests to ensure reliable operation and meets electrical and life safety codes.
- Photocell control sensor included as standard for use as dusk-to-dawn luminaire.
- Field-selectable wiring allows for AC operation of unit to be controlled using a wall-switch, photocell or other switching mechanism.

MOUNTING

- Universal knockout pattern on back plate for wall mount.
- Threaded opening at the top of the enclosure for conduit mount.

HOUSING

- Decorative, low profile, architectural design.
- Die-cast aluminum housing
- Durable powder-coated finishes in white, black, nickel and dark bronze finish.
- Sealed and gasketed.

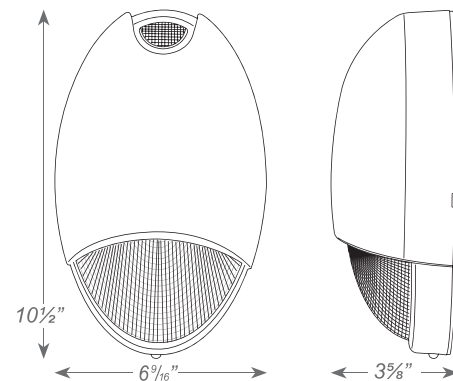
OPTIONS

- CW: Optional internal heater for extreme cold temperature applications (-30°C – 50°C).
- CEC: Certified to CEC under Title 20 Regulations.

WARRANTY / LISTING

- Five year warranty on all electronics and housing. Battery prorated for five years.
- Meets UL924, NFPA 101 Life Safety Code, NEC, OSHA, Local and State Codes.
- UL Listed for wet locations (0°C – 50°C).

DIMENSIONS



ORDERING INFORMATION

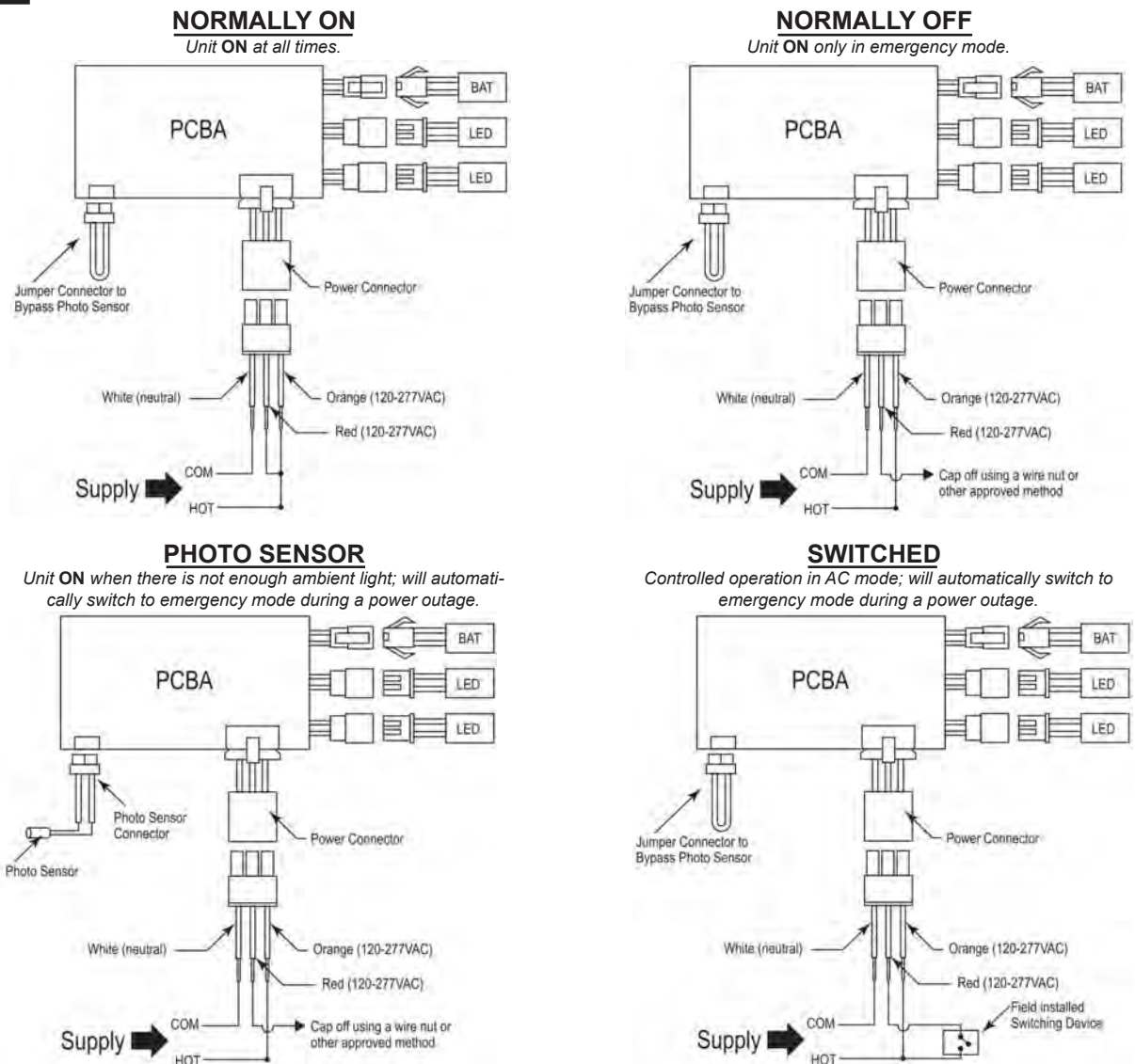
Sample Part Number: DBEL-ACEM-HL-BR-SDT-PC

MODEL	HOUSING COLOR		STANDARD FEATURE		STANDARD FEATURE		OPTIONS	
DBEL-ACEM-HL	W	White	SDT	Self-Diagnostics	PC	Photocell Sensor	CW	Cold Weather
	B	Black					CEC	Certified to TITLE 20
	BR	Dark Bronze						
	N	Nickel						

ELECTRICAL INFORMATION

CATALOG NUMBER	INPUT WATTS (W)	INPUT AMPS (A)
DBEL-ACEM-HL SDT	2.5	0.04
DBEL-ACEM-HL SDT CW	2.8	0.026

WIRING DIAGRAM



UP/DN Cylinder Luminair Lumen & Kelvin Selectable

STANDARDS



HOUSING

- Premium powder-coat, aluminum, dark bronze housing.

ELECTRICAL

- Operating temperature (ambient): -40°C to 45°C (-40°F to 113°F).
- Universal 120-277V AC voltage (50-60Hz) is standard.
- Field selectable output, with 3 levels for each model.
- 0-10VDC dimming drivers are standard.
- Internal switch allows a choice of up only, down only, or both up and down.
- Internal photocell is standard. Photocell can be enabled or disabled by switch.
- Surge protection = 4kV.
- Power factor > 0.90.
- Total Harmonic distortion < 20%.

OPTICAL SYSTEM

- High temperature resistant toughened glass lens.
- Field selectable 3000k(warm white), 4000k (neutral white) and 5000k (cool white) color temperatures*.
- CYL-UPDN-976L-3CCT provides a range of 600 to 900 nominal lumens*.
- CYL-UPDN-201712L-3CCT provides a range of 1,200 to 2,000 nominal lumens*.
- CYL-UPDN-302722L-3CCT provides a range of 2,200 to 3,000 nominal lumens*.
- Long-life LEDs provide 140,000 hours of operation with at least 70% of initial lumen output (L70)**.
- Beam angle 35°.
- LED color maintenance < 0.00342 chromaticity shift ($\Delta u'v'$) over the initial 6,000 hours of operation.
- Color rendering index > 90.

* Default 4000k color temperature and highest lumen output.
**L70 hours are IES TM-21-11 calculated hours.



MOUNTING

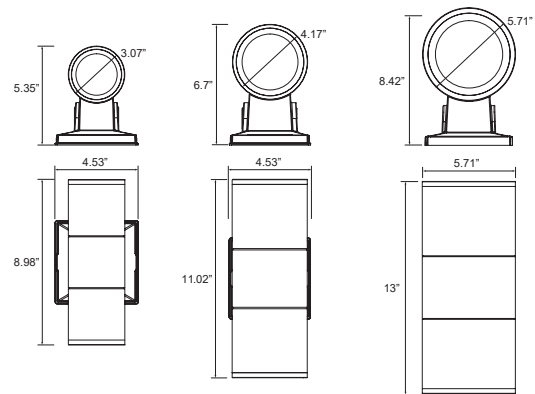
- Wall mount kit
- Easy installation in new construction or retrofit applications.

CODE COMPLIANCE

- cULus listed for wet locations.
- Complies with FCC part 15, class B.
- IP65 rated for ingress protection.

WARRANTY

- 5 year warranty on all electronics and housing.



Model #	L (in)	W (in)	H (in)	Ø(in)	Weight (lbs)
CYL-UPDN-976L-3CCT	4.53	5.35	8.98	3.07	2.65
CYL-UPDN-201712L-3CCT	4.53	6.7	11.02	4.17	4.13
CYL-UPDN-302722L-3CCT	5.71	8.42	13	5.71	6.48

ORDERING INFORMATION

Example: CYL-UPDN-302722L-3CCT

Series	Nominal Lumen Output (Selectable)		Kelvin Selectable
	Model	Output	
CYL-UPDN	976L	900 / 700 / 600	3CCT 3K / 4K / 5K
	201712L	2,000 / 1,700 / 1,200	
	302722L	3,000 / 2,700 / 2,200	

COMPATIBLE DIMMERS AND CONTROLS

Manufacturer	Model Number	Dimmer Range	Load Switching Capacity
Americanlite	DWS-010V-T	10%-100%	600W
Americanlite	DWS-010V-D	10%-100%	600W
Leviton	IP710-LFZ	10%-100%	1200W
Lutron	DVSTV	10%-100%	450W

LUMEN TABLES

Series	Measurements	Low Lumens			Mid Lumens			High Lumens		
		3000K	4000K	5000K	3000K	4000K	5000K	3000K	4000K	5000K
CYL-UPDN-976L-3CCT	Lumens	502	565	590	625	707	735	763	864	894
	Watt	6.07	5.99	6.06	7.62	7.49	7.61	9.37	9.19	9.33
	Efficacy	83	94	97	82	94	97	81	94	96

Series	Measurements	Low Lumens			Mid Lumens			High Lumens		
		3000K	4000K	5000K	3000K	4000K	5000K	3000K	4000K	5000K
CYL-UPDN-201712L-3CCT	Lumens	1115	1225	1277	1487	1662	1716	1739	1959	1999
	Watt	12.31	12.14	12.32	16.82	16.61	16.88	20.07	19.79	20.1
	Efficacy	91	101	104	88	100	102	87	99	99

Series	Measurements	Low Lumens			Mid Lumens			High Lumens		
		3000K	4000K	5000K	3000K	4000K	5000K	3000K	4000K	5000K
CYL-UPDN-302722L-3CCT	Lumens	2004	2162	2237	2443	2660	2716	2663	2912	2979
	Watt	23.65	23.48	23.91	29.88	29.63	30.09	34.66	34.43	34.85
	Efficacy	85	92	94	82	90	90	77	85	85

ELECTRICAL DATA

Series	CCT	Input Amps (A)								
		Low Lumens			Mid Lumens			High Lumens		
		120V	240V	277V	120V	240V	277V	120V	240V	277V
CYL-UPDN-976L-3CCT	3000k	0.05	0.03	0.02	0.06	0.03	0.03	0.08	0.04	0.03
	4000k	0.05	0.02	0.02	0.06	0.03	0.03	0.08	0.04	0.03
	5000k	0.05	0.03	0.02	0.06	0.03	0.03	0.08	0.04	0.03

Series	CCT	Input Amps (A)								
		Low Lumens			Mid Lumens			High Lumens		
		120V	240V	277V	120V	240V	277V	120V	240V	277V
CYL-UPDN-201712L-3CCT	3000k	0.10	0.05	0.04	0.14	0.07	0.06	0.17	0.08	0.07
	4000k	0.10	0.05	0.04	0.14	0.07	0.06	0.16	0.08	0.07
	5000k	0.10	0.05	0.04	0.14	0.07	0.06	0.17	0.08	0.07

Series	CCT	Input Amps (A)								
		Low Lumens			Mid Lumens			High Lumens		
		120V	240V	277V	120V	240V	277V	120V	240V	277V
CYL-UPDN-302722L-3CCT	3000k	0.20	0.10	0.09	0.25	0.12	0.11	0.29	0.14	0.13
	4000k	0.20	0.10	0.08	0.25	0.12	0.11	0.29	0.14	0.12
	5000k	0.20	0.10	0.09	0.25	0.13	0.11	0.29	0.15	0.13

PHOTOMETRICS

CYL-UPDN-976L-3CCT

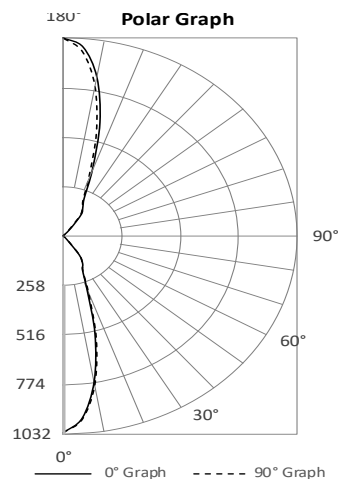
Luminaire Data

Description	Up Down Wall Cylinder Lumen and Kelvin Select
Total Lumens	864
Input Wattage	9
Efficacy (lm/W)	94
Max. Cd.	1034.1 (292.5H, 179V)
IES Classification	N.A.
Longitudinal Classification	N.A.

Photometrics calculated at 4000k and highest lumen setting.

Luminaire Classification Systems (LCS)

LCS Zone	Lumens	%Lum
FL 0-30	166	19.2%
FM 30-60	40	4.7%
FH 60-80	1	0.1%
FVH 80-90	0	0.0%
BL 0-30	177	20.4%
BM 30-60	46	5.3%
BH 60-80	1	0.1%
BVH 80-90	0	0.0%
UL 90-100	0	0.1%
UH 100-180	432	50.1%
Total	864	100.0%
BUG Rating	B1-U3-G0	



CYL-UPDN-201712L-3CCT

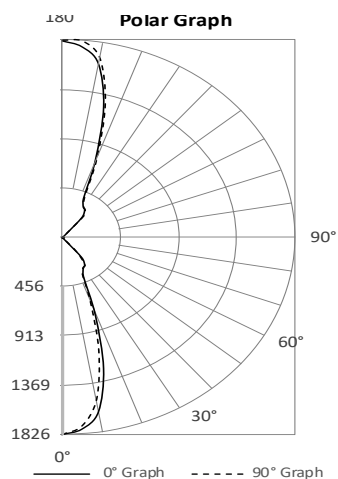
Luminaire Data

Description	Up Down Wall Cylinder Lumen and Kelvin Select
Total Lumens	1,959
Input Wattage	20
Efficacy (lm/W)	99
Max. Cd.	1843.6 (67.5H, 177V)
IES Classification	N.A.
Longitudinal Classification	N.A.

Photometrics calculated at 4000k and highest lumen setting.

Luminaire Classification Systems (LCS)

LCS Zone	Lumens	%Lum
FL 0-30	353	18.0%
FM 30-60	133	6.8%
FH 60-80	13	0.6%
FVH 80-90	6	0.3%
BL 0-30	332	17.0%
BM 30-60	125	6.4%
BH 60-80	12	0.6%
BVH 80-90	6	0.3%
UL 90-100	12	0.6%
UH 100-180	967	49.4%
Total	1,959	100.0%
BUG Rating	B1-U4-G0	



CYL-UPDN-302722L-3CCT

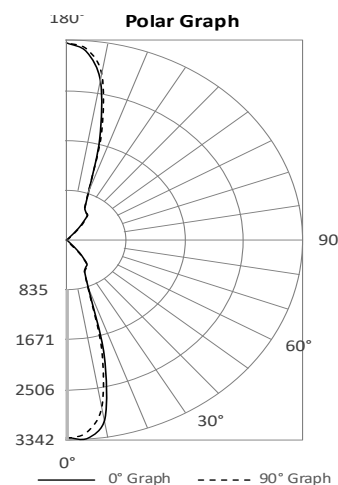
Luminaire Data

Description	Up Down Wall Cylinder Lumen and Kelvin Select
Total Lumens	2,912
Input Wattage	34
Efficacy (lm/W)	85
Max. Cd.	3358.3 (337.5H, 6V)
IES Classification	Type VS
Longitudinal Classification	Very Short

Photometrics calculated at 4000k and highest lumen setting.

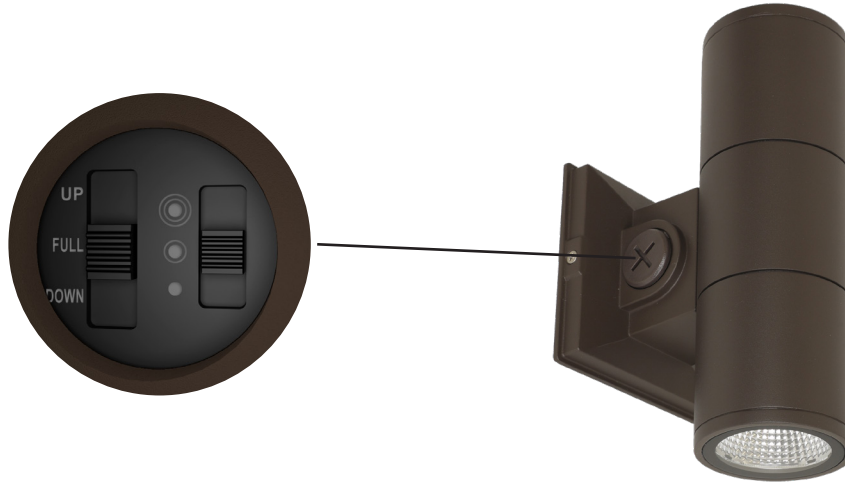
Luminaire Classification Systems (LCS)

LCS Zone	Lumens	%Lum
FL 0-30	553	19.0%
FM 30-60	180	6.2%
FH 60-80	4	0.1%
FVH 80-90	1	0.0%
BL 0-30	536	18.4%
BM 30-60	178	6.1%
BH 60-80	5	0.2%
BVH 80-90	1	0.0%
UL 90-100	1	0.0%
UH 100-180	1,454	49.9%
Total	2,912	100.0%
BUG Rating	B2-U5-G0	



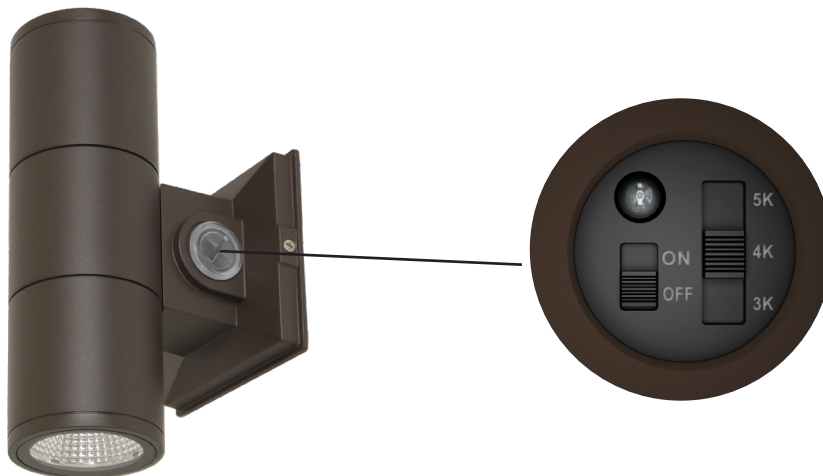
DIP switch for Wattage & Light option

Factory default setting :
Wattage: High Power
Light option: FULL



DIP switch for CCT and Photocell

Factory default setting :
CCT: 4000K
Photocell: OFF



Rotatable Wall Pack Sensor



STANDARDS



HOUSING

- Premium powder-coat, die cast aluminum, Bronze housing.

ELECTRICAL

- Operating temperature (ambient): -40°C to 50°C (-40°F to 122°F).
- Universal 120-277 AC voltage (50-60Hz) is standard.
- 0-10V DC dimming drivers are standard.
- Integrated photocell is standard. Photocell can be enabled or disabled by switch.
- Input transient surge protection = 6kV.
- PF > 0.9; THD < 20%.

OPTICAL SYSTEM

- Polycarbonate lens.
- Field selectable 3000K (warm white), 4000K (neutral white) and 5000K (cool white) color temperatures.*
- Four lumens selectable output delivered from 9,888 to 18,713 nominal lumens.*
- Long-life LEDs provide 159,000 hours of operation with at least 70% of initial lumen output (L70), and 48,000 hours with at least 90% of initial lumen output (L90).**
- Two modules can independently rotate -15° to 210°.
- Sensor-ready receptacle comes standard. Screw-in sensor and remote control sold separately. Remote control required to change factory sensor settings.
- LED chromaticity based on < 6-step ANSI quadrangles.
- LED color maintenance < 0.0008 chromaticity shift ($\Delta u'v'$) over the initial 6,000 hours of operation.
- Color Rendering Index > 80.

* Default kelvin temperature 4000k and highest lumen output.

** L70 & L90 hours are IES TM-21-11 calculated hours.

MOUNTING

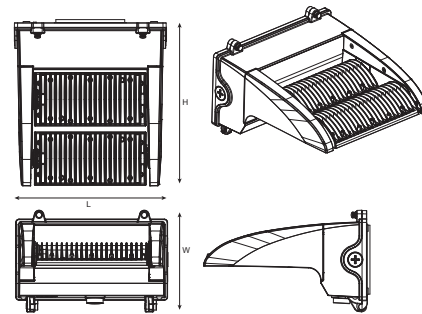
- Wall mounting kit.

CODE COMPLIANCE

- cULus listed for wet locations.
- DLC premium listed
- Complies with FCC Part 15, class A.
- IP65 rated for ingress protection.
- IK08 rated for impact protection.

WARRANTY

- 5 year warranty on all electronics and housing.



Model #	L (in)	W (in)	H (in)	Weight (lbs)
WPRSR-19161310L-3CCT	9.37	6.27	10.15	5.3

ORDERING INFORMATION

Example: WPRSR-19161310L-3CCT

Model	Nominal Lumen Output (selectable)		Kelvin (selectable)	
	WPRSR	19161310L	19,000/ 16,000/ 13,000/ 10,000 lm	3CCT

ACCESSORIES (ORDER SEPARATELY)

Sensor

- HD07VR-PHF-1 = Passive infrared sensor - maximum mounting height = 39 FT
- HD07VR-MHF-1 = Microwave step-dimming sensor - maximum mounting height = 49 FT
- HD05R = Remote control for HD07VR and HD09VR series Sensors (required to change factory settings)

Factory settings for Sensor : detection area =100%, hold time = 5 sec, stand-by period = 0 sec, stand-by dimming level = 10%, daylight threshold = disabled

COMPATIBLE DIMMERS AND CONTROLS

Manufacturer	Model Number	Dimmer Range	Load Switching Capacity
Americanlite	DWS-010V-T	10%-100%	600W
Americanlite	DWS-010V-D	10%-100%	600W
Leviton	IP710-LFZ	10%-100%	1200W
Lutron	DVSTV	10%-100%	450W

LUMEN TABLES

Series	Measurements	19L			16L			13L			10L		
		3000K	4000K	5000K	3000K	4000K	5000K	3000K	4000K	5000K	3000K	4000K	5000K
WPRSR-19161310L-3CCT	Lumens	17,466	18,713	18,210	15,102	16,060	15,796	12,491	13,102	13,080	9,888	10,271	10,354
	Watts	118.49	114.73	118.22	99.2	96.58	99.19	79.31	77.3	79.4	61.18	59.89	61.18
	Efficacy	147.40	163.10	154.03	152.24	166.29	159.25	157.50	169.50	164.74	161.62	171.50	169.24

ELECTRICAL DATA

Series	CCT	Input Amps (A)											
		19L			16L			13L			10L		
		120V	240V	277V	120V	240V	277V	120V	240V	277V	120V	240V	277V
WPRSR-19161310L-3CCT	3000K	0.99	0.49	0.43	0.83	0.41	0.36	0.66	0.33	0.29	0.51	0.25	0.22
	4000K	0.96	0.48	0.41	0.80	0.40	0.35	0.64	0.32	0.28	0.50	0.25	0.22
	5000K	0.99	0.49	0.43	0.83	0.41	0.36	0.66	0.33	0.29	0.51	0.25	0.22

PHOTOMETRICS

WPRSR-19161310L-3CCT

Luminaire Data

Description	Rotatable Wall Pack Lumen and Kelvin Select
Total Lumens	18,713
Input Wattage	115
Efficacy (lm/W)	163
Max. Cd.	7638.6 (112.5H, 25V)
IES Classification	N.A.
Longitudinal Classification	N.A.

Zonal Lumen Summary

Zone	Lumens	%Fixt
0-30°	5,118	27.4%
0-60°	15,143	80.9%
0-80°	18,485	98.8%
80-90°	205	1.1%*
0-90°	18,690	99.9%
90-110°	4	0.0%
110-180°	0	0.0%
0-180°	18,713	100.0%

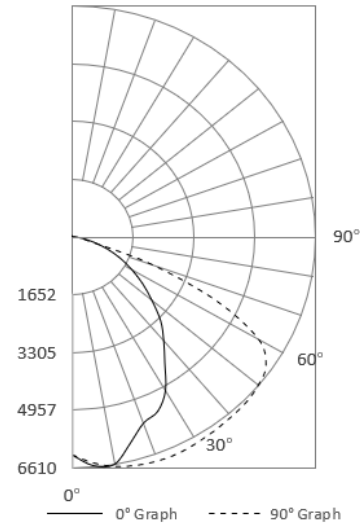
Luminaire Classification Systems (LCS)

LCS Zone	Lumens	%Lum
FL 0-30	2,564	13.7%
FM 30-60	5,027	26.9%
FH 60-80	1,678	9.0%
FVH 80-90	103	0.6%
BL 0-30	2,554	13.6%
BM 30-60	4,998	26.7%
BH 60-80	1,663	8.9%
BVH 80-90	102	0.5%
UL 90-100	2	0.0%
UH 100-180	21	0.1%
Total	18,713	100.0%
BUG Rating	B4-U2-G3	

Photometric calculated at 4000k, highest lumen output, and heads set to 0°.

* 80-90° glare zone is calculated by dividing the lumens in that zone by the lumen total in the 0-90° zone

Polar Graph



Adjustable Wall Pack Sensor Ready

STANDARDS



HOUSING

- Premium powder-coat, die cast aluminum, Bronze housing.

ELECTRICAL

- Operating temperature (ambient): -40°C to 50°C (-40°F to 122°F).
- Universal 120-277 AC voltage (50-60Hz) is standard.
- 0-10V DC dimming drivers are standard.
- Integrated photocell is standard. Photocell can be enabled or disabled by switch.
- Input transient surge protection = 6kV.
- PF > 0.9; THD < 20%.

OPTICAL SYSTEM

- Polycarbonate lens.
- Field selectable 3000K (warm white), 4000K (neutral white) and 5000K (cool white) color temperatures.*
- WPASR-6543L-3CCT provides a range of 2,739 to 6,002 nominal lumens.*
- WPASR-121086L-3CCT provides a range of 6,402 to 11,875 nominal lumens.*
- Long-life LEDs provide 167,000 hours of operation with at least 70% of initial lumen output (L70), and 51,000 hours with at least 90% of initial lumen output (L90).**
- Adjustable housing up to 90°.
- Screw in sensor ready. Occupancy sensor and remote control sold separately. Remote control required to change factory sensor settings.
- LED chromaticity based on < 6-step ANSI quadrangles.
- LED color maintenance < -0.0031 chromaticity shift ($\Delta u'v'$) over the initial 6,000 hours of operation.
- Color Rendering Index > 80.

* Default kelvin temperature 4000k and highest lumen output.

** L70 & L90 hours are IES TM-21-11 calculated hours.



MOUNTING

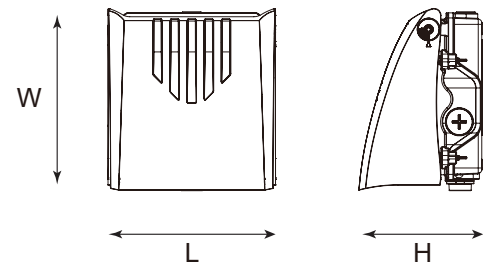
- Wall mounting kit.

CODE COMPLIANCE

- cULus listed for wet locations.
- DLC premium listed
- Complies with FCC Part 15, class A.
- IP65 rated for ingress protection.
- IK08 rated for impact protection.

WARRANTY

- 5 year warranty on all electronics and housing.



Model #	L (in)	W (in)	H (in)	Weight (lbs)
WPASR-6543L-3CCT	7.72	8.37	5.8	3.73
WPASR-121086L-3CCT	7.72	8.37	5.8	3.85

ORDERING INFORMATION

Example: WPASR-6543L-3CCT

Model	Nominal Lumen Output (selectable)		Kelvin (selectable)		Installed Options
WPASR	6543L	6,000/ 5,000/ 4,000/ 3,000 lm	3CCT	3000/ 4000/ 5000K	EM4 4W Emergency Driver
	121086L	12,000/ 10,000/ 8,000/ 6,000 lm			

ACCESSORIES (ORDER SEPARATELY)

Sensor

- HD07VR-PHF-1 = Passive infrared sensor - maximum mounting height = 39 FT
- HD07VR-MHF-1 = Microwave step-dimming sensor - maximum mounting height = 49 FT
- HD05R = Remote control for HD07VR and HD09VR series Sensors (required to change factory settings)

Factory settings or Sensor : detection a ea =100%, hold time = 5 sec, tand-by period = 0 sec, stand-by dimming level = 10%, daylight threshold = disabled

COMPATIBLE DIMMERS AND CONTROLS

Manufacturer	Model Number	Dimmer Range	Load Switching Capacity
Americanlite	DWS-010V-T	10%-100%	600W
Americanlite	DWS-010V-D	10%-100%	600W
Leviton	IP710-LFZ	10%-100%	1200W
Lutron	DVSTV	10%-100%	450W

COMPATIBLE EMERGENCY DRIVERS-INSTALLED*

Emergency Driver Part Number	EM4	
	Watts	EM Lumens
WPASR-6543L-3CCT**	4	609
WPASR-121086L-3CCT	4	609

* EM Lumens based on factory setting of 4000K CCT and highest power setting.

LUMEN TABLES

Series	Measurements	18W			25W			30W			40W		
		3000K	4000K	5000K	3000K	4000K	5000K	3000K	4000K	5000K	3000K	4000K	5000K
WPASR-6543L-3CCT	Lumens	2,739	2,806	2,833	3,769	3,909	3,899	4,629	4,837	4,789	5,683	6,002	5,885
	Watts	18.65	18.3	18.56	25.99	25.38	25.87	32.43	31.44	32.15	40.85	39.45	40.48
	Efficacy	146.86	153.33	152.64	145.02	154.02	150.72	142.74	153.85	148.96	139.12	152.14	145.38

Series	Measurements	40W			50W			60W			80W		
		3000K	4000K	5000K	3000K	4000K	5000K	3000K	4000K	5000K	3000K	4000K	5000K
WPASR-121086L-3CCT	Lumens	6,402	6,693	6,606	7,772	8,213	8,041	9,008	9,589	9,325	10,891	11,875	11,417
	Watts	42.62	41.54	42.29	53.07	51.62	52.63	63.16	61.18	62.58	81.07	77.94	80.17
	Efficacy	150.21	161.12	156.21	146.45	159.10	152.78	142.62	156.73	149.01	134.34	152.36	142.41

ELECTRICAL DATA

Series	CCT	Input Amps (A)											
		18W			25W			30W			40W		
		120V	240V	277V	120V	240V	277V	120V	240V	277V	120V	240V	277V
WPASR-6543L-3CCT	3000K	0.16	0.08	0.07	0.22	0.11	0.09	0.27	0.14	0.12	0.34	0.17	0.15
	4000K	0.15	0.08	0.07	0.21	0.11	0.09	0.26	0.13	0.11	0.33	0.16	0.14
	5000K	0.15	0.08	0.07	0.22	0.11	0.09	0.27	0.13	0.12	0.34	0.17	0.15

Series	CCT	Input Amps (A)											
		40W			50W			60W			80W		
		120V	240V	277V	120V	240V	277V	120V	240V	277V	120V	240V	277V
WPASR-121086L-3CCT	3000K	0.36	0.18	0.15	0.44	0.22	0.19	0.53	0.26	0.23	0.68	0.34	0.29
	4000K	0.35	0.17	0.15	0.43	0.22	0.19	0.51	0.25	0.22	0.65	0.32	0.28
	5000K	0.35	0.18	0.15	0.44	0.22	0.19	0.52	0.26	0.23	0.67	0.33	0.29

PHOTOMETRICS

WPASR-6543L-3CCT

Luminaire Data

Description	Adjustable Wall Pack Field Selectable
Total Lumens	6,002
Input Wattage	39
Efficacy (lm/W)	152
Max. Cd.	2470.8 (360H, 21V)
IES Classification	Type II
Longitudinal Classification	Very Short

Zonal Lumen Summary

Zone	Lumens	%Fixt
0-30°	1,727	28.8%
0-60°	5,076	84.6%
0-80°	5,959	99.3%
80-90°	43	0.7%*
0-90°	6,002	100.0%
90-110°	0	0.0%
110-180°	0	0.0%
0-180°	6,002	100.0%

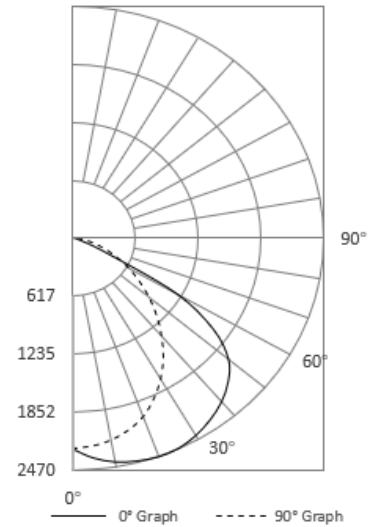
Luminaire Classification Systems (LCS)

LCS Zone	Lumens	%Lum
FL 0-30	968	16.1%
FM 30-60	2,064	34.4%
FH 60-80	537	9.0%
FVH 80-90	9	0.1%
BL 0-30	759	12.6%
BM 30-60	1,285	21.4%
BH 60-80	346	5.8%
BVH 80-90	34	0.6%
UL 90-100	0	0.0%
UH 100-180	0	0.0%
Total	6,002	100.0%
BUG Rating	B2-U0-G1	

Photometrics calculated @4000k, and highest lumen setting

* 80-90° glare zone is calculated by dividing the lumens in that zone by the lumen total in the 0-90° zone

180° Polar Graph



WPASR-121086L-3CCT

Luminaire Data

Description	Adjustable Wall Pack Field Selectable
Total Lumens	11,875
Input Wattage	78
Efficacy (lm/W)	152
Max. Cd.	4830.6 (360H, 20V)
IES Classification	Type III
Longitudinal Classification	Very Short

Zonal Lumen Summary

Zone	Lumens	%Fixt
0-30°	3,360	28.3%
0-60°	9,924	83.6%
0-80°	11,791	99.3%
80-90°	84	0.7%*
0-90°	11,875	100.0%
90-110°	0	0.0%
110-180°	0	0.0%
0-180°	11,875	100.0%

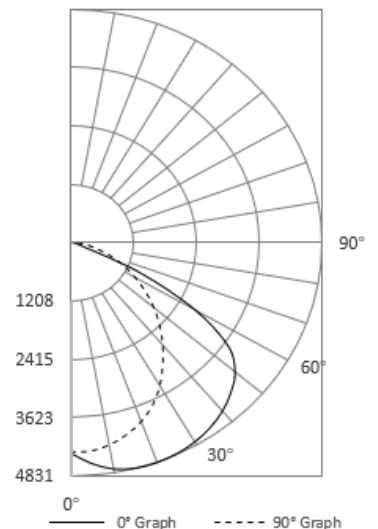
Luminaire Classification Systems (LCS)

LCS Zone	Lumens	%Lum
FL 0-30	1,890	15.9%
FM 30-60	4,136	34.8%
FH 60-80	1,268	10.7%
FVH 80-90	34	0.3%
BL 0-30	1,471	12.4%
BM 30-60	2,427	20.4%
BH 60-80	599	5.0%
BVH 80-90	51	0.4%
UL 90-100	0	0.0%
UH 100-180	0	0.0%
Total	11,875	100.0%
BUG Rating	B3-U0-G2	

Photometric calculated at 4000k, and highest lumen output

* 80-90° glare zone is calculated by dividing the lumens in that zone by the lumen total in the 0-90° zone

180° Polar Graph



Full Cutoff Wall Pack Sensor Ready

STANDARDS



HOUSING

- Premium powder-coat, die cast aluminum, Bronze housing.

ELECTRICAL

- Operating temperature (ambient): -40°C to 50°C (-40°F to 122°F).
- Universal 120-277 AC voltage (50-60Hz) is standard.
- 0-10V DC dimming drivers are standard.
- Integrated photocell is standard. Photocell can be enabled or disabled by switch.
- Input transient surge protection = 6kV.
- PF > 0.9; THD < 20%.

OPTICAL SYSTEM

- Polycarbonate lens.
- Field selectable 3000K (warm white), 4000K (neutral white) and 5000K (cool white) color temperatures.*
- WPFCSR-9865L-3CCT provides a range of 4,815 to 9,010 nominal lumens.*
- WPFCSR-17151310L-3CCT provides a range of 9,337 to 17,186 nominal lumens.*
- Long-life LEDs provide 167,000 hours of operation with at least 70% of initial lumen output (L70), and 51,000 hours with at least 90% of initial lumen output (L90).**
- Screw in sensor ready. Occupancy sensor and remote control sold separately. Remote control required to change factory sensor settings.
- LED chromaticity based on < 6-step ANSI quadrangles.
- LED color maintenance < -0.0034 chromaticity shift ($\Delta u'v'$) over the initial 6,000 hours of operation.
- Color Rendering Index > 80.

* Default kelvin temperature 4000k and highest lumen output.

** L70 & L90 hours are IES TM-21-11 calculated hours.



MOUNTING

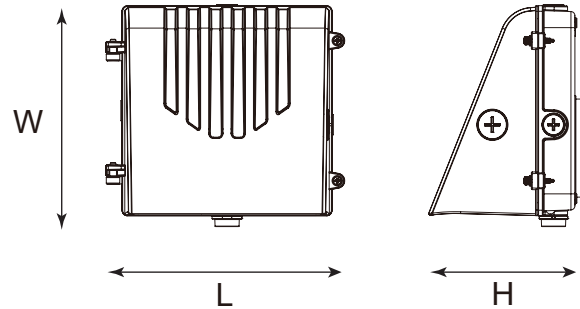
- Wall mounting kit.

CODE COMPLIANCE

- cULus listed for wet locations.
- DLC premium listed
- Complies with FCC Part 15, class A.
- IP65 rated for ingress protection.
- IK08 rated for impact protection.

WARRANTY

- 5 year warranty on all electronics and housing.



Model #	L (in)	W (in)	H (in)	Weight (lbs)
WPFCSR-9865L-3CCT	10.06	8.86	6.25	3.98
WPFCSR-17151310L-3CCT	14.49	9.25	6.44	5.97

ORDERING INFORMATION

Example: WPFCSR-9865L-3CCT

Model	Nominal Lumen Output (selectable)		Kelvin (selectable)		Installed Options
	Model	Output (lm)	Model	Output (K)	
WPFCSR	9865L	9,000/ 8,000/ 6,000/ 5,000 lm	3CCT	3000/ 4000/ 5000K	EM8 8W Emergency Driver
	17151310L	17,000/ 15,000/ 13,000/ 10,000 lm			

ACCESSORIES (ORDER SEPARATELY)

Sensor

- HD07VR-PHF-1 = Passive infrared sensor - maximum mounting height = 39 FT
- HD07VR-MHF-1 = Microwave step-dimming sensor - maximum mounting height = 49 FT
- HD05R = Remote control for HD07VR and HD09VR series Sensors (required to change factory settings)

Factory settings or Sensor : detection a ea =100%, hold time = 5 sec, tand-by period = 0 sec, stand-by dimming level = 10%, daylight threshold = disabled

COMPATIBLE DIMMERS AND CONTROLS

Manufacturer	Model Number	Dimmer Range	Load Switching Capacity
Americanlite	DWS-010V-T	10%-100%	600W
Americanlite	DWS-010V-D	10%-100%	600W
Leviton	IP710-LFZ	10%-100%	1200W
Lutron	DVSTV	10%-100%	450W

COMPATIBLE EMERGENCY DRIVERS-INSTALLED*

Emergency Driver Part Number	EM8		
	Model	Watts	EM Lumens*
WPFCSR-9865L-3CCT		8	1260
WPFCSR-17151310L-3CCT		8	1269

* EM Lumens based on factory setting of 4000K CCT and highest power setting.

Note: EM8 run time is 90 minutes.

Note: EM8 minimum ambient temperature is -20°C(-4°F)

LUMEN TABLES

Series	Measurements	30W			40W			50W			60W		
		3000K	4000K	5000K	3000K	4000K	5000K	3000K	4000K	5000K	3000K	4000K	5000K
WPFCSR-9865L-3CCT	Lumens	4,815	5,015	5,024	6,034	6,295	6,308	7,644	8,042	8,000	8,529	9,010	8,916
	Watts	31.28	30.56	31.23	39.87	38.98	39.81	52.02	50.55	51.98	59.13	57.22	58.95
	Efficacy	153.93	164.10	160.87	151.34	161.49	158.45	146.94	159.09	153.91	144.24	157.46	151.25

Series	Measurements	60W			80W			100W			120W		
		3000K	4000K	5000K	3000K	4000K	5000K	3000K	4000K	5000K	3000K	4000K	5000K
WPFCSR-17151310L-3CCT	Lumens	9,337	9,638	9,740	12,067	12,561	12,586	14,370	15,090	15,010	16,282	17,186	16,980
	Watts	59.62	58.48	59.54	78.87	77.01	78.78	96.32	93.79	96.27	111.81	108.36	111.5
	Efficacy	156.61	164.81	163.59	153.00	163.11	159.76	149.19	160.89	155.92	145.62	158.60	152.29

ELECTRICAL DATA

Series	CCT	Input Amps (A)											
		30W			40W			50W			60W		
		120V	240V	277V	120V	240V	277V	120V	240V	277V	120V	240V	277V
WPFCSR-9865L-3CCT	3000K	0.26	0.13	0.11	0.33	0.17	0.14	0.43	0.22	0.19	0.49	0.25	0.21
	4000K	0.25	0.13	0.11	0.32	0.16	0.14	0.42	0.21	0.18	0.48	0.24	0.21
	5000K	0.26	0.13	0.11	0.33	0.17	0.14	0.43	0.22	0.19	0.49	0.25	0.21

Series	CCT	Input Amps (A)											
		60W			80W			100W			120W		
		120V	240V	277V	120V	240V	277V	120V	240V	277V	120V	240V	277V
WPFCSR-17151310L-3CCT	3000K	0.50	0.25	0.22	0.66	0.33	0.28	0.80	0.40	0.35	0.93	0.47	0.40
	4000K	0.49	0.24	0.21	0.64	0.32	0.28	0.78	0.39	0.34	0.90	0.45	0.39
	5000K	0.50	0.25	0.21	0.66	0.33	0.28	0.80	0.40	0.35	0.93	0.46	0.40

PHOTOMETRICS

WPFCSR-9865L-3CCT

Luminaire Data

Description	Full Cut Off Wall Pack Field Selectable
Total Lumens	9,010
Input Wattage	57
Efficacy (lm/W)	157
Max. Cd.	3709.5 (360H, 25V)
IES Classification	Type III
Longitudinal Classification	Very Short

Zonal Lumen Summary

Zone	Lumens	%Fixt
0-30°	2,496	27.7%
0-60°	7,392	82.0%
0-80°	8,939	99.2%
80-90°	71	0.8%*
0-90°	9,010	100.0%
90-110°	0	0.0%
110-180°	0	0.0%
0-180°	9,010	100.0%

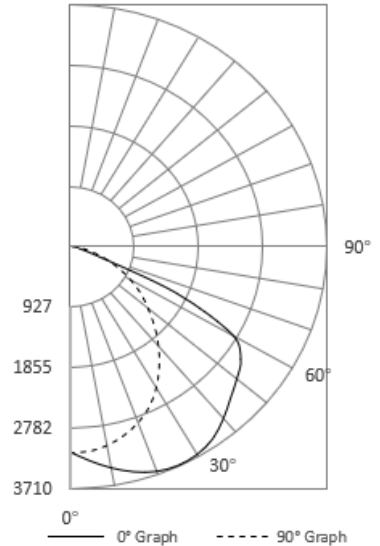
Luminaire Classification Systems (LCS)

LCS Zone	Lumens	%Lum
FL 0-30	1,398	15.5%
FM 30-60	3,162	35.1%
FH 60-80	1,173	13.0%
FVH 80-90	46	0.5%
BL 0-30	1,099	12.2%
BM 30-60	1,734	19.2%
BH 60-80	374	4.1%
BVH 80-90	25	0.3%
UL 90-100	0	0.0%
UH 100-180	0	0.0%
Total	9,010	100.0%
BUG Rating	B3-U0-G1	

Photometrics calculated @4000k, and highest lumen setting

* 80-90° glare zone is calculated by dividing the lumens in that zone by the lumen total in the 0-90° zone

180° Polar Graph



WPFCSR-17151310L-3CCT

Luminaire Data

Description	Full Cut Off Wall Pack Field Selectable
Total Lumens	17,186
Input Wattage	108
Efficacy (lm/W)	159
Max. Cd.	6670 (360H, 28V)
IES Classification	Type III
Longitudinal Classification	Very Short

Zonal Lumen Summary

Zone	Lumens	%Fixt
0-30°	4,624	26.9%
0-60°	13,815	80.4%
0-80°	16,988	98.8%
80-90°	198	1.2%*
0-90°	17,186	100.0%
90-110°	0	0.0%
110-180°	0	0.0%
0-180°	17,186	100.0%

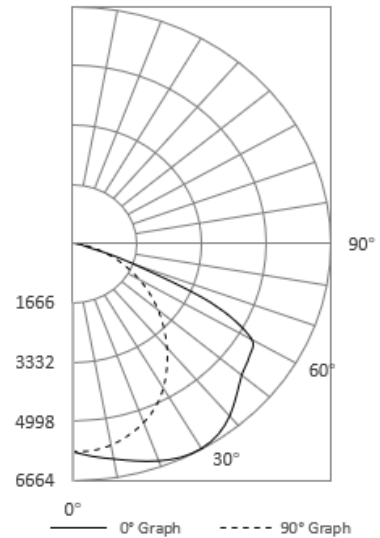
Luminaire Classification Systems (LCS)

LCS Zone	Lumens	%Lum
FL 0-30	2,516	14.6%
FM 30-60	5,734	33.4%
FH 60-80	2,374	13.8%
FVH 80-90	141	0.8%
BL 0-30	2,108	12.3%
BM 30-60	3,457	20.1%
BH 60-80	799	4.6%
BVH 80-90	57	0.3%
UL 90-100	0	0.0%
UH 100-180	0	0.0%
Total	17,186	100.0%
BUG Rating	B3-U0-G2	

Photometric calculated at 4000k, and highest lumen output

* 80-90° glare zone is calculated by dividing the lumens in that zone by the lumen total in the 0-90° zone

180° Polar Graph



Traditional Wall Pack Sensor Ready



STANDARDS



HOUSING

- Premium powder-coat, die cast aluminum, Bronze housing.

ELECTRICAL

- Operating temperature (ambient): -40°C to 50°C (-40°F to 122°F) .
- Universal 120-277 AC voltage (50-60Hz) is standard.
- 0-10V DC dimming drivers are standard.
- Integrated photocell is standard. Photocell can be enabled or disabled by switch.
- Input transient surge protection = 6kV.
- PF > 0.9; THD < 20%.

OPTICAL SYSTEM

- Prismatic Glass lens.
- Field selectable 3000K (warm white), 4000K (neutral white) and 5000K (cool white) color temperatures.*
- WPTSR-8654L-3CCT provides a range of 3,781 to 7,817 nominal lumens.*
- WPTSR-1715129L-3CCT provides a range of 9,076 to 16,817 nominal lumens.*
- Long-life LEDs provide 167,000 hours of operation with at least 70% of initial lumen output (L70), and 51,000 hours with at least 90% of initial lumen output (L90).**
- Screw in sensor ready. Occupancy sensor and remote control sold separately. Remote control required to change factory sensor settings.
- LED chromaticity based on < 6-step ANSI quadrangles.
- LED color maintenance < -0.0027 chromaticity shift ($\Delta u'v'$) over the initial 6,000 hours of operation.
- Color Rendering Index > 80.

* Default kelvin temperature 4000k and highest lumen output.
 ** L70 & L90 hours are IES TM-21-11 calculated hours.

MOUNTING

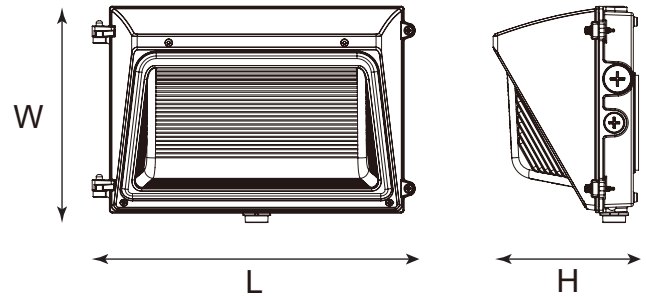
- Wall mounting kit.

CODE COMPLIANCE

- cULus listed for wet locations.
- DLC premium listed
- Complies with FCC Part 15, class A.
- IP65 rated for ingress protection.
- IK06 rated for impact protection.

WARRANTY

- 5 year warranty on all electronics and housing.



Model #	L (in)	W (in)	H (in)	Weight (lbs)
WPTSR-8654L-3CCT	14.47	6.45	9.25	7.07
WPTSR-1715129L-3CCT	14.47	6.45	9.25	7.29

ORDERING INFORMATION

Example: WPTSR-8654L-3CCT

Model	Nominal Lumen Output (selectable)		Kelvin (selectable)		Installed Options
WPTSR	8654L	8,000/ 6,000/ 5,000/ 4,000 lm	3CCT	3000/ 4000/ 5000K	EM8 8W Emergency Driver
	1715129L	17,000/ 15,000/ 12,000/ 9,000 lm			

ACCESSORIES (ORDER SEPARATELY)

Sensor

- HD07VR-PHF-1 = Passive infrared sensor - maximum mounting height = 39 FT
- HD07VR-MHF-1 = Microwave step-dimming sensor - maximum mounting height = 49 FT
- HD05R = Remote control for HD07VR and HD09VR series Sensors (required to change factory settings)

Factory settings or Sensor : detection a ea =100%, hold time = 5 sec, tand-by period = 0 sec, stand-by dimming level = 10%, daylight threshold = disabled

COMPATIBLE DIMMERS AND CONTROLS

Manufacturer	Model Number	Dimmer Range	Load Switching Capacity
Americanlite	DWS-010V-T	10%-100%	600W
Americanlite	DWS-010V-D	10%-100%	600W
Leviton	IP710-LFZ	10%-100%	1200W
Lutron	DVSTV	10%-100%	450W

COMPATIBLE EMERGENCY DRIVERS-INSTALLED*

Emergency Driver Part Number	EM8		
	Model	Watts	EM Lumens
WPTSR-8654L-3CCT		8	1239
WPTSR-1715129L-3CCT		8	1219

* EM Lumens based on factory setting of 4000K CC and highest power setting.

Note: EM8 run time is 90 minutes.
 Note: EM8 minimum ambient temperature is -20°C(-4°F)

LUMEN TABLES

Series	Measurements	25W			30W			40W			50W		
		3000K	4000K	5000K	3000K	4000K	5000K	3000K	4000K	5000K	3000K	4000K	5000K
WPTSR-8654L-3CCT	Lumens	3,781	3,863	3,927	4,653	4,786	4,842	5,714	5,910	5,946	7,462	7,817	7,755
	Watts	25.17	24.7	25.14	31.27	30.61	31.22	38.79	37.7	38.75	52.02	50.49	51.84
	Efficacy	150.22	156.40	156.21	148.80	156.35	155.09	147.31	156.76	153.45	143.44	154.82	149.59

Series	Measurements	60W			80W			100W			120W		
		3000K	4000K	5000K	3000K	4000K	5000K	3000K	4000K	5000K	3000K	4000K	5000K
WPTSR-1715129L-3CCT	Lumens	9,076	9,413	9,532	11,765	12,350	12,374	13,993	14,803	14,709	15,836	16,817	16,722
	Watts	60.3	59.07	60.22	80.31	78.48	80.29	98.14	95.56	97.97	113.96	110.4	113.72
	Efficacy	150.51	159.35	158.29	146.49	157.36	154.12	142.58	154.91	150.14	138.96	152.33	147.05

ELECTRICAL DATA

Series	CCT	Input Amps (A)											
		25W			30W			40W			50W		
		120V	240V	277V	120V	240V	277V	120V	240V	277V	120V	240V	277V
WPTSR-8654L-3CCT	3000K	0.21	0.10	0.09	0.26	0.13	0.11	0.32	0.16	0.14	0.43	0.22	0.19
	4000K	0.21	0.10	0.09	0.26	0.13	0.11	0.31	0.16	0.14	0.42	0.21	0.18
	5000K	0.21	0.10	0.09	0.26	0.13	0.11	0.32	0.16	0.14	0.43	0.22	0.19

Series	CCT	Input Amps (A)											
		60W			80W			100W			120W		
		120V	240V	277V	120V	240V	277V	120V	240V	277V	120V	240V	277V
WPTSR-1712129L-3CCT	3000K	0.50	0.25	0.22	0.67	0.33	0.29	0.82	0.41	0.35	0.95	0.47	0.41
	4000K	0.49	0.25	0.21	0.65	0.33	0.28	0.80	0.40	0.34	0.92	0.46	0.40
	5000K	0.50	0.25	0.22	0.67	0.33	0.29	0.82	0.41	0.35	0.95	0.46	0.41

PHOTOMETRICS

WPTSR-8654L-3CCT

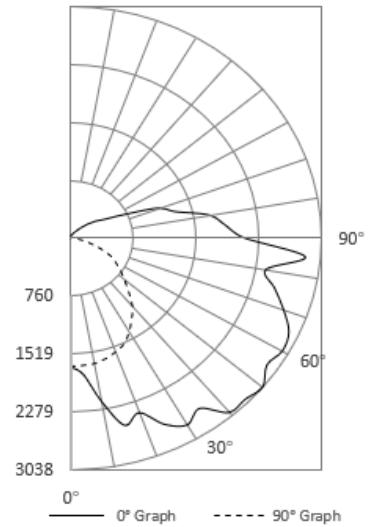
Luminaire Data

Description	Traditional Wall Pack Field Selectable
Total Lumens	7,817
Input Wattage	50
Efficacy (lm/W)	155
Max. Cd.	3109.6 (360H, 49V)
IES Classification	Type IV
Longitudinal Classification	Very Short

Luminaire Classification Systems (LCS)

LCS Zone	Lumens	%Lum
FL 0-30	914	11.7%
FM 30-60	2,450	31.3%
FH 60-80	1,771	22.7%
FVH 80-90	720	9.2%
BL 0-30	361	4.6%
BM 30-60	301	3.9%
BH 60-80	68	0.9%
BVH 80-90	10	0.1%
UL 90-100	553	7.1%
UH 100-180	670	8.6%
Total	7,817	100.0%
BUG Rating	B1-U4-G4	

180° Polar Graph



Zonal Lumen Summary

Zone	Lumens	%Fixt
0-30°	1,274	16.3%
0-60°	4,026	51.5%
0-80°	5,865	75.0%
80-90°	720	11.1%*
0-90°	6,595	84.4%
90-110°	900	11.5%
110-180°	0	0.0%
0-180°	7,817	100.0%

Photometrics calculated @4000k, and highest lumen setting

* 80-90° glare zone is calculated by dividing the lumens in that zone by the lumen total in the 0-90° zone

WPTSR-1715129L-3CCT

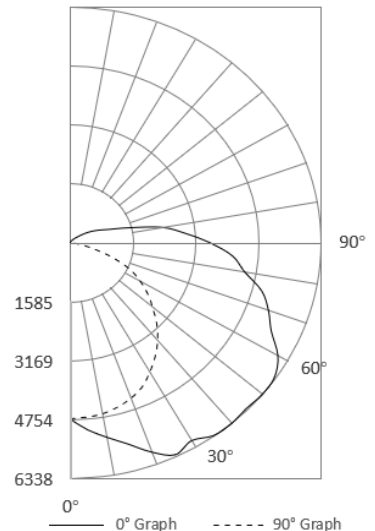
Luminaire Data

Description	Traditional Wall Pack Field Selectable
Total Lumens	16,817
Input Wattage	110
Efficacy (lm/W)	152
Max. Cd.	6819.6 (360H, 38V)
IES Classification	Type IV
Longitudinal Classification	Very Short

Luminaire Classification Systems (LCS)

LCS Zone	Lumens	%Lum
FL 0-30	2,217	13.2%
FM 30-60	5,537	32.9%
FH 60-80	3,551	21.1%
FVH 80-90	1,260	7.5%
BL 0-30	1,292	7.7%
BM 30-60	1,119	6.7%
BH 60-80	231	1.4%
BVH 80-90	24	0.1%
UL 90-100	814	4.8%
UH 100-180	771	4.6%
Total	16,817	100.0%
BUG Rating	B3-U4-G5	

180° Polar Graph



Zonal Lumen Summary

Zone	Lumens	%Fixt
0-30°	3,509	20.9%
0-60°	10,164	60.4%
0-80°	13,947	82.9%
80-90°	1,285	8.4%*
0-90°	15,231	90.6%
90-110°	1,227	7.3%
110-180°	0	0.0%
0-180°	16,817	100.0%

Photometric calculated at 4000k, and highest lumen output

* 80-90° glare zone is calculated by dividing the lumens in that zone by the lumen total in the 0-90° zone

Adjustable Wall Pack – Lumen & Kelvin Field Selectable

STANDARD



FEATURES

- Field selectable 3000k (warm white), 4000k (neutral white), and 5000k (cool white) color temperatures.*
- Adjustable housing – up to 90°.
- Long-life LEDs provide at least 70% of initial lumen output (L_{70}) for $\geq 146,000$ hours of operation, and at least 90% of initial lumen output (L_{90}) for $\geq 44,000$ hours of operation.**
- LED chromaticity based on ≤ 5 -step ANSI quadrangles.
- LED color maintenance ≤ 0.003 chromaticity shift ($\Delta u'v'$) over the initial 6,000 of operation.
- Provides a range of 3,000 to 10,700 nominal lumens and 132 to 154 nominal lumens per watt (lm/W).
- 0-10vdc dimming drivers are standard.
- Universal 120-277 AC voltage (50-60Hz) is standard.
- Power factor > 0.90 .
- Total harmonic distortion $< 20\%$.
- Color rendering index (R_a) > 80 .
- Cast aluminum housing with dark bronze, powder coat finish.
- Polycarbonate lens.
- Three $\frac{1}{2}$ " NPT threaded openings.
- Easy installation in new construction or retrofit applications.

* Contact factory for other color temperatures and lumen packages.

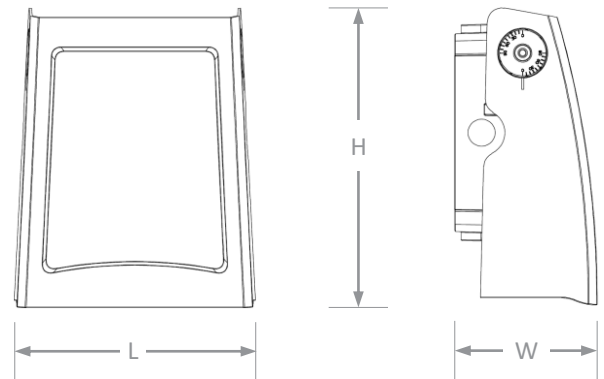
** L_{70} & L_{90} hours are IES TM-21-11 calculated hours.



WARRANTY & LISTINGS

- cULus listed for wet locations in ambient temperatures from -40°C to 50°C (-40°F to 122°F).
- IP65 rated for ingress protection.
- DLC premium approved.
- Complies with FCC Part 15, class B.
- Surge protection = 4kV.
- 5-year warranty of all electronics and housing.

DIMENSIONS



	<u>5L</u>	<u>10L</u>
Length – L	6.5"	8.5"
Width – W	4"	5"
Height – H	8"	11"
Weight (lbs.)	3	5

ORDERING INFORMATION

Example: WPA-5L-LKFS

Series	Nominal Lumen Output		Select
	WPA	5L 10L	

ELECTRICAL DATA

Series	Measurements	Low Lumens			Mid Lumens			High Lumens		
		3000K	4000K	5000K	3000K	4000K	5000K	3000K	4000K	5000K
WPA-5L-LKFS	Lumens	3044	3002	3307	3819	3842	4155	4646	5084	5049
	Watts	22	20	22	28	25	28	35	34	35
	Efficacy	142	154	154	137	151	149	133	151	145
	Input Current (A)	120V = 0.18A	120V = 0.17A	120V = 0.18A	120V = 0.23A	120V = 0.21A	120V = 0.23A	120V = 0.29A	120V = 0.28A	120V = 0.29A
240V = 0.09A		240V = 0.08A	240V = 0.09A	240V = 0.12A	240V = 0.10A	240V = 0.12A	240V = 0.15A	240V = 0.14A	240V = 0.15A	
277V = 0.08A		277V = 0.07A	277V = 0.08A	277V = 0.10A	277V = 0.09A	277V = 0.10A	277V = 0.13A	277V = 0.12A	277V = 0.13A	

Series	Measurements	Low Lumens			Mid Lumens			High Lumens		
		3000K	4000K	5000K	3000K	4000K	5000K	3000K	4000K	5000K
WPA-10L-LKFS	Lumens	6536	7028	7107	8339	9032	9056	9746	10,734	10,578
	Watts	46	45	46	61	59	61	74	71	74
	Efficacy	142	157	154	137	153	148	132	150	142
	Input Current (A)	120V = 0.60A	120V = 0.38A	120V = 0.60A	120V = 0.78A	120V = 0.49A	120V = 0.78A	120V = 0.97A	120V = 0.94A	120V = 0.97A
240V = 0.30A		240V = 0.19A	240V = 0.30A	240V = 0.39A	240V = 0.25A	240V = 0.39A	240V = 0.48A	240V = 0.47A	240V = 0.48A	
277V = 0.26A		277V = 0.16A	277V = 0.26A	277V = 0.34A	277V = 0.21A	277V = 0.34A	277V = 0.42A	277V = 0.41A	277V = 0.42A	

PHOTOMETRIC DATA

WPA-5L-LKFS

Luminaire Data

Description	Adjustable Wall Pack 5L 5K -LKFS
Total Lumens	5,049
Input Wattage	35
Efficacy (lm/W)	144
Max. Cd.	2634.18 (360H, 24V)
IES Classification	Type II
Longitudinal Classification	Very Short

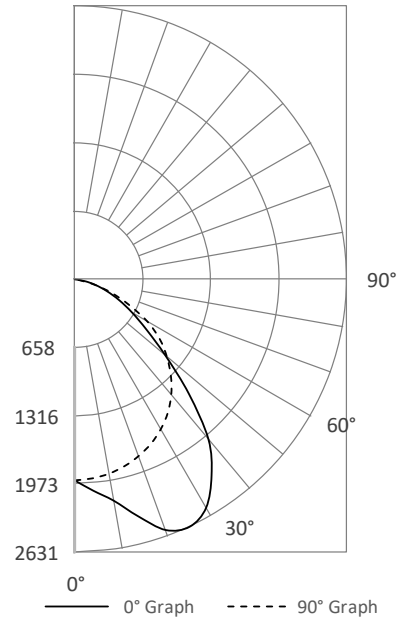
Zonal Lumen Summary

Zone	Lumens	%Fixt
0-30°	1,597	31.6%
0-60°	4,386	86.9%
0-80°	5,018	99.4%
80-90°	31	0.6%*
0-90°	5,049	100.0%
90-110°	0	0.0%
110-180°	0	0.0%
0-180°	5,049	100.0%

Luminaire Classification Systems (LCS)

LCS Zone	Lumens	%Lum
FL 0-30	922	18.3%
FM 30-60	1,810	35.8%
FH 60-80	488	9.7%
FVH 80-90	25	0.5%
BL 0-30	674	13.4%
BM 30-60	979	19.4%
BH 60-80	144	2.9%
BVH 80-90	6	0.1%
UL 90-100	0	0.0%
UH 100-180	0	0.0%
Total	5,049	99.8%
BUG Rating	B2-U0-G1	

180° Polar Graph



* 80-90° glare zone is calculated by dividing the lumens in that zone by the lumen total in the 0-90° zone

WPA-10L-LKFS

Luminaire Data

Description	Adjustable Wall Pack 10L 5K -LKFS
Total Lumens	10,578
Input Wattage	74
Efficacy (lm/W)	143
Max. Cd.	5440.72 (360H, 23V)
IES Classification	Type II
Longitudinal Classification	Very Short

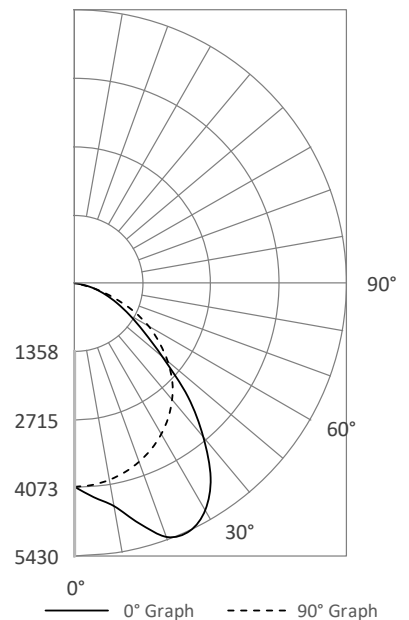
Zonal Lumen Summary

Zone	Lumens	%Fixt
0-30°	3,356	31.7%
0-60°	9,188	86.9%
0-80°	10,510	99.4%
80-90°	68	0.6%*
0-90°	10,578	100.0%
90-110°	0	0.0%
110-180°	0	0.0%
0-180°	10,578	100.0%

Luminaire Classification Systems (LCS)

LCS Zone	Lumens	%Lum
FL 0-30	1,924	18.2%
FM 30-60	3,727	35.2%
FH 60-80	999	9.4%
FVH 80-90	53	0.5%
BL 0-30	1,432	13.5%
BM 30-60	2,104	19.9%
BH 60-80	324	3.1%
BVH 80-90	14	0.1%
UL 90-100	0	0.0%
UH 100-180	0	0.0%
Total	10,578	100.0%
BUG Rating	B3-U0-G1	

180° Polar Graph



* 80-90° glare zone is calculated by dividing the lumens in that zone by the lumen total in the 0-90° zone

Full Cut Off Wall Pack – Lumen & Kelvin Field Selectable

STANDARD



FEATURES

- Field selectable 3000k (warm white), 4000k (neutral white), and 5000k (cool white) color temperatures.*
- Long-life LEDs provide at least 70% of initial lumen output (L_{70}) for $\geq 136,000$ hours of operation, and at least 90% of initial lumen output (L_{90}) for $\geq 41,000$ hours of operation.**
- LED chromaticity based on ≤ 5 -step ANSI quadrangles.
- LED color maintenance ≤ 0.003 chromaticity shift ($\Delta u'v'$) over the initial 6,000 of operation.
- Provides a range of 5,200 to 16,800 nominal lumens and 130 to 161 nominal lumens per watt (lm/W).
- 0-10vdc dimming drivers are standard.
- Universal 120-277 AC voltage (50-60Hz) is standard.
- Power factor > 0.90 .
- Total harmonic distortion $< 20\%$.
- Color rendering index (R_a) > 80 .
- Cast aluminum housing with dark bronze, powder coat finish.
- Polycarbonate lens.
- Three $\frac{1}{2}$ " NPT threaded openings.
- Easy installation in new construction or retrofit applications.

* Contact factory for other color temperatures and lumen packages.

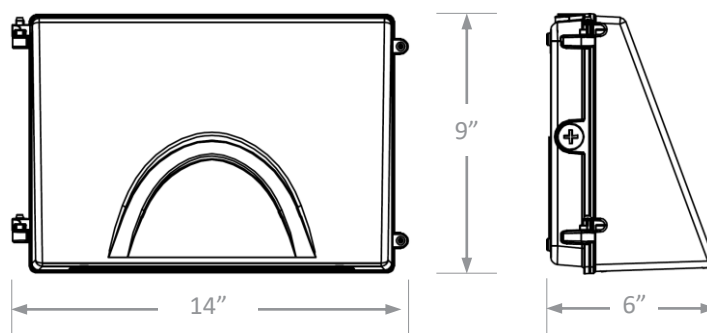
** L_{70} & L_{90} hours are IES TM-21-11 calculated hours.



WARRANTY & LISTINGS

- cULus listed for wet locations in ambient temperatures from -40°C to 45°C (-40°F to 113°F).
- IP65 rated for ingress protection.
- DLC premium approved.
- Complies with FCC Part 15, class B.
- Surge protection = 4kV.
- 5-year warranty of all electronics and housing.

DIMENSIONS



Weight: 8L = 5 lbs / 15L = 5 lbs

ORDERING INFORMATION

Example: WPFC-15L-LKFS-P

Series	Nominal Lumen Output		Select	Photocell		
	8L	15L		B	P	Blank
WPFC	8,000 lumens	15,000 lumens	LKFS	Button photocell	Pencil photocell	No photocell

ELECTRICAL DATA

Series	Measurements	Low Lumens			Mid Lumens			High Lumens		
		3000K	4000K	5000K	3000K	4000K	5000K	3000K	4000K	5000K
WPFC-8L-LKFS	Lumens	5251	5526	5722	6659	7048	7198	7877	8682	8552
	Watts	36	35	36	48	46	48	59	57	59
	Efficacy	145	161	158	139	156	151	133	152	144
	Input Current (A)	120V = 0.30A	120V = 0.29A	120V = 0.30A	120V = 0.40A	120V = 0.38A	120V = 0.40A	120V = 0.49A	120V = 0.48A	120V = 0.49A
		240V = 0.15A	240V = 0.15A	240V = 0.15A	240V = 0.20A	240V = 0.19A	240V = 0.20A	240V = 0.25A	240V = 0.24A	240V = 0.25A
		277V = 0.13A	277V = 0.13A	277V = 0.13A	277V = 0.17A	277V = 0.17A	277V = 0.17A	277V = 0.21A	277V = 0.21A	277V = 0.21A

Series	Measurements	Low Lumens			Mid Lumens			High Lumens		
		3000K	4000K	5000K	3000K	4000K	5000K	3000K	4000K	5000K
WPFC-15L-LKFS	Lumens	10,352	10,987	11,227	12,850	13,760	13,916	15,065	16,848	16,374
	Watts	72	71	72	94	92	94	116	113	116
	Efficacy	143	159	155	136	154	148	130	149	141
	Input Current (A)	120V = 0.60A	120V = 0.59A	120V = 0.60A	120V = 0.78A	120V = 0.77A	120V = 0.78A	120V = 0.97A	120V = 0.94A	120V = 0.97A
		240V = 0.30A	240V = 0.30A	240V = 0.30A	240V = 0.39A	240V = 0.38A	240V = 0.39A	240V = 0.48A	240V = 0.47A	240V = 0.48A
		277V = 0.26A	277V = 0.26A	277V = 0.26A	277V = 0.34A	277V = 0.33A	277V = 0.34A	277V = 0.42A	277V = 0.41A	277V = 0.42A

PHOTOMETRIC DATA

WPFC-8L-LKFS

Luminaire Data

Description	Full Cut Off Wall Pack 8L 5K - LKFS
Total Lumens	8,552
Input Wattage	59
Efficacy (lm/W)	145
Max. Cd.	4088.23 (360H, 29V)
IES Classification	Type II
Longitudinal Classification	Very Short

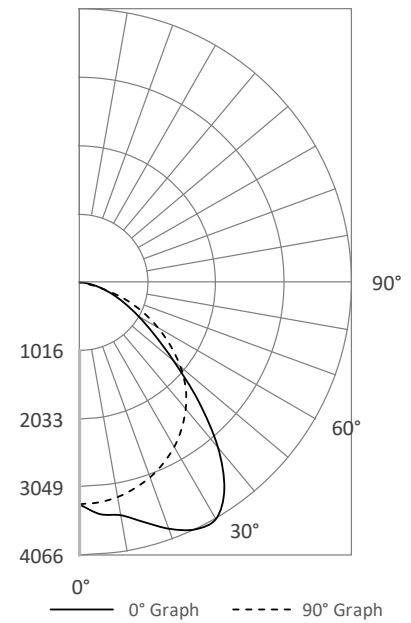
Zonal Lumen Summary

Zone	Lumens	%Fixt
0-30°	2,710	31.7%
0-60°	7,458	87.2%
0-80°	8,493	99.3%
80-90°	59	0.7%*
0-90°	8,552	100.0%
90-110°	0	0.0%
110-180°	0	0.0%
0-180°	8,552	100.0%

Luminaire Classification Systems (LCS)

LCS Zone	Lumens	%Lum
FL 0-30	1,491	17.4%
FM 30-60	2,912	34.1%
FH 60-80	775	9.1%
FVH 80-90	49	0.6%
BL 0-30	1,219	14.2%
BM 30-60	1,836	21.5%
BH 60-80	260	3.0%
BVH 80-90	11	0.1%
UL 90-100	0	0.0%
UH 100-180	0	0.0%
Total	8,552	100.0%
BUG Rating	B3-U0-G1	

180° Polar Graph



* 80-90° glare zone is calculated by dividing the lumens in that zone by the lumen total in the 0-90° zone

WPFC-15L-LKFS

Luminaire Data

Description	Full Cut Off Wall Pack 15L 5K - LKFS
Total Lumens	16,374
Input Wattage	116
Efficacy (lm/W)	141
Max. Cd.	7769.7 (360H, 29V)
IES Classification	Type II
Longitudinal Classification	Very Short

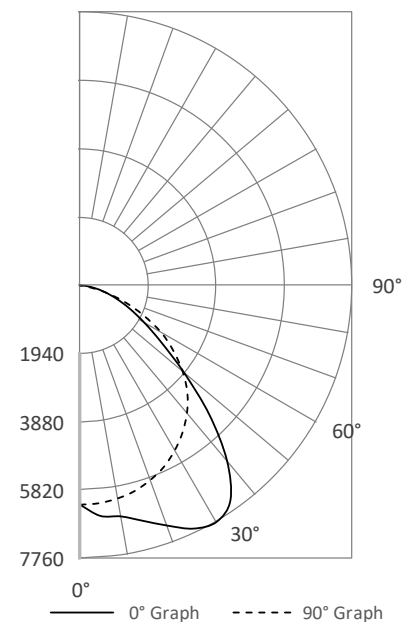
Zonal Lumen Summary

Zone	Lumens	%Fixt
0-30°	5,099	31.1%
0-60°	14,192	86.7%
0-80°	16,244	99.2%
80-90°	130	0.8%*
0-90°	16,374	100.0%
90-110°	0	0.0%
110-180°	0	0.0%
0-180°	16,374	100.0%

Luminaire Classification Systems (LCS)

LCS Zone	Lumens	%Lum
FL 0-30	2,800	17.1%
FM 30-60	5,696	34.8%
FH 60-80	1,582	9.7%
FVH 80-90	114	0.7%
BL 0-30	2,299	14.0%
BM 30-60	3,398	20.8%
BH 60-80	470	2.9%
BVH 80-90	16	0.1%
UL 90-100	0	0.0%
UH 100-180	0	0.0%
Total	16,374	99.9%
BUG Rating	B3-U0-G2	

180° Polar Graph



* 80-90° glare zone is calculated by dividing the lumens in that zone by the lumen total in the 0-90° zone

Economy Wall Pack Lumen & Kelvin selectable



STANDARDS



HOUSING

- Premium powder-coat, Polycarbonate, Bronze housing.

ELECTRICAL

- Operating temperature (ambient): -30°C to 50°C (-22°F to 122°F).
- Universal 120-277 AC voltage (50-60Hz) is standard.
- 0-10V DC dimming drivers are standard.
- Integrated photocell is standard. Photocell can be enabled or disabled by switch.
- Input transient surge protection = 2kV.
- Power factor > 90.
- Total harmonic distortion < 20%.

OPTICAL SYSTEM

- Polycarbonate lens.
- Field selectable 3000K (warm white), 4000K (neutral white) and 5000K (cool white) color temperatures.*
- Provides a range of 2,009 to 3,923 nominal lumens.*
- Long-life LEDs provide 153,000 hours of operation with at least 70% of initial lumen output (L70), and 46,000 hours with at least 90% of initial lumen output (L90).**
- LED chromaticity based on < 6-step ANSI quadrangles.
- LED color maintenance < -0.0021 chromaticity shift ($\Delta u'v'$) over the initial 6,000 hours of operation.
- Color Rendering Index > 80.

* Default kelvin temperature 4000k and highest lumen output.

** L70 & L90 hours are IES TM-21-11 calculated hours.

MOUNTING

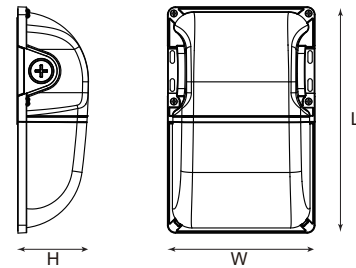
- Wall mounting kit.

CODE COMPLIANCE

- cETLus listed for wet locations.
- DLC premium listed
- Complies with FCC Part 15, class A.
- IP65 rated for ingress protection.
- IK08 rated for impact protection.

WARRANTY

- 5 year warranty on all electronics and housing.



Model #	L (in)	W (in)	H (in)	Weight (lbs)
WPE-432L-3CCT	9.06	5.91	2.87	1.48

ORDERING INFORMATION

Example: WPE-432L-3CCT

Model	Nominal Lumen Output (selectable)		Kelvin (selectable)	
	WPE	432L	4,000/ 3,000/ 2,000 lm	3CCT

COMPATIBLE DIMMERS AND CONTROLS

Manufacturer	Model Number	Dimmer Range	Load Switching Capacity
Americanlite	DWS-010V-T	10%-100%	600W
Americanlite	DWS-010V-D	10%-100%	600W
Leviton	IP710-LFZ	10%-100%	1200W
Lutron	DVSTV	10%-100%	450W

LUMEN TABLES

Series	Measurements	Low Lumen			Mid Lumen			High Lumen		
		3000K	4000K	5000K	3000K	4000K	5000K	3000K	4000K	5000K
WPE-432L-3CCT	Lumens	2,009	2,081	2,072	2,659	2,788	2,724	3,802	3,948	3,923
	Watts	14.4	14.05	14.58	19.27	18.73	19.07	28.13	27.47	28.64
	Efficacy	139.51	148.11	142.11	137.99	148.85	142.84	135.16	143.72	136.98

ELECTRICAL DATA

Series	CCT	Input Amps (A)								
		Low Lumen			Mid Lumen			High Lumen		
		120V	240V	277V	120V	240V	277V	120V	240V	277V
WPE-432L-3CCT	3000K	0.12	0.06	0.05	0.16	0.08	0.07	0.23	0.12	0.10
	4000K	0.12	0.06	0.05	0.16	0.08	0.07	0.23	0.11	0.10
	5000K	0.12	0.06	0.05	0.16	0.08	0.07	0.24	0.12	0.10

PHOTOMETRICS

WPE-432L-5CCT

Luminaire Data

Description	Economy Wall Pack CCT and Lumen Select
Total Lumens	3,325
Input Wattage	28
Efficacy (lm/W)	118
Max. Cd.	1405.632 (360H, 30V)
IES Classification	Type IV
Longitudinal Classification	Very Short

Luminaire Classification Systems (LCS)

LCS Zone	Lumens	%Lum
FL 0-30	452	11.9%
FM 30-60	1,108	29.1%
FH 60-80	638	16.8%
FVH 80-90	190	5.0%
BL 0-30	206	5.4%
BM 30-60	228	6.0%
BH 60-80	98	2.5%
BVH 80-90	24	0.6%
UL 90-100	139	3.7%
UH 100-180	240	6.3%
Total	3,325	87.5%
BUG Rating	B1-U3-G2	

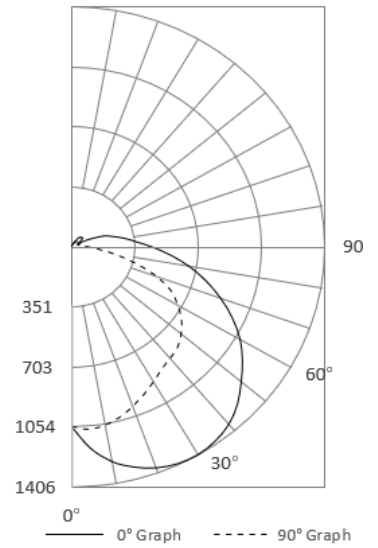
Zonal Lumen Summary

Zone	Lumens	%Fixt
0-30°	659	19.8%
0-60°	1,995	60.0%
0-80°	2,731	82.1%
80-90°	214	7.3%*
0-90°	2,946	88.6%
90-110°	228	6.8%
110-180°	0	0.0%
0-180°	3,325	100.0%

Photometrics calculated at 3000k, and highest lumen output

* 80-90° glare zone is calculated by dividing the lumens in that zone by the lumen total in the 0-90° zone

180° Polar Graph



Half Moon Full Cutoff Wall Pack Lumen & Kelvin selectable



STANDARDS



HOUSING

- Premium powder-coat, die cast aluminum, Bronze housing.

ELECTRICAL

- Operating temperature (ambient): -40°C to 50°C (-40°F to 122°F).
- Universal 120-277 AC voltage (50-60Hz) is standard.
- 0-10V DC dimming drivers are standard.
- Integrated photocell is standard. Photocell can be enabled or disabled by switch.
- Input transient surge protection = 4kV for WPHM-875L-3CCT
- Input transient surge protection = 6kV for WPHM-13108L-3CCT
- Power factor > 90.
- Total harmonic distortion < 20%.

OPTICAL SYSTEM

- Polycarbonate lens.
- Field selectable 3000K (warm white), 4000K (neutral white) and 5000K (cool white) color temperatures.*
- WPHM-875L-3CCT provides a range of 5,483 to 8,352 nominal lumens.*
- WPHM-13108L-3CCT provides a range of 8,165 to 13,690 nominal lumens.*
- Long-life LEDs provide 160,000 hours of operation with at least 70% of initial lumen output (L70), and 48,000 hours with at least 90% of initial lumen output (L90).**
- LED chromaticity based on < 6-step ANSI quadrangles.
- LED color maintenance < 0.0031 chromaticity shift ($\Delta u'v'$) over the initial 6,000 hours of operation.
- Color Rendering Index > 80.

* Default kelvin temperature 4000k and highest lumen output.

** L70 & L90 hours are IES TM-21-11 calculated hours.

MOUNTING

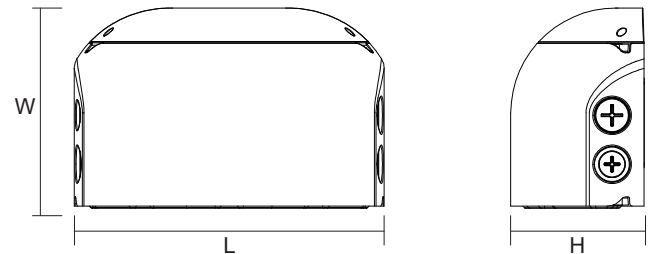
- Wall mounting kit.

CODE COMPLIANCE

- cULus listed for wet locations.
- DLC premium listed
- Complies with FCC Part 15, class A.
- IP65 rated for ingress protection.
- IK08 rated for impact protection.

WARRANTY

- 5 year warranty on all electronics and housing.



Model #	L (in)	W (in)	H (in)	Weight (lbs)
WPHM-875L-3CCT	10.46	6.76	4.51	3.8
WPHM-13108L-3CCT	13.98	8.72	6.04	6.41

ORDERING INFORMATION

Example: WPHM-875L-3CCT

Model	Nominal Lumen Output (selectable)		Kelvin (selectable)	
	WPHM	875L	8,000/ 7,000/ 5,000 lm	3CCT
13108L		13,000/ 10,000/ 8,000 lm		

LUMEN TABLES

Series	Measurements	Low Lumen			Mid Lumen			High Lumen		
		3000K	4000K	5000K	3000K	4000K	5000K	3000K	4000K	5000K
WPHM-875L-3CCT	Lumens	5,483	5,896	5,753	6,531	7,142	6,848	7,492	8,352	7,863
	Watts	40.94	39.15	40.74	50.94	48.52	50.53	61.15	58.17	68.84
	Efficacy	133.93	150.60	141.21	128.21	147.20	135.52	122.52	143.58	114.22

Series	Measurements	Low Lumen			Mid Lumen			High Lumen		
		3000K	4000K	5000K	3000K	4000K	5000K	3000K	4000K	5000K
WPHM-13108L-3CCT	Lumens	8,165	8,839	8,627	10,420	11,438	10,960	12,233	13,690	12,876
	Watts	60.04	58.07	60.1	80.93	77.16	80.45	100.61	95.34	100.06
	Efficacy	135.99	152.21	143.54	128.75	148.24	136.23	121.59	143.59	128.68

ELECTRICAL DATA

Series	CCT	Input Amps (A)								
		Low Lumen			Mid Lumen			High Lumen		
		120V	240V	277V	120V	240V	277V	120V	240V	277V
WPHM-875L-3CCT	3000K	0.34	0.17	0.15	0.42	0.21	0.18	0.51	0.25	0.22
	4000K	0.33	0.16	0.14	0.40	0.20	0.18	0.48	0.24	0.21
	5000K	0.34	0.17	0.15	0.42	0.21	0.18	0.57	0.29	0.25

Series	CCT	Input Amps (A)								
		Low Lumen			Mid Lumen			High Lumen		
		120V	240V	277V	120V	240V	277V	120V	240V	277V
WPHM-13108L-3CCT	3000K	0.50	0.25	0.22	0.67	0.34	0.29	0.84	0.42	0.36
	4000K	0.48	0.24	0.21	0.64	0.32	0.28	0.79	0.40	0.34
	5000K	0.50	0.25	0.22	0.67	0.34	0.29	0.83	0.42	0.36

PHOTOMETRICS

WPHM-875L-3CCT

Luminaire Data

Description	Half Moon Wall Pack Field Selectable
Total Lumens	8,352
Input Wattage	58
Efficacy (lm/W)	144
Max. Cd.	4702.6 (112.5H, 3V)
IES Classification	N.A.
Longitudinal Classification	N.A.

Zonal Lumen Summary

Zone	Lumens	%Fixt
0-30°	3,323	39.8%
0-60°	7,409	88.7%
0-80°	8,295	99.3%
80-90°	57	0.7%*
0-90°	8,352	100.0%
90-110°	0	0.0%
110-180°	0	0.0%
0-180°	8,352	100.0%

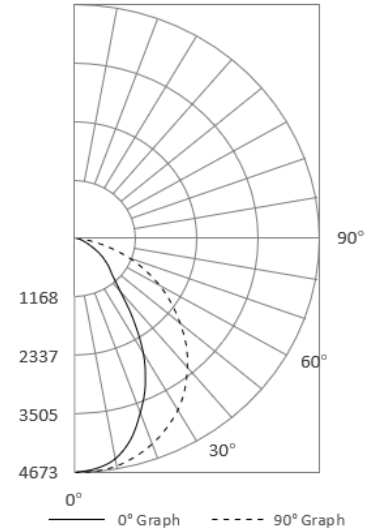
Luminaire Classification Systems (LCS)

LCS Zone	Lumens	%Lum
FL 0-30	1,675	20.1%
FM 30-60	2,053	24.6%
FH 60-80	425	5.1%
FVH 80-90	24	0.3%
BL 0-30	1,648	19.7%
BM 30-60	2,033	24.3%
BH 60-80	462	5.5%
BVH 80-90	33	0.4%
UL 90-100	0	0.0%
UH 100-180	0	0.0%
Total	8,352	100.0%
BUG Rating	B3-U0-G1	

Photometrics calculated @4000k, and highest lumen setting

* 80-90° glare zone is calculated by dividing the lumens in that zone by the lumen total in the 0-90° zone

180° Polar Graph



WPHM-13108L-3CCT

Luminaire Data

Description	Half Moon Wall Pack Field Selectable
Total Lumens	13,690
Input Wattage	95
Efficacy (lm/W)	144
Max. Cd.	7864.8 (202.5H, 2V)
IES Classification	N.A.
Longitudinal Classification	N.A.

Zonal Lumen Summary

Zone	Lumens	%Fixt
0-30°	5,540	40.5%
0-60°	12,153	88.8%
0-80°	13,598	99.3%
80-90°	92	0.7%*
0-90°	13,690	100.0%
90-110°	0	0.0%
110-180°	0	0.0%
0-180°	13,690	100.0%

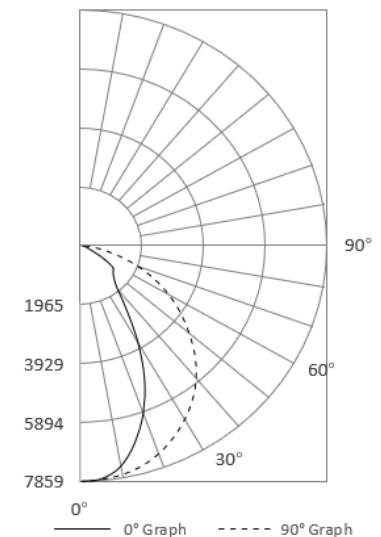
Luminaire Classification Systems (LCS)

LCS Zone	Lumens	%Lum
FL 0-30	2,729	19.9%
FM 30-60	3,182	23.2%
FH 60-80	671	4.9%
FVH 80-90	39	0.3%
BL 0-30	2,811	20.5%
BM 30-60	3,430	25.1%
BH 60-80	775	5.7%
BVH 80-90	53	0.4%
UL 90-100	0	0.0%
UH 100-180	0	0.0%
Total	13,690	100.0%
BUG Rating	B4-U0-G2	

Photometrics calculated @4000k, and highest lumen setting

* 80-90° glare zone is calculated by dividing the lumens in that zone by the lumen total in the 0-90° zone

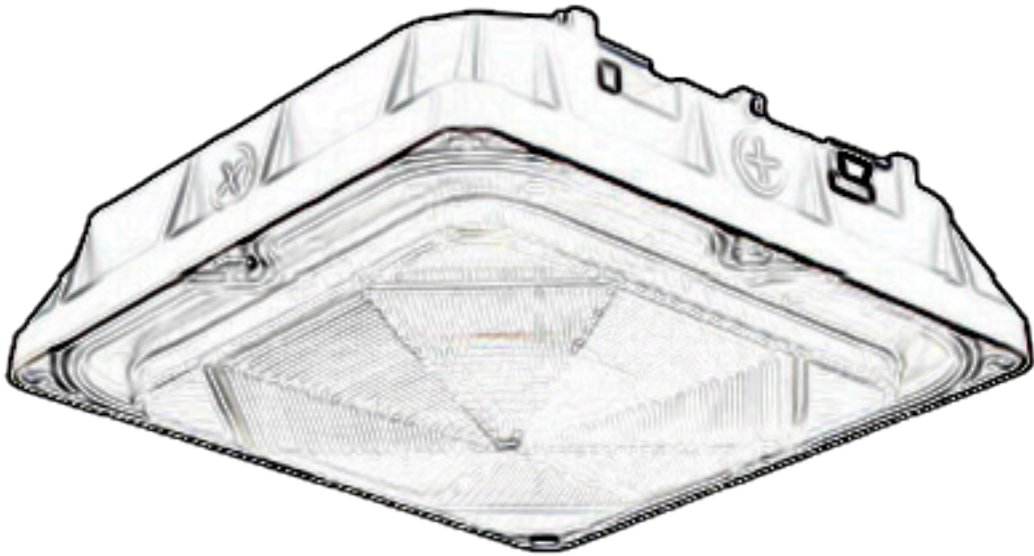
180° Polar Graph



COMPATIBLE DIMMERS AND CONTROLS

Manufacturer	Model Number	Dimmer Range	Load Switching Capacity
Americanlite	DWS-010V-T	10%-100%	600W
Americanlite	DWS-010V-D	10%-100%	600W
Leviton	IP710-LFZ	10%-100%	1200W
Lutron	DVSTV	10%-100%	450W

Canopy



Canopy Luminaire High Lumen



STANDARDS



HOUSING

- Premium powder-coat, die cast aluminum, White housing.

ELECTRICAL

- Operating temperature (ambient): -40°C to 45°C (-40°F to 113°F).
- Universal 120-277 AC voltage (50-60Hz) is standard.
- 0-10V DC dimming drivers are standard.
- Input transient surge protection = 6kV.
- PF > 0.9; THD < 20%.

OPTICAL SYSTEM

- Polycarbonate lens.
- 5000K (cool white) color temperatures.*
- Provides a range of 19,000 to 27,000 nominal lumens.*
- Long-life LEDs provide 173,000 hours of operation with at least 70% of initial lumen output (L70), and 52,000 hours with at least 90% of initial lumen output (L90).**
- LED chromaticity based on < 6-step ANSI quadrangles.
- Color Rendering Index > 80.

* Default kelvin temperature 4000k and highest lumen output.

** L70 & L90 hours are IES TM-21-11 calculated hours.

MOUNTING

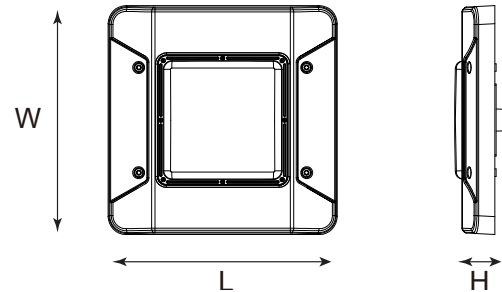
- Surface mounting.

CODE COMPLIANCE

- cULus listed for wet locations.
- Complies with FCC Part 15, class A.
- IP65 rated for ingress protection.

WARRANTY

- 5 year warranty on all electronics and housing.



Model #	L (in)	W (in)	H (in)	Weight (lbs)
CPHL-272219L-5K	15	15	3.26	10.83

ORDERING INFORMATION

Example: CPHL-272219L-5K

Model	Nominal Lumen Output (selectable)		Kelvin (selectable)	
	CPHL	272219L	27,000/ 22,000/ 19,000 lm	5K

LUMEN TABLES

Series	Measurements	Low Lumen	Mid Lumen	High Lumen
		5000K	5000K	5000K
CPHL-272219L-5K	Lumens	19,553	22,366	27,385
	Watt	120.2	139.4	177.3
	Efficacy	162.67	160.44	154.46

ELECTRICAL DATA

Series	CCT	Input Amps (A)								
		Low Lumen			Mid Lumen			High Lumen		
		120V	240V	277V	120V	240V	277V	120V	240V	277V
CPHL-272219L-5K	5000K	1.0	0.5	0.43	1.16	0.58	0.50	1.48	0.74	0.64

PHOTOMETRICS

CPHL-272219L-5K

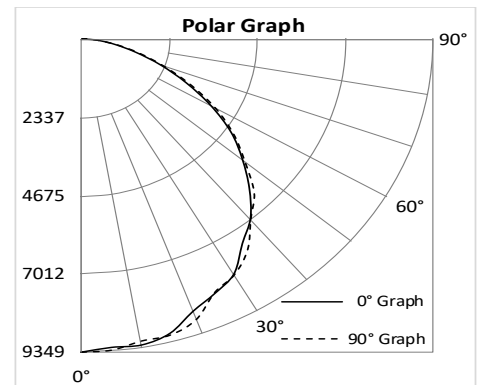
Luminaire Data

Description	High Lumen Canopy 5K, Lumen Selectable
Total Lumens	27,385
Input Wattage	177
Efficacy (lm/W)	154
Spacing Criterion (0-180°)	1.28
Spacing Criterion (90-270°)	1.3

Photometric calculated at highest lumen setting.

Zonal Lumen Summary

Zone	Lumens	%Fixt
0-20°	3,425	12.5%
0-30°	7,319	26.7%
0-40°	12,071	44.1%
20-50°	13,579	49.6%
40-70°	12,464	45.5%
0-60°	21,364	78.0%
0-80°	26,280	96.0%
0-90°	26,964	98.5%
90-180°	421	1.5%
0-180°	27,385	100.0%



COMPATIBLE DIMMERS AND CONTROLS

Manufacturer	Model Number	Dimmer Range	Load Switching Capacity
Americanlite	DWS-010V-T	10%-100%	600W
Americanlite	DWS-010V-D	10%-100%	600W
Leviton	IP710-LFZ	10%-100%	1200W
Lutron	DVSTV	10%-100%	450W

Round Canopy Luminaire Sensor Ready



STANDARDS



HOUSING

- Premium powder-coat, die cast aluminum, Bronze or White housing.

ELECTRICAL

- Operating temperature (ambient): -40°C to 45°C (-40°F to 113°F).
- Universal 120-277 AC voltage (50-60Hz) is standard.
- 0-10V DC dimming drivers are standard.
- Integrated photocell is standard. Photocell can be enabled or disabled by switch.
- Input transient surge protection = 6kV.
- PF > 0.9; THD < 20%.

OPTICAL SYSTEM

- Polycarbonate lens.
- Field selectable 3000K (warm white), 4000K (neutral white) and 5000K (cool white) color temperatures.*
- Five lumens selectable to provide a range of 3,171 to 11,682 nominal lumens.*
- Long-life LEDs provide 167,000 hours of operation with at least 70% of initial lumen output (L70), and 51,000 hours with at least 90% of initial lumen output (L90).**
- Beam angle 135°.
- Screw in sensor ready. Sensor and remote control sold separately. Sensors equipped with 5 turn dials for remote free programming. Optional remote control required to change factory sensor settings.
- LED chromaticity based on < 6-step ANSI quadrangles.
- LED color maintenance < 0.0023 chromaticity shift ($\Delta u'v'$) over the initial 6,000 hours of operation.
- Color Rendering Index > 80.

* Default kelvin temperature 4000k and highest lumen output.

** L70 & L90 hours are IES TM-21-11 calculated hours.

MOUNTING

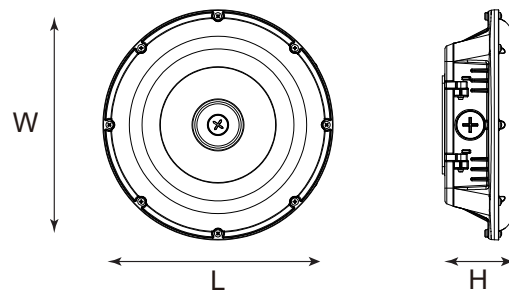
- Surface mounting.
- Optional Pendant mounting, using 3/4" threaded conduit.

CODE COMPLIANCE

- cULus listed for wet locations.
- DLC premium listed
- Complies with FCC Part 15, class A.
- IP65 rated for ingress protection.
- IK10 rated for impact protection.

WARRANTY

- 5 year warranty on all electronics and housing.



Model #	L (in)	W (in)	H (in)	Weight (lbs)
CPRSR-1110863L-3CCT	10.01	10.01	3.06	4.93

ORDERING INFORMATION

Example: CPRSR-1110863L-3CCT-WHT

Model	Nominal Lumen Output (selectable)		Kelvin (selectable)	Housing Color
CPRSR	1110863L	11,000/ 10,000/ 8,000/ 6,000/ 3,000 lm	3CCT 3000/ 4000/ 5000K	BRZ Bronze WHT White

ACCESSORIES (ORDER SEPARATELY)

Sensor

- HD09VR-PH5-1 = Passive infrared sensor - maximum mounting height = 39 FT
- HD09VR-MH5-1 = Microwave step-dimming sensor - maximum mounting height = 49 FT
- HD05R = Remote control for HD09VR series sensors

***HD09VR series has 5-dial setting capability.**

Factory settings or Sensor : detection a ea =100%, hold time = 5 sec, tand-by period = 0 sec, stand-by dimming level = 10%, daylight threshold = disabled, features turn dials for programming without remote.

LUMEN TABLES

Series	Measurements	11L Setting			10L Setting			8L Setting		
		3000K	4000K	5000K	3000K	4000K	5000K	3000K	4000K	5000K
CPRSR-1110863L-3CCT	Lumens	10,929	11,682	11,423	9,544	10,134	10,051	8,458	8,862	8,844
	Watt	74.31	71.49	74.35	63.29	61.09	63.59	54.62	52.71	54.66
	Efficacy	147.07	163.41	153.64	150.80	165.89	158.06	154.85	168.13	161.80

Series	Measurements	6L Setting			3L Setting		
		3000K	4000K	5000K	3000K	4000K	5000K
CPRSR-1110863L-3CCT	Lumens	6,319	6,594	6,669	3,171	3,221	3,356
	Watt	39.65	38.74	39.87	19.53	19.28	19.63
	Efficacy	159.37	170.21	167.27	162.37	167.06	170.96

ELECTRICAL DATA

Series	CCT	Input Amps (A)														
		11L Setting			10L Setting			8L Setting			6L Setting			3L Setting		
		120V	240V	277V	120V	240V	277V	120V	240V	277V	120V	240V	277V	120V	240V	277V
CPRSR-1110863L-3CCT	3000K	0.62	0.31	0.27	0.53	0.26	0.23	0.46	0.23	0.20	0.33	0.17	0.14	0.16	0.08	0.07
	4000K	0.60	0.30	0.26	0.51	0.25	0.22	0.44	0.22	0.19	0.32	0.16	0.14	0.16	0.08	0.07
	5000K	0.62	0.31	0.27	0.53	0.26	0.23	0.46	0.23	0.20	0.33	0.17	0.14	0.16	0.08	0.07

PHOTOMETRICS

CPRSR-1110863L-3CCT

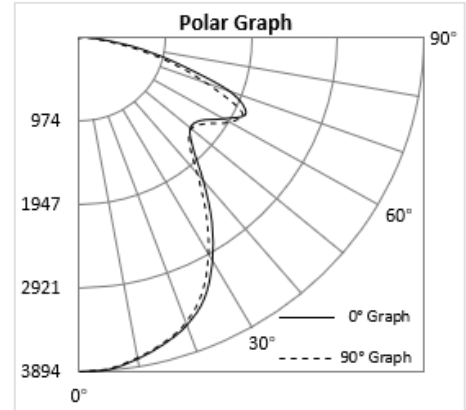
Luminaire Data

Description	Canopy, Sensor Ready CCT and Lumen Select
Total Lumens	11,682
Input Wattage	71
Efficacy (lm/W)	163
Spacing Criterion (0-180°)	1.18
Spacing Criterion (90-270°)	1.14

*Photometric calculated at
4000k and highest lumen
setting.*

Zonal Lumen Summary

Zone	Lumens	%Fixt
0-20°	1,417	12.1%
0-30°	2,964	25.4%
0-40°	4,617	39.5%
20-50°	4,656	39.9%
40-70°	4,988	42.7%
0-60°	7,612	65.2%
0-80°	10,944	93.7%
0-90°	11,410	97.7%
90-180°	272	2.3%
0-180°	11,682	100.0%



COMPATIBLE DIMMERS AND CONTROLS

Manufacturer	Model Number	Dimmer Range	Load Switching Capacity
Americanlite	DWS-010V-T	10%-100%	600W
Americanlite	DWS-010V-D	10%-100%	600W
Leviton	IP710-LFZ	10%-100%	1200W
Lutron	DVSTV	10%-100%	450W

Canopy Luminaire Sensor Ready



STANDARDS



HOUSING

- Premium powder-coat, die cast aluminum, Bronze or White housing.

ELECTRICAL

- Operating temperature (ambient): -40°C to 45°C (-40°F to 113°F).
- Universal 120-277 AC voltage (50-60Hz) is standard.
- 0-10V DC dimming drivers are standard.
- Integrated photocell is standard. Photocell can be enabled or disabled by switch.
- Input transient surge protection = 6kV.
- PF > 0.9; THD < 20%.

OPTICAL SYSTEM

- Polycarbonate lens.
- Field selectable 3000K (warm white), 4000K (neutral white) and 5000K (cool white) color temperatures.*
- Provides a range of 3,000 to 12,000 nominal lumens.*
- Long-life LEDs provide 167,000 hours of operation with at least 70% of initial lumen output (L70), and 51,000 hours with at least 90% of initial lumen output (L90).**
- Beam angle 135°.
- Screw in sensor ready. Sensor and remote control sold separately. Remote control required to change factory sensor settings.
- LED chromaticity based on < 6-step ANSI quadrangles.
- LED color maintenance < 0.0024 chromaticity shift ($\Delta u'v'$) over the initial 6,000 hours of operation.
- Color Rendering Index > 80.

* Default kelvin temperature 4000k and highest lumen output.

** L70 & L90 hours are IES TM-21-11 calculated hours.

MOUNTING

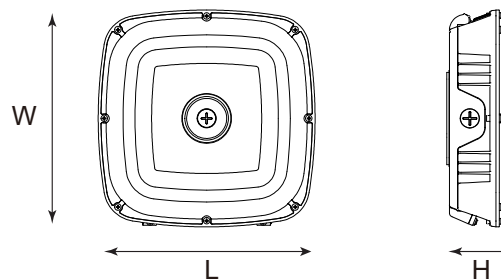
- Surface mounting.

CODE COMPLIANCE

- cULus listed for wet locations.
- DLC premium listed
- Complies with FCC Part 15, class A.
- IP65 rated for ingress protection.
- IK10 rated for impact protection.

WARRANTY

- 5 year warranty on all electronics and housing.



Model #	L (in)	W (in)	H (in)	Weight (lbs)
CPSR-1210863L-3CCT	10	10	3.18	4.69

ORDERING INFORMATION

Example: CPSR-1210863L-3CCT-WHT

Model	Nominal Lumen Output (selectable)		Kelvin (selectable)	Housing Color	
	1210863L	12,000/ 10,000/ 8,000/ 6,000/ 3,000 lm		BRZ	WHT
CPSR			3000/ 4000/ 5000K	Bronze	White

LUMEN TABLES

Model	Measurements	Lumens
		5000K
CP-11L-5K-M	Lumens	10,406
	Watt	78.48
	Efficacy	132.59

ELECTRICAL DATA

Model	CCT	Input Amps (A)		
		120V	240V	277V
CP-11L-5K-M	5000K	0.65	0.33	0.28

PHOTOMETRICS

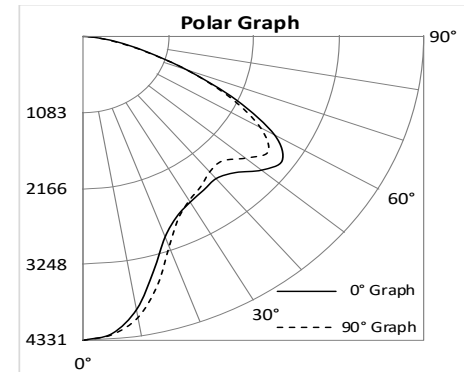
CP-11L-5K-M

Luminaire Data

Description	Canopy 11,000 lumens / 5000k
Total Lumens	10,406
Input Wattage	78
Efficacy (lm/W)	133
Spacing Criterion (0-180°)	0.9
Spacing Criterion (90-270°)	0.92

Zonal Lumen Summary

Zone	Lumens	%Fixt
0-20°	1,444	13.9%
0-30°	2,718	26.1%
0-40°	4,081	39.2%
20-50°	4,139	39.8%
40-70°	5,149	49.5%
0-60°	7,441	71.5%
0-80°	10,204	98.1%
0-90°	10,406	100.0%
90-180°	0	0.0%
0-180°	10,406	100.0%



COMPATIBLE DIMMERS AND CONTROLS

Manufacturer	Model Number	Dimmer Range	Load Switching Capacity
Americanlite	DWS-010V-T	10%-100%	600W
Americanlite	DWS-010V-D	10%-100%	600W
Leviton	IP710-LFZ	10%-100%	1200W
Lutron	DVSTV	10%-100%	450W

Canopy Luminaire Sensor Ready



STANDARDS



HOUSING

- Premium powder-coat, die cast aluminum, Bronze or White housing.

ELECTRICAL

- Operating temperature (ambient): -40°C to 45°C (-40°F to 113°F).
- Universal 120-277 AC voltage (50-60Hz) is standard.
- 0-10V DC dimming drivers are standard.
- Integrated photocell is standard. Photocell can be enabled or disabled by switch.
- Input transient surge protection = 6kV.
- PF > 0.9; THD < 20%.

OPTICAL SYSTEM

- Polycarbonate lens.
- Field selectable 3000K (warm white), 4000K (neutral white) and 5000K (cool white) color temperatures.*
- Provides a range of 3,000 to 12,000 nominal lumens.*
- Long-life LEDs provide 167,000 hours of operation with at least 70% of initial lumen output (L70), and 51,000 hours with at least 90% of initial lumen output (L90).**
- Beam angle 135°.
- Screw in sensor ready. Sensor and remote control sold separately. Remote control required to change factory sensor settings.
- LED chromaticity based on < 6-step ANSI quadrangles.
- LED color maintenance < 0.0024 chromaticity shift ($\Delta u'v'$) over the initial 6,000 hours of operation.
- Color Rendering Index > 80.

* Default kelvin temperature 4000k and highest lumen output.

** L70 & L90 hours are IES TM-21-11 calculated hours.

MOUNTING

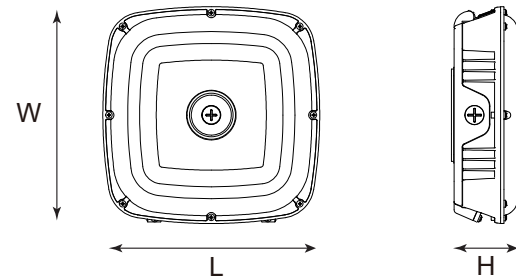
- Surface mounting.

CODE COMPLIANCE

- cULus listed for wet locations.
- DLC premium listed
- Complies with FCC Part 15, class A.
- IP65 rated for ingress protection.
- IK10 rated for impact protection.

WARRANTY

- 5 year warranty on all electronics and housing.



Model #	L (in)	W (in)	H (in)	Weight (lbs)
CPSR-1210863L-3CCT	10	10	3.18	4.69

ORDERING INFORMATION

Example: CPSR-1210863L-3CCT-WHT

Model	Nominal Lumen Output (selectable)		Kelvin (selectable)		Housing Color
	CPSR	1210863L	12,000/ 10,000/ 8,000/ 6,000/ 3,000 lm	3CCT	3000/ 4000/ 5000K

ACCESSORIES (ORDER SEPARATELY)

Sensor

- HD09VR-PH5-1 = Passive infrared sensor - maximum mounting height = 39 FT
 - HD09VR-MH5-1 = Microwave step-dimming sensor - maximum mounting height = 49 FT
 - HD05R = Remote control for HD09VR series Sensors (required to change factory settings)
- *HD09VR series has 5-dial setting capability.**

Factory settings or Sensor : detection a ea =100%, hold time = 5 sec, tand-by period = 0 sec, stand-by dimming level = 10%, daylight threshold = disabled

LUMEN TABLES

Series	Measurements	20W			40W			60W		
		3000K	4000K	5000K	3000K	4000K	5000K	3000K	4000K	5000K
CPSR-1210863L-3CCT	Lumens	3,334	3,393	3,549	6,406	6,701	6,819	8,319	8,808	8,892
	Watt	20.16	19.92	20.28	39.71	38.86	39.9	53.27	51.75	53.63
	Efficacy	165.38	170.33	175.00	161.32	172.44	170.90	156.17	170.20	165.80

Series	Measurements	68W			75W		
		3000K	4000K	5000K	3000K	4000K	5000K
CPSR-1210863L-3CCT	Lumens	9,539	10,143	10,153	10,938	11,715	11,556
	Watt	62.34	60.21	62.61	72.95	70.36	72.95
	Efficacy	153.02	168.46	162.16	149.94	166.50	158.41

ELECTRICAL DATA

Series	CCT	Input Amps (A)														
		20W			40W			60W			68W			75W		
		120V	240V	277V	120V	240V	277V	120V	240V	277V	120V	240V	277V	120V	240V	277V
CPSR-1210863L-3CCT	3000K	0.17	0.08	0.07	0.33	0.17	0.14	0.44	0.22	0.19	0.52	0.26	0.23	0.61	0.30	0.26
	4000K	0.17	0.08	0.07	0.32	0.16	0.14	0.43	0.22	0.19	0.50	0.25	0.22	0.59	0.29	0.25
	5000K	0.17	0.08	0.07	0.33	0.17	0.14	0.45	0.22	0.19	0.52	0.26	0.23	0.61	0.30	0.26

PHOTOMETRICS

CPSR-1210863L-3CCT

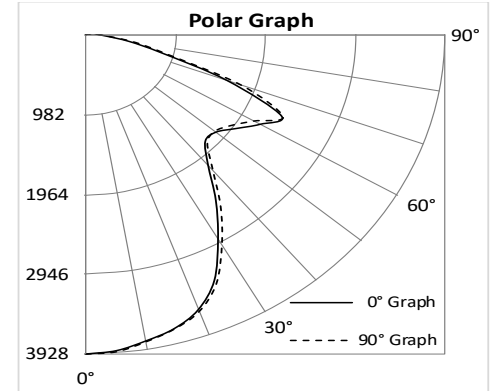
Luminaire Data

Description	Canopy, Sensor Ready CCT and Lumen Select
Total Lumens	11,715
Input Wattage	70
Efficacy (lm/W)	167
Spacing Criterion (0-180°)	1.14
Spacing Criterion (90-270°)	1.16

Photometric calculated at 4000k and highest lumen setting.

Zonal Lumen Summary

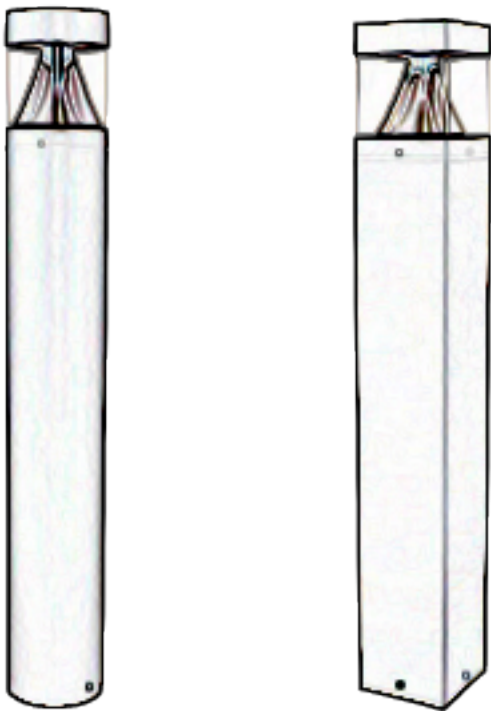
Zone	Lumens	%Fixt
0-20°	1,432	12.2%
0-30°	3,003	25.6%
0-40°	4,674	39.9%
20-50°	4,723	40.3%
40-70°	4,973	42.5%
0-60°	7,683	65.6%
0-80°	11,036	94.2%
0-90°	11,514	98.3%
90-180°	201	1.7%
0-180°	11,715	100.0%



COMPATIBLE DIMMERS AND CONTROLS

Manufacturer	Model Number	Dimmer Range	Load Switching Capacity
Americanlite	DWS-010V-T	10%-100%	600W
Americanlite	DWS-010V-D	10%-100%	600W
Leviton	IP710-LFZ	10%-100%	1200W
Lutron	DVSTV	10%-100%	450W

Bollard



Round & Square Bollards – Lumen & Kelvin Field Selectable

STANDARD



FEATURES

- Field selectable 3000k (warm white), 4000k (neutral white), and 5000k (cool white) color temperatures.*
- Long-life LEDs provide at least 70% of initial lumen output (L_{70}) for $\geq 163,000$ hours of operation, and at least 90% of initial lumen output (L_{90}) for $\geq 50,000$ hours of operation.**
- LED chromaticity based on ≤ 5 -step ANSI quadrangles.
- LED color maintenance ≤ 0.003 chromaticity shift ($\Delta u'v'$) over the initial 6,000 hours of operation.
- Provides a range of 905 to 3,296 nominal lumens and 69 to 148 nominal lumens per watt (lm/W).
- 0-10vdc dimming drivers, are standard.
- Universal 120-277 AC voltage (50-60Hz) is standard.
- Power factor > 0.90 .
- Total harmonic distortion $< 20\%$.
- Color rendering index (R_a) > 80 .
- Cast aluminum housing with choice of dark bronze or black powder coat finish.
- High-impact, polycarbonate lens.
- Easy installation in new construction or retrofit applications.

WARRANTY & LISTINGS

- cULus listed for wet locations in ambient temperatures from -40°C to 55°C (-40°F to 131°F).
- IP65 rated for ingress protection.
- DLC premium approved.***
- Complies with FCC Part 15, class A.
- Surge protection = 4kV.
- 5-year warranty of all electronics and housing.

* Contact factory for other color temperatures and lumen packages.
 ** L_{70} & L_{90} hours are IES TM-21-11 calculated hours.
 *** Excluding BOL-RDL models. BOL-RDL models are not DLC listed.



DIMENSIONS



MODEL	L	W/Ø	H	Weight (lbs)
BOL-S	6	6	42	12
BOL-R	6	6	42	15
BOL-RD	6	6	44	12
BOL-RDL	6	6	44	13

NOTE: All dimensions measured in inches.

ORDERING INFORMATION

Example: BOL-R-3L-LKFS-BLK

Series	Model		Nominal Lumen Output		Select	Housing Color		Required Mounting Means Order Separately	
						BLK	Black Bronze	BOL-R-MTGKIT	Anchor bolt for round bollard
BOL	R	Round	3L	3,000 lm	LKFS	BLK	Black Bronze	BOL-R-MTGKIT	Anchor bolt for round bollard
	S	Square						BOL-S-MTGKIT	Anchor bolt for square bollard
	RD	Round Dome	2L	2,000 lm					
RDL	Round Dome Louvered								

ELECTRICAL DATA

Series	Measurements	Low Lumens			Mid Lumens			High Lumens		
		3000K	4000K	5000K	3000K	4000K	5000K	3000K	4000K	5000K
BOL-R-3L-LKFS	Lumens	1827	1974	1942	2507	2686	2665	3090	3244	3296
	Watts	13	14	13	18	19	18	23	22	23
	Efficacy	139	144	148	138	145	146	134	145	144
	Input Current (A)	120V = 0.11A	120V = 0.12A	120V = 0.11A	120V = 0.15A	120V = 0.16A	120V = 0.15A	120V = 0.19A	120V = 0.18A	120V = 0.19A
240V = 0.05A		240V = 0.06A	240V = 0.05A	240V = 0.08A	240V = 0.08A	240V = 0.08A	240V = 0.10A	240V = 0.09A	240V = 0.10A	
277V = 0.05A		277V = 0.05A	277V = 0.05A	277V = 0.06A	277V = 0.07A	277V = 0.06A	277V = 0.08A	277V = 0.08A	277V = 0.08A	

Series	Measurements	Low Lumens			Mid Lumens			High Lumens		
		3000K	4000K	5000K	3000K	4000K	5000K	3000K	4000K	5000K
BOL-S-3L-LKFS	Lumens	1702	1790	1805	2303	2450	2459	2887	3047	3041
	Watts	13	14	13	18	18	19	23	23	23
	Efficacy	128	132	135	125	134	133	125	135	131
	Input Current (A)	120V = 0.11A	120V = 0.12A	120V = 0.11A	120V = 0.15A	120V = 0.15A	120V = 0.16A	120V = 0.19A	120V = 0.19A	120V = 0.19A
240V = 0.05A		240V = 0.06A	240V = 0.05A	240V = 0.08A	240V = 0.08A	240V = 0.08A	240V = 0.10A	240V = 0.10A	240V = 0.10A	
277V = 0.05A		277V = 0.05A	277V = 0.05A	277V = 0.06A	277V = 0.06A	277V = 0.07A	277V = 0.08A	277V = 0.08A	277V = 0.08A	

Series	Measurements	Low Lumens			Mid Lumens			High Lumens		
		3000K	4000K	5000K	3000K	4000K	5000K	3000K	4000K	5000K
BOL-RD-3L-LKFS	Lumens	1819	1818	1895	2512	2530	2614	3103	3249	3251
	Watts	13	12	13	18	17	18	23	22	23
	Efficacy	140	148	146	138	147	144	136	146	143
	Input Current (A)	120V = 0.11A	120V = 0.10A	120V = 0.11A	120V = 0.15A	120V = 0.14A	120V = 0.15A	120V = 0.19A	120V = 0.18A	120V = 0.19A
240V = 0.05A		240V = 0.05A	240V = 0.05A	240V = 0.08A	240V = 0.07A	240V = 0.08A	240V = 0.10A	240V = 0.09A	240V = 0.10A	
277V = 0.05A		277V = 0.04A	277V = 0.05A	277V = 0.06A	277V = 0.06A	277V = 0.06A	277V = 0.08A	277V = 0.08A	277V = 0.08A	

Series	Measurements	Low Lumens			Mid Lumens			High Lumens		
		3000K	4000K	5000K	3000K	4000K	5000K	3000K	4000K	5000K
BOL-RDL-2L-LKFS	Lumens	905	973	983	1263	1351	1359	1573	1692	1687
	Watts	13	12	13	18	17	18	23	22	23
	Efficacy	71	79	77	71	78	76	69	76	74
	Input Current (A)	120V = 0.11A	120V = 0.10A	120V = 0.11A	120V = 0.15A	120V = 0.14A	120V = 0.15A	120V = 0.19A	120V = 0.18A	120V = 0.19A
240V = 0.05A		240V = 0.05A	240V = 0.05A	240V = 0.08A	240V = 0.07A	240V = 0.08A	240V = 0.10A	240V = 0.09A	240V = 0.10A	
277V = 0.05A		277V = 0.04A	277V = 0.05A	277V = 0.06A	277V = 0.06A	277V = 0.06A	277V = 0.08A	277V = 0.08A	277V = 0.08A	

PHOTOMETRIC DATA

BOL-R-3L-LKFS

Luminaire Data

Description	BOLLARD (ROUND) 3L 5K - LKFS
Total Lumens	3,296
Input Wattage	23
Efficacy (lm/W)	144
Max. Cd.	815.81 (67.5H, 53V)
IES Classification	Type VS
Longitudinal Classification	Short

Zonal Lumen Summary

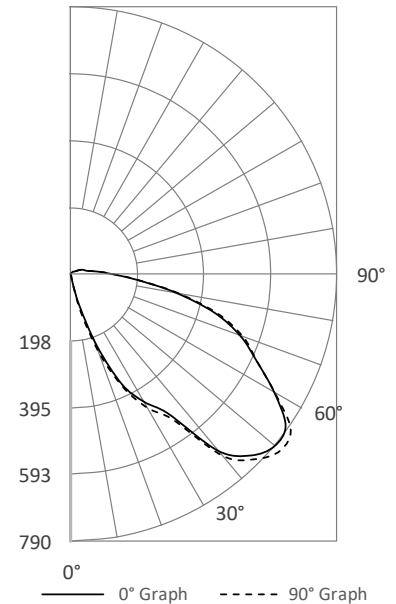
Zone	Lumens	%Fixt
0-30°	201	6.1%
0-60°	1,823	55.3%
0-80°	2,890	87.7%
80-90°	225	6.8%
0-90°	3,115	94.5%
90-110°	134	4.1%
110-180°	0	0.0%
0-180°	3,296	100.0%

Luminaire Classification Systems (LCS)

LCS Zone	Lumens	%Lum
FL 0-30	99	3.0%
FM 30-60	813	24.7%
FH 60-80	540	16.4%
FVH 80-90	116	3.5%
BL 0-30	101	3.1%
BM 30-60	809	24.5%
BH 60-80	527	16.0%
BVH 80-90	109	3.3%
UL 90-100	89	2.7%
UH 100-180	93	2.8%
Total	3,296	100.0%
BUG Rating	B2-U3-G2	

Photometrics calculated at 5000k - high lumens setting

180° Polar Graph



BOL-S-3L-LKFS

Luminaire Data

Description	BOLLARD (SQUARE) 3L 5K - LKFS
Total Lumens	3,041
Input Wattage	23
Efficacy (lm/W)	132
Max. Cd.	843.54 (270H, 53V)
IES Classification	Type VS
Longitudinal Classification	Short

Zonal Lumen Summary

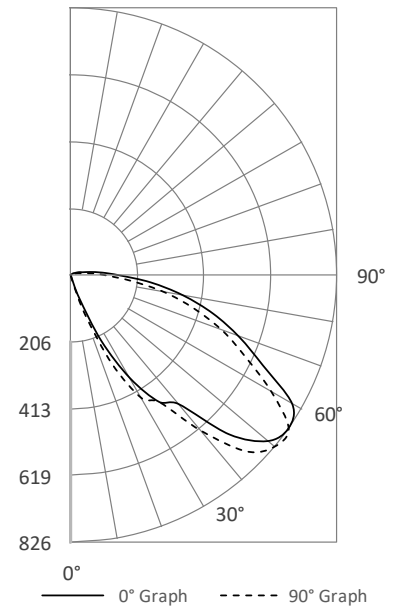
Zone	Lumens	%Fixt
0-30°	114	3.8%
0-60°	1,611	53.0%
0-80°	2,646	87.0%
80-90°	230	7.6%
0-90°	2,876	94.6%
90-110°	126	4.1%
110-180°	0	0.0%
0-180°	3,041	100.0%

Luminaire Classification Systems (LCS)

LCS Zone	Lumens	%Lum
FL 0-30	47	1.6%
FM 30-60	738	24.3%
FH 60-80	552	18.2%
FVH 80-90	132	4.3%
BL 0-30	67	2.2%
BM 30-60	760	25.0%
BH 60-80	482	15.9%
BVH 80-90	98	3.2%
UL 90-100	89	2.9%
UH 100-180	76	2.5%
Total	3,041	99.9%
BUG Rating	B1-U3-G2	

Photometrics calculated at 5000k - high lumens setting

180° Polar Graph



PHOTOMETRIC DATA

BOL-RD-3L-LKFS

Luminaire Data

Description	BOLLARD (ROUND DOME) 3L 5K - LKFS
Total Lumens	3,251
Input Wattage	23
Efficacy (lm/W)	143
Max. Cd.	765.57 (45H, 52V)
IES Classification	Type VS
Longitudinal Classification	Very Short

Zonal Lumen Summary

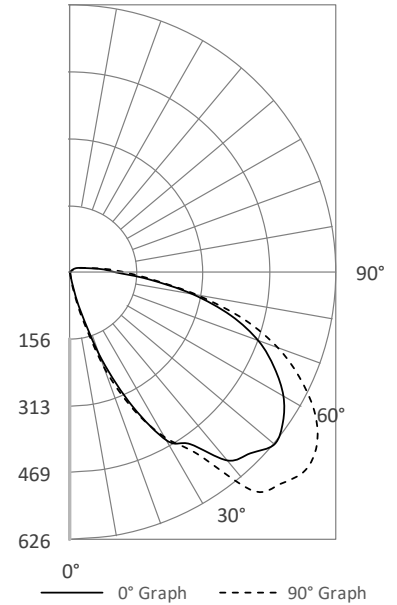
Zone	Lumens	%Fixt
0-30°	200	6.2%
0-60°	1,724	53.0%
0-80°	2,790	85.8%
80-90°	240	7.4%
0-90°	3,030	93.2%
90-110°	161	5.0%
110-180°	0	0.0%
0-180°	3,251	100.0%

Luminaire Classification Systems (LCS)

LCS Zone	Lumens	%Lum
FL 0-30	96	3.0%
FM 30-60	756	23.3%
FH 60-80	539	16.6%
FVH 80-90	124	3.8%
BL 0-30	104	3.2%
BM 30-60	768	23.6%
BH 60-80	528	16.2%
BVH 80-90	116	3.6%
UL 90-100	110	3.4%
UH 100-180	111	3.4%
Total	3,251	100.0%
BUG Rating	B2-U3-G2	

Photometrics calculated at 5000k - high lumens setting

180° Polar Graph



BOL-RDL-2L-LKFS

Luminaire Data

Description	BOLLARD (RDL) 2L 5K - LKFS
Total Lumens	1,688
Input Wattage	23
Efficacy (lm/W)	74
Max. Cd.	292.72 (225H, 67V)
IES Classification	Type VS
Longitudinal Classification	Short

Zonal Lumen Summary

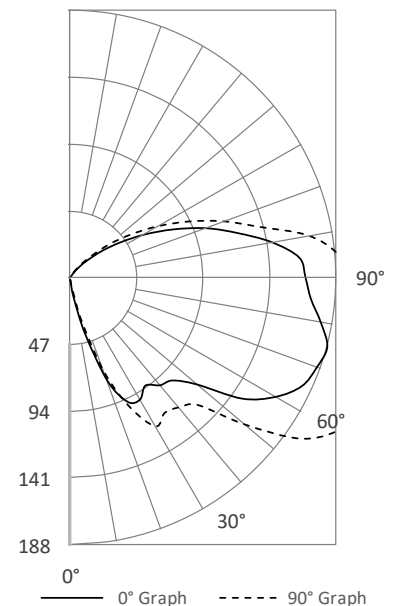
Zone	Lumens	%Fixt
0-30°	61	3.6%
0-60°	455	27.0%
0-80°	959	56.8%
80-90°	231	13.7%
0-90°	1,190	70.5%
90-110°	345	20.4%
110-180°	0	0.0%
0-180°	1,688	100.0%

Luminaire Classification Systems (LCS)

LCS Zone	Lumens	%Lum
FL 0-30	32	1.9%
FM 30-60	201	11.9%
FH 60-80	253	15.0%
FVH 80-90	115	6.8%
BL 0-30	29	1.7%
BM 30-60	192	11.4%
BH 60-80	250	14.8%
BVH 80-90	116	6.9%
UL 90-100	202	12.0%
UH 100-180	296	17.5%
Total	1,688	100.0%
BUG Rating	B1-U3-G2	

Photometrics calculated at 5000k - high lumens setting

180° Polar Graph



UFO Head Bollard Lumen & Kelvin Selectable

STANDARDS



HOUSING

- Premium powder-coat, aluminum, dark bronze or black housing.

ELECTRICAL

- Operating temperature (ambient): -40°C to 60°C (-40°F to 140°F).
- Universal 120-277V AC voltage (50-60Hz) is standard.
- 0-10VDC dimming drivers are standard.
- Input transient surge protection = 4kV.
- Power factor > 0.90.
- Total Harmonic distortion < 20%.

OPTICAL SYSTEM

- High-impact, Polycarbonate Lens.
- Field selectable 3000k(warm white), 4000k (neutral white) and 5000k (cool white) color temperatures*.
- Tri-lumen selectable delivers 1,700 to 3,000 nominal lumens*.
- Long-life LEDs provide 192,000 hours of operation with at least 70% of initial lumen output (L70),and 58,000 hours with at least 90% of initial lumen output (L90)**.
- LED color maintenance ≤ 0.00313 chromaticity shift ($\Delta u'v'$) over the initial 6,000 hours of operation.
- Color rendering index > 70.

* Default 4000k color temperature and highest lumen output.

**L70 & L90 hours are IES TM-21-11 calculated hours.



MOUNTING

- Anchor Bolt mount kit

CODE COMPLIANCE

- cULus certified for wet locations.
- DLC Premium listed.
- Complies with FCC part 15, class A.
- IP65 rated for ingress protection.
- IK10 rated for impact protection.

WARRANTY

- 5 year warranty on all electronics and housing.



Model #	L (in)	W (in)	B (in)	H (in)	Weight (lbs)
BOL-UFO-302317L-3CCT	9.76	9.76	6.3	42.25	13.22

ORDERING INFORMATION

Example: BOL-UFO-302317L-3CCT

Series	Nominal Lumen Output (Selectable)		Kelvin Selectable	Housing Color
BOL-UFO	302317L	3,000 / 2,300 / 1,700 lm	3CCT 3K / 4K / 5K	Blank Dark Bronze BLK Black

ACCESSORIES (ORDER SEPARATELY)

Mounting:

BOL-R-MTGKIT = Round Bollard Anchor Bolt Mounting Kit

LUMEN TABLES

Series	Measurements	Low Lumens			Mid Lumens			High Lumens		
		3000K	4000K	5000K	3000K	4000K	5000K	3000K	4000K	5000K
BOL-UFO-302317L-3CCT	Lumens	1,725	1,770	1,784	2,316	2,385	2,373	2,927	3,019	2,992
	Watt	13.32	13.15	13.47	18.19	17.86	18.31	23.52	22.96	23.63
	Efficacy	130	135	132	127	134	130	124	131	127

ELECTRICAL DATA

Series	CCT	Input Amps (A)								
		Low Lumens			Mid Lumens			High Lumens		
		120V	240V	277V	120V	240V	277V	120V	240V	277V
BOL-UFO-302317L-3CCT	3000k	0.11	0.06	0.05	0.15	0.08	0.07	0.20	0.10	0.08
	4000k	0.11	0.05	0.05	0.15	0.07	0.06	0.19	0.10	0.08
	5000k	0.11	0.06	0.05	0.15	0.08	0.07	0.20	0.10	0.09

PHOTOMETRICS

BOL-UFO-302317L-3CCT

Luminaire Data

Description	BOLLARD (UFO) Highest power, 4K CCT
Total Lumens	3,019
Input Wattage	23
Efficacy (lm/W)	132
Max. Cd.	1189.1 (292.5H, 57V)
IES Classification	Type III
Longitudinal Classification	Short

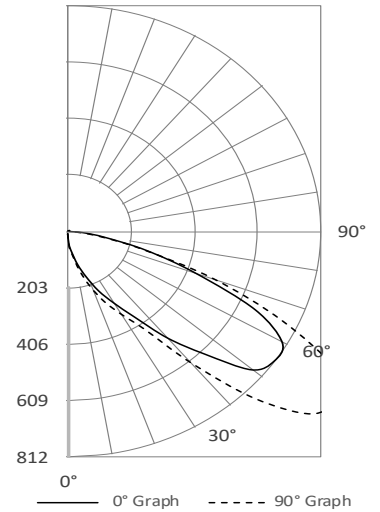
Zonal Lumen Summary

Zone	Lumens	%Fixt
0-30°	165	5.5%
0-60°	1,886	62.5%
0-80°	2,947	97.6%
80-90°	53	1.7%
0-90°	3,000	99.3%
90-110°	9	0.3%
110-180°	0	0.0%
0-180°	3,019	100.0%

Luminaire Classification Systems (LCS)

LCS Zone	Lumens	%Lum
FL 0-30	79	2.6%
FM 30-60	842	27.9%
FH 60-80	542	17.9%
FVH 80-90	27	0.9%
BL 0-30	86	2.9%
BM 30-60	878	29.1%
BH 60-80	519	17.2%
BVH 80-90	26	0.9%
UL 90-100	5	0.1%
UH 100-180	15	0.5%
Total	3,020	100.0%
BUG Rating	B2-U2-G2	

180° Polar Graph



COMPATIBLE DIMMERS AND CONTROLS

Manufacturer	Model Number	Dimmer Range	Load Switching Capacity
Americanlite	DWS-010V-T	10%-100%	600W
Americanlite	DWS-010V-D	10%-100%	600W
Leviton	IP710-LFZ	10%-100%	1200W
Lutron	DVSTV	10%-100%	450W



Warranty

Americanlite® is pleased to provide a 5 year limited warranty covering the fixtures and lamps in this catalogue. Americanlite® warrants that the fixtures comply with Americanlite®'s published specifications and are free from defects in materials and workmanship.

All our equipment is CE, TUV, FCC or UL approved and manufactured with approved components. Americanlite® reserves the right to change or improve the design or components of any of its products due to parts availability or changes in standards, without assuming any obligation to modify any product previously manufactured and without notice. All equipment is tested and inspected before shipment.

This warranty is void if the product is operated outside of its normal operating conditions. The foregoing warranty does not apply to failures caused by acts of God or as a result of any abuse, misuse, abnormal use, or use in violation of any applicable standard, code or instructions for use in installations, including, but not limited to, those contained in the Standards for the International Electrotechnical Commission. Americanlite® reserves and has the right to examine failed ballast to determine the cause of failure, excessive lumen depreciation and patterns of usage.