



INDOOR LIGHTING

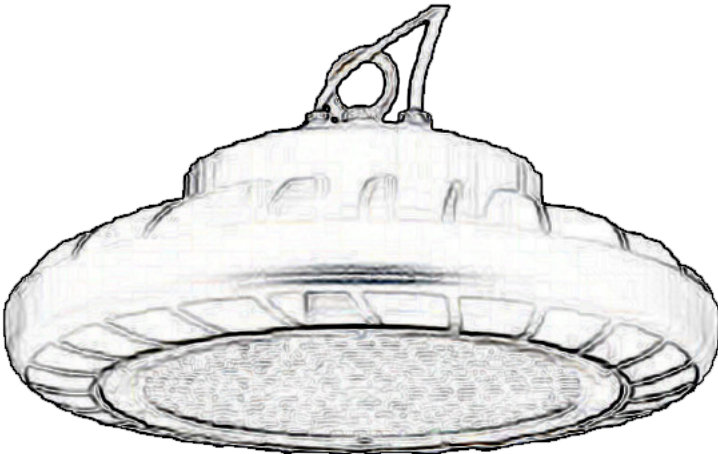
USA QuickShip program

americanlite®

We light your world™



Industrial



HighBay Round Sensor Ready Lumens & Kelvin Selectable

STANDARDS



HOUSING

- Premium powder-coat, die cast aluminum, black or white housing.

ELECTRICAL

- Operating temperature (ambient): -40°C to 50°C (-40°F to 122°F).
- Universal 120-277V AC voltage (50-60Hz) is standard.
- 347-480V achieved with step-down transformer (sold separately).
- 0-10VDC dimming drivers are standard.
- Incoming AC power cord = 6'. Incoming dimming cord = 6'.
- Watertight, compression-type electrical connectors.
- Input transient surge protection = 6kV.
- Power factor > 0.90.
- Total harmonic distortion < 20%.

OPTICAL SYSTEM

- Polycarbonate lens.
- Field selectable 4000k (neutral white) and 5000k (cool white) color temperatures*.
- Tri-lumen selectable delivers 16,000 to 35,000 nominal lumens (see lumen tables on page 3)*.
- Screw in sensor ready. Sensor and remote control sold separately. Remote control required to change factory sensor settings (see default settings on page 2).
- Long-life LEDs provide 146,000 hours of operation with at least 70% of initial lumen output (L70), and 44,000 hours with at least 90% of initial lumen output (L90)**.
- LED color maintenance < 0.003 chromaticity shift ($\Delta u'v'$) over the initial 6,000 hours of operation.
- Color rendering index > 80.

* Default kelvin temperature 4000k and highest lumen output.

**L70 & L90 hours are IES TM-21-11 calculated hours.



MOUNTING

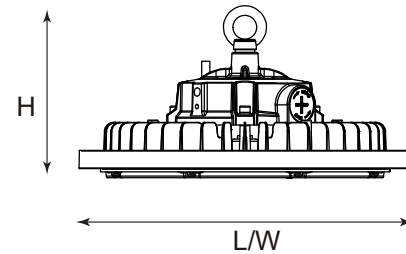
- Suspension from eyebolt (included) is standard.
- Ceiling-mounted installation using optional yoke mounting bracket, provides up to 180° of adjustability.
- Two ways to mount luminaire to electrical conduit:
 - Attach conduit (1/2" NPS) to optional yoke mounting bracket.
 - Optional pendant snap hook (for use with 3/4" NPS).

CODE COMPLIANCE

- cULus listed for wet locations.
- Premium DLC standard listed.
- Complies with FCC part 15, class A.
- IP65 rated for ingress protection.
- IK09 rated for lens impact protection.

WARRANTY

- 5 year warranty on all electronics and housing.



| Model # | L (in) | W (in) | H (in) | Weight (lbs) |
|--------------------|--------|--------|--------|--------------|
| HBRSR-221816L-4K5K | 10.6 | 10.6 | 5.5 | 3.7 |
| HBRSR-353024L-4K5K | 13 | 13 | 5.6 | 6 |

ORDERING INFORMATION

Example: HBRSR-221816L-4K5K-WHT

| Series | Nominal Lumen Output (Selectable) | | Kelvin Selectable | Housing Color | | |
|--------|-----------------------------------|---------------------------|-------------------|---------------|--------------------------|------------|
| | 221816L | 22,000/ 18,000/ 16,000 lm | | 353024L | 35,000/ 30,000/ 24,000lm | BLK WHT |
| HBRSR | | | 4K5K | | | |

ACCESSORIES (ORDER SEPARATELY)

Sensor

- HD07VR-PH-1 = Passive infrared sensor - maximum mounting height = 39 FT.
- HD07VR-MH-B-1 = Microwave step-dimming sensor - maximum mounting height = 49 FT.
- HD09VR-PH5-1* = Passive infrared sensor - maximum mounting height = 39FT.
- HD09VR-MH5-1* = Microwave step-dimming sensor - maximum mounting height = 49FT.
- HD05R = Remote control for HD07VR-PH-1, HD07VR-MH-B-1, HD09VR-PH5-1 & HD09VR-MH5-1(required to change factory settings).
*HD09VR series has 5-dial setting capability.

Factory settings or Sensor : detection a ea =100%, hold time = 5 sec, tand-by period = 0 sec, stand-by dimming level = 10%, daylight threshold = disabled

Step-down Transformers

- HBSD-325W-480-277 = 347-480V step-down transformer - all models

Reflec ors

- HBR SR-ALREF-S = 90° aluminum reflector - HBR SR-221816L-4K5K models
- HBR SR-PCREF-S = 90° polycarbonate reflector - HBR SR-221816L-4K5K models
- HBR SR-ALREF-L = 90° aluminum reflector - HBR SR-353024L-4K5K models
- HBR SR-PCREF-L = 90° polycarbonate reflector - HBR SR-353024L-4K5K-4K5K models

Mounting O tion

- HBR SR-YOKE-WHT = Yoke mount - all models - white
- HBR SR-YOKE-BLK = Yoke mount - all models - black
- LEDHBR SN-PSH-PRM-V2 = Pendant snap hook - all models

Emergency Ba eryl Back-up

- BLEM-INDRV-HBR30W = 30W Emergency Driver. Emergency
- BLEM-INDRV-HBR40W = 40W Emergency Driver. Emergency
- BLEM-INDRV-HBR60W = 60W Emergency Driver. Emergency

COMPATIBLE DIMMERS AND CONTROLS

| Manufacturer | Model Number | Dimmer Range | Load Switching Capacity |
|--------------|--------------|--------------|-------------------------|
| Americanlite | DWS-010V-T | 10%-100% | 600W |
| Americanlite | DWS-010V-D | 10%-100% | 600W |
| Leviton | IP710-LFZ | 10%-100% | 1200W |
| Lutron | DVSTV | 10%-100% | 450W |

LUMEN TABLES

| Series | Measurements | Low Lumens | | Mid Lumens | | High Lumens | |
|---------------------|--------------|------------|--------|------------|--------|-------------|--------|
| | | 4000K | 5000K | 4000K | 5000K | 4000K | 5000K |
| HBR SR-221816L-4K5K | Lumens | 15,891 | 15,522 | 18,790 | 18,218 | 22,935 | 21,802 |
| | Watts | 95 | 97 | 115 | 118 | 147 | 150 |
| | Efficacy | 168 | 161 | 163 | 155 | 156 | 145 |

| Series | Measurements | Low Lumens | | Mid Lumens | | High Lumens | |
|---------------------|--------------|------------|--------|------------|--------|-------------|--------|
| | | 4000K | 5000K | 4000K | 5000K | 4000K | 5000K |
| HBR SR-353024L-4K5K | Lumens | 24,368 | 23,920 | 30,801 | 29,953 | 35,716 | 34,621 |
| | Watts | 146 | 148 | 192 | 196 | 229 | 236 |
| | Efficacy | 167 | 161 | 161 | 153 | 156 | 147 |

ELECTRICAL DATA

| Series | CCT | Input Amps (A) | | | | | | | | |
|---------------------|-------|----------------|------|------|------------|------|------|-------------|------|------|
| | | Low Lumens | | | Mid Lumens | | | High Lumens | | |
| | | 120V | 240V | 277V | 120V | 240V | 277V | 120V | 240V | 277V |
| HBR SR-221816L-4K5K | 4000K | 0.79 | 0.40 | 0.34 | 0.96 | 0.48 | 0.42 | 1.23 | 0.61 | 0.53 |
| | 5000K | 0.81 | 0.40 | 0.35 | 0.98 | 0.49 | 0.43 | 1.25 | 0.63 | 0.54 |

| Series | CCT | Input Amps (A) | | | | | | | | |
|---------------------|-------|----------------|------|------|------------|------|------|-------------|------|------|
| | | Low Lumens | | | Mid Lumens | | | High Lumens | | |
| | | 120V | 240V | 277V | 120V | 240V | 277V | 120V | 240V | 277V |
| HBR SR-353024L-4K5K | 4000K | 1.22 | 0.61 | 0.53 | 1.60 | 0.80 | 0.69 | 1.91 | 0.95 | 0.83 |
| | 5000K | 1.23 | 0.62 | 0.53 | 1.63 | 0.82 | 0.71 | 1.97 | 0.98 | 0.85 |

PHOTOMETRICS

HBRSR-221816L-4K5K

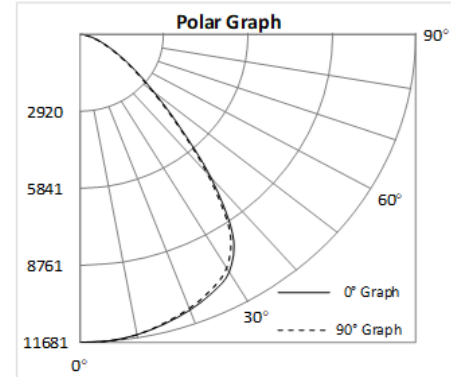
Luminaire Data

| | |
|-----------------------------|---|
| Description | Round High Bay Lumen/Kelvin Selectable |
| Total Lumens | 21,803 |
| Input Wattage | 150 |
| Efficacy (lm/W) | 145 |
| Spacing Criterion (0-180°) | 1.3 |
| Spacing Criterion (90-270°) | 1.28 |

Photometrics calculated at
5000k - high lumens setting

Zonal Lumen Summary

| Zone | Lumens | %Fixt |
|---------|--------|--------|
| 0-20° | 4,293 | 19.7% |
| 0-30° | 9,222 | 42.3% |
| 0-40° | 14,678 | 67.3% |
| 20-50° | 14,029 | 64.3% |
| 40-70° | 6,597 | 30.3% |
| 0-60° | 20,287 | 93.0% |
| 0-80° | 21,704 | 99.5% |
| 0-90° | 21,803 | 100.0% |
| 90-180° | 0 | 0.0% |
| 0-180° | 21,803 | 100.0% |



BRSR-353024L-4K5K

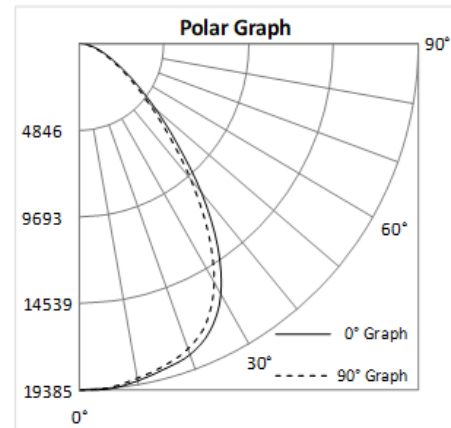
Luminaire Data

| | |
|-----------------------------|---|
| Description | Round High Bay Lumen/Kelvin Selectable |
| Total Lumens | 34,628 |
| Input Wattage | 236 |
| Efficacy (lm/W) | 147 |
| Spacing Criterion (0-180°) | 1.24 |
| Spacing Criterion (90-270°) | 1.2 |

Photometrics calculated at
5000k - high lumens setting

Zonal Lumen Summary

| Zone | Lumens | %Fixt |
|---------|--------|--------|
| 0-20° | 7,096 | 20.5% |
| 0-30° | 14,949 | 43.2% |
| 0-40° | 22,917 | 66.2% |
| 20-50° | 21,399 | 61.8% |
| 40-70° | 10,642 | 30.7% |
| 0-60° | 31,779 | 91.8% |
| 0-80° | 34,413 | 99.4% |
| 0-90° | 34,628 | 100.0% |
| 90-180° | 0 | 0.0% |
| 0-180° | 34,628 | 100.0% |



PLUGS AND CORDS

When ordering a plug, use the following suffix choices.

Example: HBRSR-181512L-4K5K-P515

Note: Cords & plugs do not affect the ability to install sensors.

| Part number suffix | Description | For use with |
|--------------------|---------------------------------|--------------|
| P515 | NEMA plug - 120V 15A | All models |
| P615 | NEMA plug - 240V 15A | |
| P715 | NEMA plug - 277V 15A | |
| P520 | NEMA plug - 120V 20A | |
| P620 | NEMA plug - 240V 20A | |
| P515L | NEMA plug twist-lock - 120V 15A | |
| P615L | NEMA plug twist-lock - 240V 15A | |
| P715L | NEMA plug twist-lock - 277V 15A | |
| P520L | NEMA plug twist-lock - 120V 20A | |
| P620L | NEMA plug twist-lock - 240V 20A | |
| P720L | NEMA plug twist-lock - 277V 20A | |

High Bay Round - 277-480VAC Sensor-Ready Lumens & Kelvin Selectable

STANDARDS



HOUSING

- Premium powder-coat, die cast aluminum, black or white housing.

ELECTRICAL

- Operating temperature (ambient): -40°C to 50°C (-40°F to 122°F).
- Universal 277-480V AC voltage (50-60Hz) is standard.
- 0-10VDC dimming drivers are standard.
- Consult your representative for Emergency back-up options available.
- Incoming AC power cord = 6'. Incoming dimming cord = 6'.
- Watertight, compression-type electrical connectors.
- Input transient surge protection = 6kV.
- Power factor > 0.90.
- Total harmonic distortion < 20%.

OPTICAL SYSTEM

- Polycarbonate lens.
- Field selectable 3000k (warm white), 4000k (neutral white) and 5000k (cool white) color temperatures*.
- HBRSR-221816L provides a range of 15,094 to 23,100 nominal lumens*.
- HBRSR-353024L provides a range of 22,629 to 36,442 nominal lumens*.
- Screw in sensor ready. Sensor and remote control sold separately. Remote control required to change factory sensor settings (see default settings on page 2).
- Long-life LEDs provide 167,000 hours of operation with at least 70% of initial lumen output (L70), and 51,000 hours with at least 90% of initial lumen output (L90)**.
- LED color maintenance < 0.003 chromaticity shift ($\Delta u'v'$) over the initial 6,000 hours of operation.
- Color rendering index > 80.

* Default kelvin temperature 4000k and highest lumen output.
 **L70 & L90 hours are IES TM-21-11 calculated hours.



MOUNTING

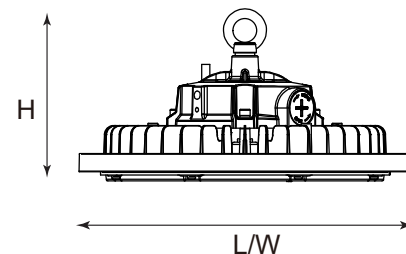
- Suspension from eyebolt (included) is standard.
- Ceiling-mounted installation using optional yoke mounting bracket, provides adjustable aiming.
- Two ways to mount luminaire to electrical conduit:
 - Attach conduit (1/2" NPS) to optional yoke mounting bracket.
 - Optional pendant snap hook (for use with 3/4" NPS).

CODE COMPLIANCE

- cULus listed for wet locations.
- DLC Premium listed.
- Complies with FCC part 15, class A.
- IP65 rated for ingress protection.
- IK09 rated for Lens impact protection.

WARRANTY

- 5 year warranty on all electronics and housing.



| Model # | L (in) | W (in) | H (in) | Weight (lbs) |
|------------------------|--------|--------|--------|--------------|
| HBRSR-221816L-3CCT-UNC | 11.02 | 11.02 | 5.92 | 5.53 |
| HBRSR-353024L-3CCT-UNC | 13.47 | 13.47 | 5.92 | 7.29 |

ORDERING INFORMATION

Example: HBRSR-221816L-3CCT-UNC-WHT

| Series | Nominal Lumen Output (Selectable) | | Kelvin Selectable | Voltage | Housing Color | |
|--------|-----------------------------------|--------------------------|--------------------------|--------------|---------------|----------------|
| | 221816L | 353024L | | | BLK | White |
| HBRSR | 22,000/ 18,000/ 16,000 lm | 35,000/ 30,000/ 24,000lm | 3CCT 3000 / 4000 / 5000K | UNC 277-480V | BLK WHT | Black White |

ACCESSORIES (ORDER SEPARATELY)

Sensor

| | | |
|---------------|---|---|
| HD09VR-PH5-1* | = | Passive infrared sensor - maximum mounting height = 39FT. |
| HD09VR-MH5-1* | = | Microwave step-dimming sensor - maximum mounting height = 49FT. |
| HD05R | = | Remote control for HD09VR-PH5-1 & HD09VR-MH5-1(required to change factory settings). *HD09VR series has 5-dial setting capability. |

Factory settings or Sensor : detection area = 100%, hold time = 5 sec, stand-by period = 0 sec, stand-by dimming level = 10%, daylight threshold = disabled

Reflectors

| | | |
|----------------|---|---|
| HBR SR-ALREF-S | = | 90° aluminum reflector - HBR SR-221816L-4K5K models |
| HBR SR-PCREF-S | = | 90° polycarbonate reflector - HBR SR-221816L-4K5K models |
| HBR SR-ALREF-L | = | 90° aluminum reflector - HBR SR-353024L-4K5K models |
| HBR SR-PCREF-L | = | 90° polycarbonate reflector - HBR SR-353024L-4K5K-4K5K models |

Mounting Options

| | | |
|----------------------|---|---------------------------------|
| HBR SR-YOKE-WHT | = | Yoke mount - all models - white |
| HBR SR-YOKE-BLK | = | Yoke mount - all models - black |
| LEDHBR SN-PSH-PRM-V2 | = | Pendant snap hook - all models |

LUMEN TABLES

| Series | Measurements | Low Lumens | | | Mid Lumens | | | High Lumens | | |
|----------------------------|--------------|------------|--------|--------|------------|--------|--------|-------------|--------|--------|
| | | 3000K | 4000K | 5000K | 3000K | 4000K | 5000K | 3000K | 4000K | 5000K |
| HBRSR-221816L -3CCT-UNC | Lumens | 15,094 | 16,174 | 15,763 | 17,449 | 19,136 | 18,575 | 20,752 | 23,100 | 22,312 |
| | Watts | 100.52 | 97.35 | 100.33 | 121.57 | 117.63 | 121.61 | 150 | 145.35 | 151.73 |
| | Efficacy | 150 | 166 | 157 | 144 | 163 | 153 | 138 | 159 | 147 |

| Series | Measurements | Low Lumens | | | Mid Lumens | | | High Lumens | | |
|----------------------------|--------------|------------|--------|--------|------------|--------|--------|-------------|--------|--------|
| | | 3000K | 4000K | 5000K | 3000K | 4000K | 5000K | 3000K | 4000K | 5000K |
| HBRSR-353024L -3CCT-UNC | Lumens | 22,629 | 24,134 | 23,477 | 28,018 | 30,888 | 29,864 | 32,917 | 36,442 | 35,027 |
| | Watts | 150.45 | 144.55 | 149.36 | 198.83 | 191.82 | 199.99 | 242.67 | 232.27 | 244.33 |
| | Efficacy | 150 | 167 | 157 | 141 | 161 | 149 | 136 | 157 | 143 |

ELECTRICAL DATA

| Series | CCT | Input Amps (A) | | | | | | | | |
|----------------------------|-------|----------------|------|------|------------|------|------|-------------|------|------|
| | | Low Lumens | | | Mid Lumens | | | High Lumens | | |
| | | 277V | 347V | 480V | 277V | 347V | 480V | 277V | 347V | 480V |
| HBRSR-221816L -3CCT-UNC | 3000K | 0.36 | 0.29 | 0.21 | 0.44 | 0.35 | 0.25 | 0.54 | 0.43 | 0.31 |
| | 4000K | 0.35 | 0.28 | 0.20 | 0.42 | 0.34 | 0.25 | 0.52 | 0.42 | 0.30 |
| | 5000K | 0.36 | 0.29 | 0.21 | 0.44 | 0.35 | 0.25 | 0.55 | 0.44 | 0.32 |

| Series | CCT | Input Amps (A) | | | | | | | | |
|----------------------------|-------|----------------|------|------|------------|------|------|-------------|------|------|
| | | Low Lumens | | | Mid Lumens | | | High Lumens | | |
| | | 277V | 347V | 480V | 277V | 347V | 480V | 277V | 347V | 480V |
| HBRSR-353024L -3CCT-UNC | 3000K | 0.54 | 0.43 | 0.31 | 0.72 | 0.57 | 0.41 | 0.88 | 0.70 | 0.51 |
| | 4000K | 0.52 | 0.42 | 0.30 | 0.69 | 0.55 | 0.40 | 0.84 | 0.67 | 0.48 |
| | 5000K | 0.54 | 0.43 | 0.31 | 0.72 | 0.58 | 0.42 | 0.88 | 0.70 | 0.51 |

PHOTOMETRICS

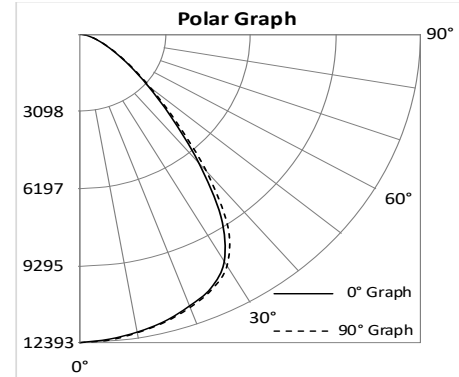
HBRSR-221816L-3CCT-UNC

Luminaire Data

| | |
|--|---|
| Description | Round High Bay - UNC Lumen/Kelvin Selectable |
| Total Lumens | 23,100 |
| Input Wattage | 145 |
| Efficacy (lm/W) | 159 |
| Spacing Criterion (0-180°) | 1.24 |
| Spacing Criterion (90-270°) | 1.28 |
| Photometrics calculated at 4000k - high lumens setting | |

Zonal Lumen Summary

| Zone | Lumens | %Fixt |
|---------|--------|--------|
| 0-20° | 4,547 | 19.7% |
| 0-30° | 9,744 | 42.2% |
| 0-40° | 15,365 | 66.5% |
| 20-50° | 14,548 | 63.0% |
| 40-70° | 6,848 | 29.6% |
| 0-60° | 21,164 | 91.6% |
| 0-80° | 22,665 | 98.1% |
| 0-90° | 22,771 | 98.6% |
| 90-180° | 329 | 1.4% |
| 0-180° | 23,100 | 100.0% |



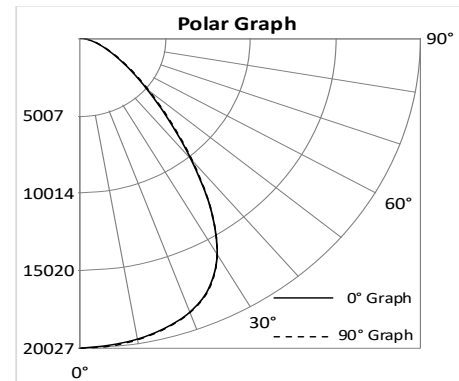
HBRSR-353024L-3CCT-UNC

Luminaire Data

| | |
|--|---|
| Description | Round High Bay - UNC Lumen/Kelvin Selectable |
| Total Lumens | 36,442 |
| Input Wattage | 232 |
| Efficacy (lm/W) | 157 |
| Spacing Criterion (0-180°) | 1.2 |
| Spacing Criterion (90-270°) | 1.24 |
| Photometrics calculated at 4000k - high lumens setting | |

Zonal Lumen Summary

| Zone | Lumens | %Fixt |
|---------|--------|--------|
| 0-20° | 7,393 | 20.3% |
| 0-30° | 15,566 | 42.7% |
| 0-40° | 23,881 | 65.5% |
| 20-50° | 22,211 | 60.9% |
| 40-70° | 10,958 | 30.1% |
| 0-60° | 32,998 | 90.5% |
| 0-80° | 35,709 | 98.0% |
| 0-90° | 35,928 | 98.6% |
| 90-180° | 514 | 1.4% |
| 0-180° | 36,442 | 100.0% |



PLUGS AND CORDS

When ordering a plug, use the following suffix choices.

Example: HBRSR-221816L-3CCT-UNC-P715L

Note: Cords & plugs do not affect the ability to install sensors.

| Part number suffix | Description | For use with |
|--------------------|---------------------------------|--------------|
| P715L | NEMA plug twist-lock - 277V 15A | All models |
| P720L | NEMA plug twist-lock - 277V 20A | |
| P2420L | NEMA plug twist-lock - 347V 20A | |
| P820L | NEMA plug twist-lock - 480V 20A | |

Sensor Ready Linear High Bay Lumen & Kelvin Selectable

STANDARD



FEATURES

- Field selectable 4000k (neutral white) and 5000k (cool white) color temperatures.
- Patent-safe LEDs provide at least 134,000 hours of operation with at least 70% of initial lumen output (L_{70}), and 40,000 hours with at least 90% of initial lumen output (L_{90}).*
- Tri-lumen selectable delivers 12,000 to 60,000 luminaire lumens (see lumen table on page 3).
- Screw in sensor ready (sensor sold separately).
- Emergency driver option available.
- Medium distribution is standard with optional narrow or wide distribution lenses.
- Universal 120-277V AC voltage (50-60Hz) is standard. 347-480V achieved with step-down transformers is optional.
- 0-10vdc dimming drivers are standard.
- Power factor > 0.90.
- Total harmonic distortion < 20%.
- Color rendering index > 80.
- Painted steel housing (stamped) and polycarbonate lenses are standard.
- Wire-guards available.

* L_{70} & L_{90} hours are IES TM-21-11 calculated hours.

ORDERING INFORMATION

Example: HBLSR-181512L-4K5K-ND-EM25

| Series | Nominal Lumen Output (Selectable) | | Kelvin Selectable | Input Voltage ¹ | | Lens Distribution | | Emergency Driver | | |
|--------|-----------------------------------|----------------------|-------------------|----------------------------|----------|-------------------|--------|------------------|--|-------|
| | 181512L | 241815L | | 347-480V | 120-277V | ND | WD | Blank | EM25 | Blank |
| HBLSR | 181512L | 18,000/15,000/12,000 | 4K5K | UNC | 347-480V | ND | Narrow | EM25 | 25W emergency driver (factory installed) | |
| | 241815L | 24,000/18,000/15,000 | | Blank | 120-277V | WD | Wide | Blank | No emergency driver | |
| | 363024L | 36,000/30,000/24,000 | | Blank | | Blank | Medium | | | |
| | 604836L | 60,000/48,000/36,000 | | | | | | | | |

¹ UNC option not compatible with EM25 emergency driver.



WARRANTY & LISTINGS

- cULus listed for damp locations in ambient temperatures from -40°C to 50°C (-40°F to 122°F). HBLSR-181512L-4K5K = 55°C (131°F).
 - DLC 5.1 premium listed for medium distribution.*
 - Input transient surge protection = 6kV.
 - Complies with FCC Part 15, class A.
 - 5-year warranty on all electronics and housing.
- * DLC 5.1 standard listed for narrow and wide distributions.

MOUNTING OPTIONS

- Chain-mount kit (includes v-hooks and 1-meter-long chain) are standard.
- Optional pendant mounting kit provides pendant attachment to ½" rigid conduit.
- Optional surface mounting kit provides attachment to solid surfaces.
- Optional cable mount kit provides luminaire suspension.

DIMENSIONS

| Model | Size (inches) | | |
|--------------------|---------------|-------|-----|
| | L | W | H |
| HBLSR-181512L-4K5K | 16.5 | 10.25 | 1.8 |
| HBLSR-241815L-4K5K | 23 | 10.25 | 1.8 |
| HBLSR-363024L-4K5K | 31 | 10.25 | 1.8 |
| HBLSR-604836L-4K5K | 44 | 10.25 | 1.8 |

ACCESSORIES (order separately)

Sensor

- HD07VR-PH-1 = Passive infrared sensor - maximum mounting height = 39 FT, factory settings: detection area = 100%, hold time = 5 sec, stand-by period = 0 sec, stand-by dimming level = 10%, daylight threshold = disabled
- HD07VR-MH-B-1 = Microwave step-dimming sensor - maximum mounting height = 49 FT, factory settings: detection area = 100%, hold time = 5 sec, stand-by period = 0 sec, stand-by dimming level = 10%, daylight threshold = disabled
- HD05R = Remote control for HD07VR-PH-1 & HD07VR-MH-B-1 (required to change factory settings)

Lens

- HBLSR-LENS-181512L-ND = Narrow distribution lens for HBLSR-181512L-4K5K
- HBLSR-LENS-241815L-ND = Narrow distribution lens for HBLSR-241815L-4K5K
- HBLSR-LENS-363024L-ND = Narrow distribution lens for HBLSR-363024L-4K5K
- HBLSR-LENS-604836L-ND = Narrow distribution lens for HBLSR-604836L-4K5K
- HBLSR-LENS-181512L-MD = Medium distribution lens for HBLSR-181512L-4K5K (ships with luminaire standard)
- HBLSR-LENS-241815L-MD = Medium distribution lens for HBLSR-241815L-4K5K (ships with luminaire standard)
- HBLSR-LENS-363024L-MD = Medium distribution lens for HBLSR-363024L-4K5K (ships with luminaire standard)
- HBLSR-LENS-604836L-MD = Medium distribution lens for HBLSR-604836L-4K5K (ships with luminaire standard)
- HBLSR-LENS-181512L-WD = Wide distribution lens for HBLSR-181512L-4K5K
- HBLSR-LENS-241815L-WD = Wide distribution lens for HBLSR-241815L-4K5K
- HBLSR-LENS-363024L-WD = Wide distribution lens for HBLSR-363024L-4K5K
- HBLSR-LENS-604836L-WD = Wide distribution lens for HBLSR-604836L-4K5K

Wire Guard

- HBLSR-WG-181512L = Wire guard kit for HBLSR-181512L-4K5K
- HBLSR-WG-241815L = Wire guard kit for HBLSR-241815L-4K5K
- HBLSR-WG-363024L = Wire guard kit for HBLSR-363024L-4K5K
- HBLSR-WG-604836L = Wire guard kit for HBLSR-604836L-4K5K

Mounting Options

- HBLSR-SMK = Surface mount kit for HBLSR - all models (not compatible with UNC or EM25 options)
- HBLSR-PMK = Pendant mount for HBLSR - all models (not compatible with UNC or EM25 options)
- LEDFOB-CMK3 = Cable mount kit, 3 meters long - all models
- LEDFOB-CMK5 = Cable mount kit, 5 meters long - all models

COMPATIBLE EMERGENCY DRIVERS INTERNALLY INSTALLED*

| Emergency Driver Part Number | EM25 | |
|------------------------------|-------|-----------|
| | Watts | EM Lumens |
| HBLSR-181512L-4K5K | 25 | 3750 |
| HBLSR-241815L-4K5K | 25 | 3750 |
| HBLSR-363024L-4K5K | 25 | 3750 |
| HBLSR-604836L-4K5K | 25 | 3750 |

* Suitable for ambient temperatures above 0°C (32°F).

COMPATIBLE DIMMERS & CONTROLS

| Americanlite | Model Number | Dimming Range | Load Switching Capacity |
|--------------|--------------|---------------|-------------------------|
| Americanlite | DWS-010V-T | 10%-100% | 600W |
| Americanlite | DWS-010V-D | 10%-100% | 600W |
| Leviton | IP710-LFZ | 10%-100% | 1200W |
| Lutron | DVSTV | 10%-100% | 450W |

ELECTRICAL DATA

| Series | Measurements | Low Lumens | | Mid Lumens | | High Lumens | |
|--------------------|-------------------|--------------|--------------|--------------|--------------|--------------|--------------|
| | | 4000K | 5000K | 4000K | 5000K | 4000K | 5000K |
| HBLSR-181512L-4K5K | Lumens | 12,007 | 12,307 | 14,555 | 15,071 | 18,085 | 18,421 |
| | Watts | 76 | 77 | 96 | 98 | 120 | 123 |
| | Efficacy | 158 | 159 | 152 | 154 | 150 | 150 |
| | Input Current (A) | 120V = 0.63A | 120V = 0.64A | 120V = 0.80A | 120V = 0.82A | 120V = 1.00A | 120V = 1.03A |
| 240V = 0.32A | | 240V = 0.32A | 240V = 0.40A | 240V = 0.41A | 240V = 0.50A | 240V = 0.51A | |
| 277V = 0.27A | | 277V = 0.28A | 277V = 0.35A | 277V = 0.35A | 277V = 0.43A | 277V = 0.44A | |

| Series | Measurements | Low Lumens | | Mid Lumens | | High Lumens | |
|--------------------|-------------------|--------------|--------------|--------------|--------------|--------------|--------------|
| | | 4000K | 5000K | 4000K | 5000K | 4000K | 5000K |
| HBLSR-241815L-4K5K | Lumens | 15,021 | 15,557 | 18,017 | 18,477 | 24,047 | 24,241 |
| | Watts | 94 | 96 | 115 | 117 | 158 | 158 |
| | Efficacy | 159 | 162 | 157 | 158 | 152 | 153 |
| | Input Current (A) | 120V = 0.78A | 120V = 0.80A | 120V = 0.96A | 120V = 0.98A | 120V = 1.32A | 120V = 1.32A |
| 240V = 0.39A | | 240V = 0.40A | 240V = 0.48A | 240V = 0.49A | 240V = 0.66A | 240V = 0.66A | |
| 277V = 0.34A | | 277V = 0.35A | 277V = 0.42A | 277V = 0.42A | 277V = 0.57A | 277V = 0.57A | |

| Series | Measurements | Low Lumens | | Mid Lumens | | High Lumens | |
|--------------------|-------------------|--------------|--------------|--------------|--------------|--------------|--------------|
| | | 4000K | 5000K | 4000K | 5000K | 4000K | 5000K |
| HBLSR-363024L-4K5K | Lumens | 24,049 | 24,854 | 30,037 | 30,299 | 35,517 | 36,076 |
| | Watts | 152 | 155 | 193 | 197 | 237 | 242 |
| | Efficacy | 158 | 160 | 156 | 154 | 150 | 149 |
| | Input Current (A) | 120V = 1.27A | 120V = 1.29A | 120V = 1.61A | 120V = 1.64A | 120V = 1.98A | 120V = 2.02A |
| 240V = 0.63A | | 240V = 0.65A | 240V = 0.80A | 240V = 0.82A | 240V = 0.99A | 240V = 1.01A | |
| 277V = 0.55A | | 277V = 0.56A | 277V = 0.70A | 277V = 0.71A | 277V = 0.86A | 277V = 0.87A | |

ELECTRICAL DATA

| Series | Measurements | Low Lumens | | Mid Lumens | | High Lumens | |
|--------------------|-------------------|--------------|--------------|--------------|--------------|--------------|--------------|
| | | 4000K | 5000K | 4000K | 5000K | 4000K | 5000K |
| HBLSR-604836L-4K5K | Lumens | 37,049 | 38,465 | 48,182 | 49,009 | 60,104 | 61,319 |
| | Watts | 236 | 241 | 312 | 317 | 404 | 412 |
| | Efficacy | 157 | 160 | 154 | 155 | 149 | 149 |
| | Input Current (A) | 120V = 1.97A | 120V = 2.01A | 120V = 2.60A | 120V = 2.64A | 120V = 3.37A | 120V = 3.43A |
| 240V = 0.98A | | 240V = 1.00A | 240V = 1.30A | 240V = 1.32A | 240V = 1.68A | 240V = 1.72A | |
| 277V = 0.85A | | 277V = 0.87A | 277V = 1.13A | 277V = 1.14A | 277V = 1.46A | 277V = 1.49A | |

PHOTOMETRIC DATA

HBLSR-181512L-4K5K

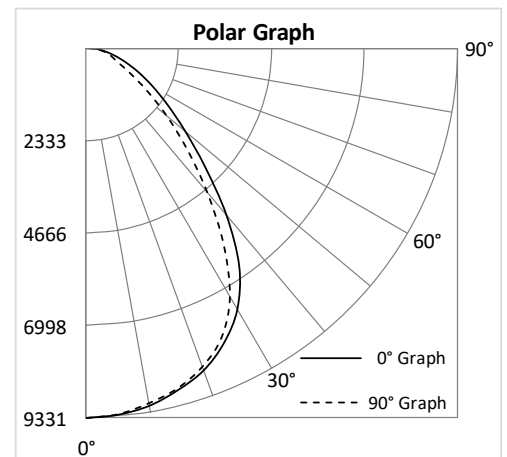
Luminaire Data

| | |
|-----------------------------|--|
| Description | Linear High Bay Lumen/Kelvin Selectable |
| Total Lumens | 18,423 |
| Input Wattage | 123 |
| Efficacy (lm/W) | 150 |
| Spacing Criterion (0-180°) | 1.22 |
| Spacing Criterion (90-270°) | 1.18 |

Photometrics calculated at 5000k - high lumens setting

Zonal Lumen Summary

| Zone | Lumens | %Fixt |
|---------|--------|--------|
| 0-20° | 3,402 | 18.5% |
| 0-30° | 7,155 | 38.8% |
| 0-40° | 11,161 | 60.6% |
| 20-50° | 10,840 | 58.8% |
| 40-70° | 6,281 | 34.1% |
| 0-60° | 16,247 | 88.2% |
| 0-80° | 18,156 | 98.6% |
| 0-90° | 18,423 | 100.0% |
| 90-180° | 0 | 0.0% |
| 0-180° | 18,423 | 100.0% |



HBLSR-241815L-4K5K

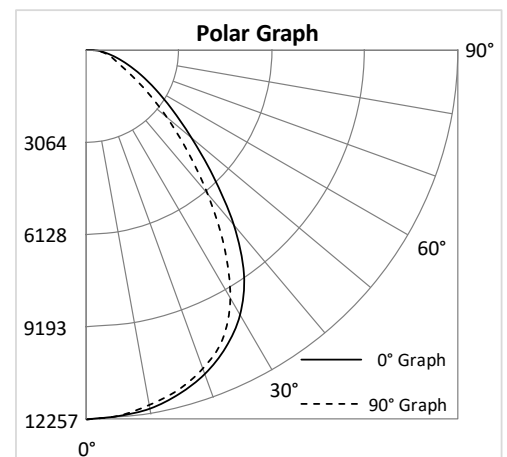
Luminaire Data

| | |
|-----------------------------|--|
| Description | Linear High Bay Lumen/Kelvin Selectable |
| Total Lumens | 24,269 |
| Input Wattage | 158 |
| Efficacy (lm/W) | 153 |
| Spacing Criterion (0-180°) | 1.24 |
| Spacing Criterion (90-270°) | 1.18 |

Photometrics calculated at 5000k - high lumens setting

Zonal Lumen Summary

| Zone | Lumens | %Fixt |
|---------|--------|--------|
| 0-20° | 4,468 | 18.4% |
| 0-30° | 9,398 | 38.7% |
| 0-40° | 14,661 | 60.4% |
| 20-50° | 14,249 | 58.7% |
| 40-70° | 8,283 | 34.1% |
| 0-60° | 21,353 | 88.0% |
| 0-80° | 23,902 | 98.5% |
| 0-90° | 24,269 | 100.0% |
| 90-180° | 0 | 0.0% |
| 0-180° | 24,269 | 100.0% |



PHOTOMETRIC DATA

HBLSR-363024L-4K5K

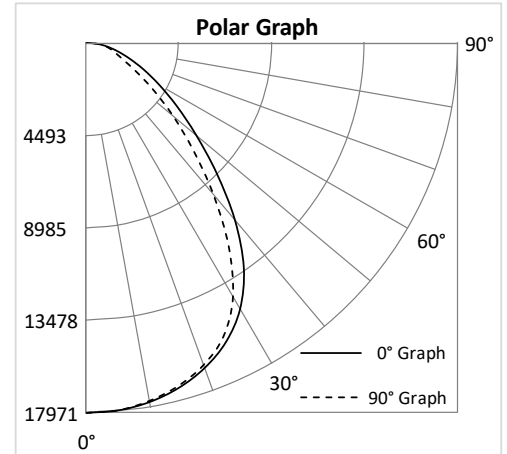
Luminaire Data

| | |
|--------------------------------|--|
| Description | Linear High Bay Lumen/Kelvin Selectable |
| Total Lumens | 36,087 |
| Input Wattage | 242 |
| Efficacy (lm/W) | 149 |
| Spacing Criterion (0-180°) | 1.24 |
| Spacing Criterion (90-270°) | 1.18 |

Photometrics calculated at
5000k - high lumens setting

Zonal Lumen Summary

| Zone | Lumens | %Fixt |
|---------|--------|--------|
| 0-20° | 6,560 | 18.2% |
| 0-30° | 13,802 | 38.2% |
| 0-40° | 21,585 | 59.8% |
| 20-50° | 21,143 | 58.6% |
| 40-70° | 12,526 | 34.7% |
| 0-60° | 31,718 | 87.9% |
| 0-80° | 35,540 | 98.5% |
| 0-90° | 36,087 | 100.0% |
| 90-180° | 0 | 0.0% |
| 0-180° | 36,087 | 100.0% |



HBLSR-604836L-4K5K

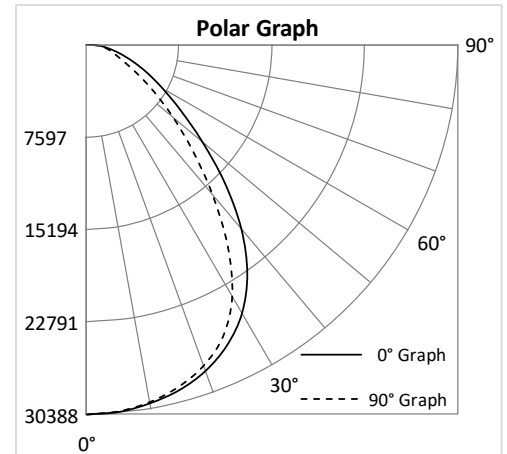
Luminaire Data

| | |
|--------------------------------|--|
| Description | Linear High Bay Lumen/Kelvin Selectable |
| Total Lumens | 61,323 |
| Input Wattage | 412 |
| Efficacy (lm/W) | 149 |
| Spacing Criterion (0-180°) | 1.24 |
| Spacing Criterion (90-270°) | 1.18 |

Photometrics calculated at
5000k - high lumens setting

Zonal Lumen Summary

| Zone | Lumens | %Fixt |
|---------|--------|--------|
| 0-20° | 11,100 | 18.1% |
| 0-30° | 23,335 | 38.1% |
| 0-40° | 36,491 | 59.5% |
| 20-50° | 35,901 | 58.5% |
| 40-70° | 21,535 | 35.1% |
| 0-60° | 53,908 | 87.9% |
| 0-80° | 60,446 | 98.6% |
| 0-90° | 61,323 | 100.0% |
| 90-180° | 0 | 0.0% |
| 0-180° | 61,323 | 100.0% |



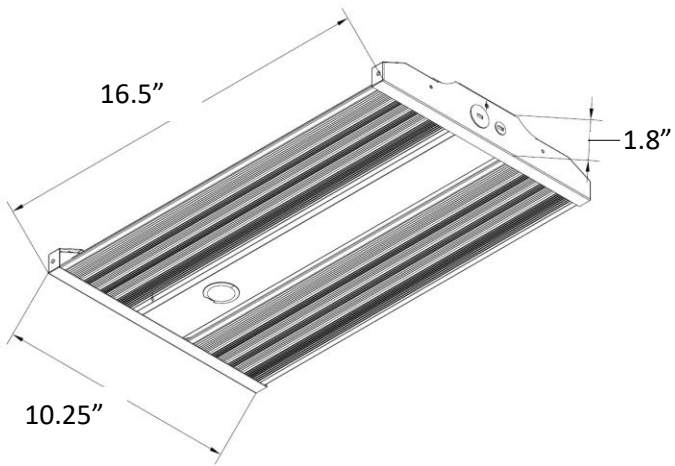
CORDS & PLUGS

- When ordering a cord/cord & plug, use the following suffix choices.
- Example: HBLSR-181512L-4K5K-EM25-10C4
Note: cord & plugs do not affect the ability to install sensors.

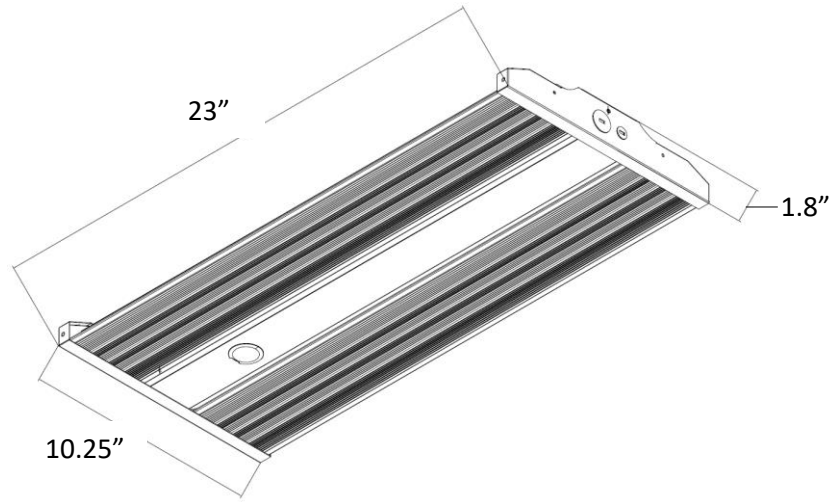
| Part number suffix | Description | For use with |
|--------------------|--|--------------------------|
| 6C3 | 6' cord - 3 conductor (black/white/green) | Standard & UNC |
| 6C4 | 6' cord - 4 conductor (black/white/green/red) | EM driver |
| 6C5 | 6' cord - 5 conductor (black/white/green/purple/pink) | Dimming (standard & UNC) |
| 6C6 | 6' cord - 6 conductor (black/white/green/red/purple/pink) | Dimming & EM driver |
| 10C3 | 10' cord - 3 conductor (black/white/green) | Standard & UNC |
| 10C4 | 10' cord - 4 conductor (black/white/green/red) | EM driver |
| 10C5 | 10' cord - 5 conductor (black/white/green/purple/pink) | Dimming (standard & UNC) |
| 10C6 | 10' cord - 6 conductor (black/white/green/red/purple/pink) | Dimming & EM driver |
| 15C3 | 15' cord - 3 conductor (black/white/green) | Standard & UNC |
| 15C4 | 15' cord - 4 conductor (black/white/green/red) | EM driver |
| 15C5 | 15' cord - 5 conductor (black/white/green/purple/pink) | Dimming (standard & UNC) |
| 15C6 | 15' cord - 6 conductor (black/white/green/red/purple/pink) | Dimming & EM driver |
| 6W3 | 6' whip - 3 conductor (black/white/green) | Standard & UNC |
| 6W4 | 6' whip - 4 conductor (black/white/green/red) | EM driver |
| 6W5 | 6' whip - 5 conductor (black/white/green/purple/pink) | Dimming (standard & UNC) |
| 6W6 | 6' whip - 6 conductor (black/white/green/red/purple/pink) | Dimming & EM driver |
| 6P515 | 6' cord - 3 conductor (black/white/green) - NEMA 5-15 plug (120V/15A) | Standard luminaire |
| 6P615 | 6' cord - 3 conductor (black/white/green) - NEMA 6-15 plug (240V/15A) | Standard luminaire |
| 6P715 | 6' cord - 3 conductor (black/white/green) - NEMA 7-15 plug (277V/15A) | Standard luminaire |
| 6P520 | 6' cord - 3 conductor (black/white/green) - NEMA 5-20 plug (120V/20A) | Standard luminaire |
| 6P620 | 6' cord - 3 conductor (black/white/green) - NEMA 6-20 plug (277V/20A) | Standard luminaire |
| 6P515L | 6' cord - 3 conductor (black/white/green) - NEMA L5-15 plug (120V/15A locking) | Standard luminaire |
| 6P615L | 6' cord - 3 conductor (black/white/green) - NEMA L6-15 plug (240V/15A locking) | Standard luminaire |
| 6P715L | 6' cord - 3 conductor (black/white/green) - NEMA L7-15 plug (277V/15A locking) | Standard luminaire |
| 6P520L | 6' cord - 3 conductor (black/white/green) - NEMA L5-20 plug (120V/20A locking) | Standard luminaire |
| 6P620L | 6' cord - 3 conductor (black/white/green) - NEMA L6-20 plug (240V/20A locking) | Standard luminaire |
| 6P720L | 6' cord - 3 conductor (black/white/green) - NEMA L7-20 plug (277V/20A locking) | Standard luminaire |
| 6P2420L | 6' cord - 3 conductor (black/white/green) - NEMA L24-20 plug (347V/20A locking) | UNC luminaire |
| 6P820L | 6' cord - 3 conductor (black/white/green) - NEMA L8-20 plug (480V/20A locking) | UNC luminaire |
| 10P515 | 10' cord - 3 conductor (black/white/green) - NEMA 5-15 plug (120V/15A) | Standard luminaire |
| 10P615 | 10' cord - 3 conductor (black/white/green) - NEMA 6-15 plug (240V/15A) | Standard luminaire |
| 10P715 | 10' cord - 3 conductor (black/white/green) - NEMA 7-15 plug (277V/15A) | Standard luminaire |
| 10P520 | 10' cord - 3 conductor (black/white/green) - NEMA 5-20 plug (120V/20A) | Standard luminaire |
| 10P620 | 10' cord - 3 conductor (black/white/green) - NEMA 6-20 plug (277V/20A) | Standard luminaire |
| 10P515L | 10' cord - 3 conductor (black/white/green) - NEMA L5-15 plug (120V/15A locking) | Standard luminaire |
| 10P615L | 10' cord - 3 conductor (black/white/green) - NEMA L6-15 plug (240V/15A locking) | Standard luminaire |
| 10P715L | 10' cord - 3 conductor (black/white/green) - NEMA L7-15 plug (277V/15A locking) | Standard luminaire |
| 10P520L | 10' cord - 3 conductor (black/white/green) - NEMA L5-20 plug (120V/20A locking) | Standard luminaire |
| 10P620L | 10' cord - 3 conductor (black/white/green) - NEMA L6-20 plug (240V/20A locking) | Standard luminaire |
| 10P720L | 10' cord - 3 conductor (black/white/green) - NEMA L7-20 plug (277V/20A locking) | Standard luminaire |
| 10P2420L | 10' cord - 3 conductor (black/white/green) - NEMA L24-20 plug (347V/20A locking) | UNC luminaire |
| 10P820L | 10' cord - 3 conductor (black/white/green) - NEMA L8-20 plug (480V/20A locking) | UNC luminaire |
| 15P515 | 15' cord - 3 conductor (black/white/green) - NEMA 5-15 plug (120V/15A) | Standard luminaire |
| 15P615 | 15' cord - 3 conductor (black/white/green) - NEMA 6-15 plug (240V/15A) | Standard luminaire |
| 15P715 | 15' cord - 3 conductor (black/white/green) - NEMA 7-15 plug (277V/15A) | Standard luminaire |
| 15P520 | 15' cord - 3 conductor (black/white/green) - NEMA 5-20 plug (120V/20A) | Standard luminaire |
| 15P620 | 15' cord - 3 conductor (black/white/green) - NEMA 6-20 plug (277V/20A) | Standard luminaire |
| 15P515L | 15' cord - 3 conductor (black/white/green) - NEMA L5-15 plug (120V/15A locking) | Standard luminaire |
| 15P615L | 15' cord - 3 conductor (black/white/green) - NEMA L6-15 plug (240V/15A locking) | Standard luminaire |
| 15P715L | 15' cord - 3 conductor (black/white/green) - NEMA L7-15 plug (277V/15A locking) | Standard luminaire |
| 15P520L | 15' cord - 3 conductor (black/white/green) - NEMA L5-20 plug (120V/20A locking) | Standard luminaire |
| 15P620L | 15' cord - 3 conductor (black/white/green) - NEMA L6-20 plug (240V/20A locking) | Standard luminaire |
| 15P720L | 15' cord - 3 conductor (black/white/green) - NEMA L7-20 plug (277V/20A locking) | Standard luminaire |
| 15P2420L | 15' cord - 3 conductor (black/white/green) - NEMA L24-20 plug (347V/20A locking) | UNC luminaire |
| 15P820L | 15' cord - 3 conductor (black/white/green) - NEMA L8-20 plug (480V/20A locking) | UNC luminaire |

DIMENSIONAL DRAWINGS

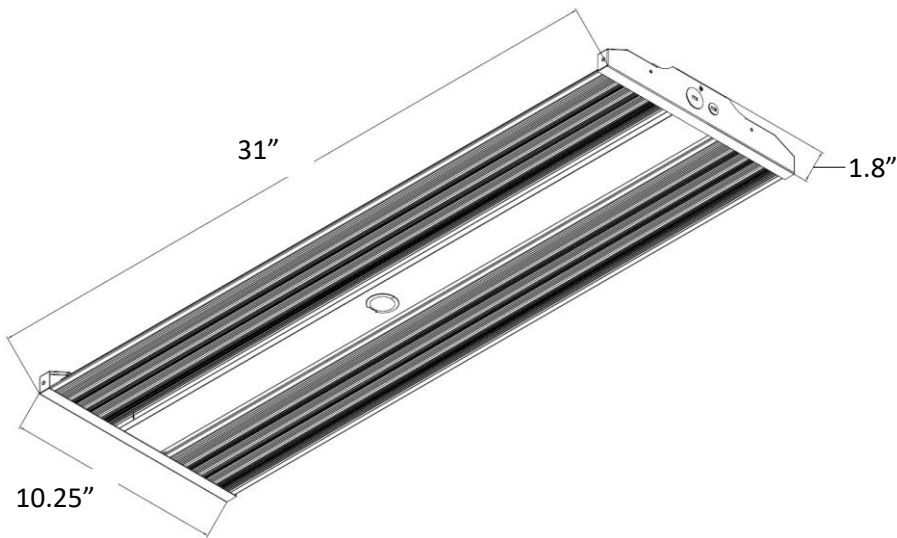
HBLSR-181512L-4K5K



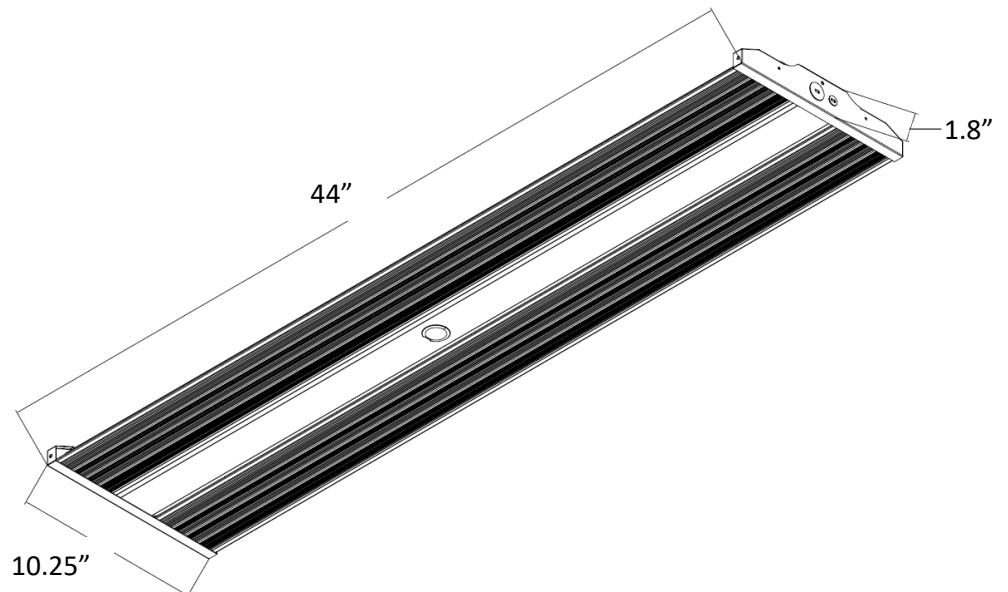
HBLSR-241815L-4K5K



HBLSR-363024L-4K5K



HBLSR-604836L-4K5K



Adjustable Linear High Bay Sensor Ready Lumens & Kelvin Selectable

STANDARDS



HOUSING

- Premium powder-coat, steel, white housing.

ELECTRICAL

- Operating temperature (ambient): -40°C to 50°C (-40°F to 122°F).
- Universal 120-277V AC voltage (50-60Hz) is standard.
- Optics rotate up to 135°.
- Screw in sensor ready. (Sensor and remote control sold separately).
- Emergency driver option available.
- 347-480v achieved with step-down transformer.
- 0-10VDC dimming drivers are standard.
- Input transient surge protection = 6kV.
- PF > 0.9; THD < 20%.

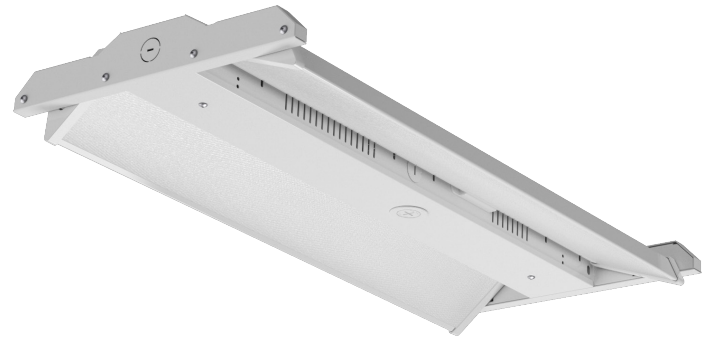
OPTICAL SYSTEM

- Polycarbonate lens.
- Field Selectable 4000k (neutral white) and 5000k (cool white) color temperatures*.
- Tri-Lumens selectable delivers 9,000 to 30,000 nominal lumens (see lumen tables on page 3)**.
- Remote Control required to change factory sensor settings (see default settings on page 2).
- Long-life LEDs provide 148,000 hours of operation with at least 70% of initial lumen output (L70), and 44,000 hours with at least 90% of initial lumen output (L90)***.
- LED color maintenance < 0.0035 chromaticity shift ($\Delta u'v'$) over the initial 6,000 hours of operation.
- Color rendering index > 80%.

* Default kelvin temperature = 4000k.

** Default power setting = highest lumen output.

***L70 & L90 hours are IES TM-21-11 calculated hours.



MOUNTING

- Chain-mount kit (includes v-hooks, 1-meter long chain) are standard.
- Optional surface mounting kit provides attachment to solid surfaces*.
- Optional pendant mounting kit provides pendant attachment to 1/2" rigid conduit.

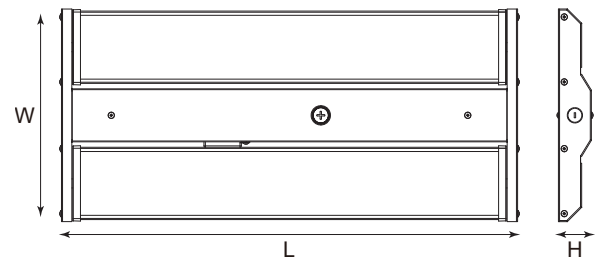
* Surface mount kit and Pendant mount kit are not compatible with the UNC StepDown Transformer option, nor the on-board, factory installed EM driver options.

CODE COMPLIANCE

- cULus listed for damp locations.
- DLC Premium listed.
- Complies with FCC part 15, class A.

WARRANTY

- 5 year warranty on all electronics and housing.



| Model # | L (in) | W (in) | H (in) | Weight (lbs) |
|---------------------|--------|--------|--------|--------------|
| HBLASR-15129L-4K5K | 25.8 | 12.1 | 1.9 | 7.5 |
| HBLASR-241815L-4K5K | 25.8 | 12.1 | 1.9 | 7.5 |
| HBLASR-302418L-4K5K | 25.8 | 12.1 | 1.9 | 7.5 |

ORDERING INFORMATION

Example: HBLASR-15129L-4K5K

| Series | Nominal Lumen Output (Selectable) | | Kelvin Selectable | Input Voltage | Emergency Driver |
|--------|-----------------------------------|--------------------------|-------------------|---------------------------------|--|
| | 15129L | 241815L / 302418L | | | |
| HBLASR | 15129L | 15,000 / 12,000 / 9,000 | 4K5K | UNC* 347-480V Blank 120-277V | EM10 10W Emergency Driver |
| | 241815L | 24,000 / 18,000 / 15,000 | | | EM13 13W Emergency Driver |
| | 302418L | 30,000 / 24,000 / 18,000 | | | EM25 25W Emergency Driver Blank No Emergency Driver |

* UNC option no compatible with EM

ACCESSORIES (ORDER SEPARATELY)

Sensor:

- HD07VR-PH-1 = Passive infrared sensor - maximum mounting height = 39FT,
factory settings: detection area =100%, hold time = 5 sec, stand-by period = 0 sec,
stand-by dimming level = 10%, daylight threshold = disabled
- HD07VR-MH-B-1 = Microwave step-dimming sensor - maximum mounting height = 49FT,
factory settings: detection area =100%, hold time = 5 sec, stand-by period = 0 sec, stand-by
dimming level = 10%, daylight threshold = disabled
- HD05R = Remote control for HD07VR-PH-1 & HD07VR-MH-B-1 (required to change factory settings)

Wire Guard:

- HBLASR-WGK-24x4 = WIRE GUARD FOR ALL HBLASR MODELS

Mounting Option

- HBLASR-SMK = SURFACE MOUNT KIT FOR ALL HBLASR MODELS*
- HBLASR-PMK = PENDANT MOUNT KIT FOR ALL HBLASR MODELS*

* SMK and PMK not compatible with UNC and EM drivers.

Remote Mount EM Drivers:

- BLEM-CP-10C = 10W EMERGENCY DRIVER WITH CONDUIT - EM10
- BLEM-CP-13C = 13W EMERGENCY DRIVER WITH CONDUIT - EM13

LUMEN TABLES

| Series | Measurements | Low Lumens | | Mid Lumens | | High Lumens | |
|--------------------|--------------|------------|-------|------------|--------|-------------|--------|
| | | 4000k | 5000k | 4000k | 5000k | 4000k | 5000k |
| HBLASR-15129L-4K5K | Lumens | 9,935 | 9,886 | 12,681 | 12,531 | 15,819 | 15,495 |
| | Watt | 63.9 | 64.9 | 83.2 | 85.0 | 106.7 | 109.4 |
| | Efficacy | 155 | 152 | 152 | 147 | 148 | 142 |

| Series | Measurements | Low Lumens | | Mid Lumens | | High Lumens | |
|---------------------|--------------|------------|--------|------------|--------|-------------|--------|
| | | 4000k | 5000k | 4000k | 5000k | 4000k | 5000k |
| HBLASR-241815L-4K5K | Lumens | 15,038 | 15,043 | 17,959 | 17,769 | 23,645 | 23,141 |
| | Watt | 95.21 | 96.61 | 115.38 | 117.13 | 157.28 | 160.36 |
| | Efficacy | 158 | 156 | 156 | 152 | 150 | 144 |

| Series | Measurements | Low Lumens | | Mid Lumens | | High Lumens | |
|---------------------|--------------|------------|--------|------------|--------|-------------|--------|
| | | 4000k | 5000k | 4000k | 5000k | 4000k | 5000k |
| HBLASR-302418L-4K5K | Lumens | 19,469 | 19,158 | 25,457 | 24,825 | 31,090 | 30,160 |
| | Watt | 120.8 | 122.6 | 162.5 | 165.4 | 205.3 | 209.8 |
| | Efficacy | 161 | 156 | 157 | 150 | 151 | 144 |

ELECTRICAL DATA

| Series | CCT | Input Amps (A) | | | | | | | | |
|--------------------|-------|----------------|------|------|------------|------|------|-------------|------|------|
| | | Low Lumens | | | Mid Lumens | | | High Lumens | | |
| | | 120V | 240V | 277V | 120V | 240V | 277V | 120V | 240V | 277V |
| HBLASR-15129L-4K5K | 4000k | 0.53 | 0.27 | 0.23 | 0.69 | 0.35 | 0.30 | 0.89 | 0.44 | 0.39 |
| | 5000k | 0.54 | 0.27 | 0.23 | 0.71 | 0.35 | 0.31 | 0.91 | 0.46 | 0.39 |

| Series | CCT | Input Amps (A) | | | | | | | | |
|---------------------|-------|----------------|------|------|------------|------|------|-------------|------|------|
| | | Low Lumens | | | Mid Lumens | | | High Lumens | | |
| | | 120V | 240V | 277V | 120V | 240V | 277V | 120V | 240V | 277V |
| HBLASR-181512L-4K5K | 4000k | 0.79 | 0.40 | 0.34 | 0.96 | 0.48 | 0.42 | 1.31 | 0.66 | 0.57 |
| | 5000k | 0.81 | 0.40 | 0.35 | 0.98 | 0.49 | 0.42 | 1.34 | 0.67 | 0.58 |

| Series | CCT | Input Amps (A) | | | | | | | | |
|---------------------|-------|----------------|------|------|------------|------|------|-------------|------|------|
| | | Low Lumens | | | Mid Lumens | | | High Lumens | | |
| | | 120V | 240V | 277V | 120V | 240V | 277V | 120V | 240V | 277V |
| HBLASR-302418L-4K5K | 4000k | 1.01 | 0.50 | 0.44 | 1.35 | 0.68 | 0.59 | 1.71 | 0.86 | 0.74 |
| | 5000k | 1.02 | 0.51 | 0.44 | 1.38 | 0.69 | 0.60 | 1.75 | 0.87 | 0.76 |

PHOTOMETRICS

HBLASR-15129L-4K5K

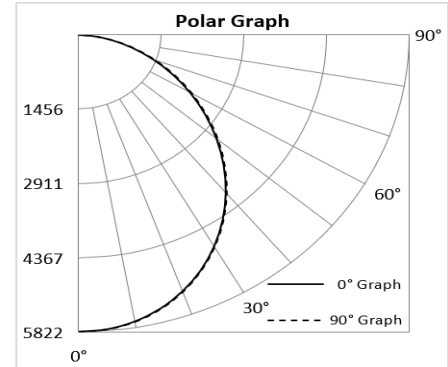
Luminaire Data

| Description | Adjustable High Bay Lumen/Kelvin Selectable |
|-----------------------------|--|
| Total Lumens | 15,495 |
| Input Wattage | 109 |
| Efficacy (lm/W) | 142 |
| Spacing Criterion (0-180°) | 1.24 |
| Spacing Criterion (90-270°) | 1.24 |

Photometrics calculated at
5000k - high lumens setting

Zonal Lumen Summary

| Zone | Lumens | %Fixt |
|---------|--------|--------|
| 0-20° | 2,114 | 13.6% |
| 0-30° | 4,449 | 28.7% |
| 0-40° | 7,199 | 46.5% |
| 20-50° | 7,851 | 50.7% |
| 40-70° | 6,974 | 45.0% |
| 0-60° | 12,380 | 79.9% |
| 0-80° | 15,208 | 98.2% |
| 0-90° | 15,495 | 100.0% |
| 90-180° | 0 | 0.0% |
| 0-180° | 15,495 | 100.0% |



HBLASR-241815L-4K5K

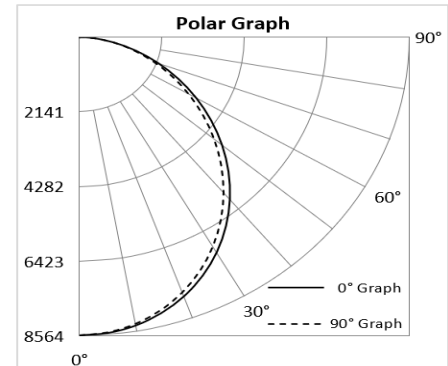
Luminaire Data

| Description | Adjustable High Bay Lumen/Kelvin Selectable |
|-----------------------------|--|
| Total Lumens | 23,141 |
| Input Wattage | 160 |
| Efficacy (lm/W) | 144 |
| Spacing Criterion (0-180°) | 1.24 |
| Spacing Criterion (90-270°) | 1.22 |

Photometrics calculated at
5000k - high lumens setting

Zonal Lumen Summary

| Zone | Lumens | %Fixt |
|---------|--------|--------|
| 0-20° | 3,112 | 13.4% |
| 0-30° | 6,559 | 28.3% |
| 0-40° | 10,633 | 45.9% |
| 20-50° | 11,637 | 50.3% |
| 40-70° | 10,444 | 45.1% |
| 0-60° | 18,367 | 79.4% |
| 0-80° | 22,662 | 97.9% |
| 0-90° | 23,111 | 99.9% |
| 90-180° | 30 | 0.1% |
| 0-180° | 23,141 | 100.0% |



HBLASR-302418L-4K5K

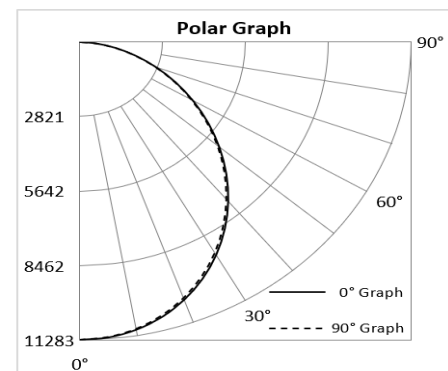
Luminaire Data

| Description | Adjustable High Bay Lumen/Kelvin Selectable |
|-----------------------------|--|
| Total Lumens | 30,160 |
| Input Wattage | 210 |
| Efficacy (lm/W) | 144 |
| Spacing Criterion (0-180°) | 1.24 |
| Spacing Criterion (90-270°) | 1.22 |

Photometrics calculated at
5000k - high lumens setting

Zonal Lumen Summary

| Zone | Lumens | %Fixt |
|---------|--------|--------|
| 0-20° | 4,097 | 13.6% |
| 0-30° | 8,625 | 28.6% |
| 0-40° | 13,965 | 46.3% |
| 20-50° | 15,249 | 50.6% |
| 40-70° | 13,595 | 45.1% |
| 0-60° | 24,055 | 79.8% |
| 0-80° | 29,583 | 98.1% |
| 0-90° | 30,160 | 100.0% |
| 90-180° | 0 | 0.0% |
| 0-180° | 30,160 | 100.0% |



COMPATIBLE EMERGENCY DRIVERS-INSTALLED

| Emergency Driver Part Number | EM10 | | EM13 | | EM25 | |
|------------------------------|-------|-----------|-------|-----------|-------|-----------|
| | Watts | EM Lumens | Watts | EM Lumens | Watts | EM Lumens |
| HBLASR-15129L-4K5K | 10 | 1420 | 13 | 1846 | 25 | 3550 |
| HBLASR-241815L-4K5K | 10 | 1440 | 13 | 1872 | 25 | 3600 |
| HBLASR-302418L-4K5K | 10 | 1440 | 13 | 1872 | 25 | 3600 |

COMPATIBLE DIMMERS AND CONTROLS

| Manufacturer | Model Number | Dimmer Range | Load Switching Capacity |
|---------------|--------------|--------------|-------------------------|
| Best Lighting | DWS-010V-T | 10%-100% | 600W |
| Best Lighting | DWS-010V-D | 10%-100% | 600W |
| Leviton | IP710-LFZ | 10%-100% | 1200W |
| Lutron | DVSTV | 10%-100% | 450W |

PLUGS AND CORDS

| Part number suffix | Description | For use with |
|--------------------|--|--------------------------|
| 6C3 | 6' cord - 3 conductor (black/white/green) | Standard & UNC |
| 6C4 | 6' cord - 4 conductor (black/white/green/red) | EM driver |
| 6C5 | 6' cord - 5 conductor (black/white/green/purple/pink) | Dimming (standard & UNC) |
| 6C6 | 6' cord - 6 conductor (black/white/green/red/purple/pink) | Dimming & EM driver |
| 10C3 | 10' cord - 3 conductor (black/white/green) | Standard & UNC |
| 10C4 | 10' cord - 4 conductor (black/white/green/red) | EM driver |
| 10C5 | 10' cord - 5 conductor (black/white/green/purple/pink) | Dimming (standard & UNC) |
| 10C6 | 10' cord - 6 conductor (black/white/green/red/purple/pink) | Dimming & EM driver |
| 15C3 | 15' cord - 3 conductor (black/white/green) | Standard & UNC |
| 15C4 | 15' cord - 4 conductor (black/white/green/red) | EM driver |
| 15C5 | 15' cord - 5 conductor (black/white/green/purple/pink) | Dimming (standard & UNC) |
| 15C6 | 15' cord - 6 conductor (black/white/green/red/purple/pink) | Dimming & EM driver |
| 6W3 | 6' whip - 3 conductor (black/white/green) | Standard & UNC |
| 6W4 | 6' whip - 4 conductor (black/white/green/red) | EM driver |
| 6W5 | 6' whip - 5 conductor (black/white/green/purple/pink) | Dimming (standard & UNC) |
| 6W6 | 6' whip - 6 conductor (black/white/green/red/purple/pink) | Dimming & EM driver |

PLUGS AND CORDS

| Part number suffix | Description | For use with |
|--------------------|--|--------------------|
| 6P515 | 6' cord - 3 conductor (black/white/green) - NEMA 5-15 plug (120V/15A) | Standard luminaire |
| 6P615 | 6' cord - 3 conductor (black/white/green) - NEMA 6-15 plug (240V/15A) | Standard luminaire |
| 6P715 | 6' cord - 3 conductor (black/white/green) - NEMA 7-15 plug (277V/15A) | Standard luminaire |
| 6P520 | 6' cord - 3 conductor (black/white/green) - NEMA 5-20 plug (120V/20A) | Standard luminaire |
| 6P620 | 6' cord - 3 conductor (black/white/green) - NEMA 6-20 plug (277V/20A) | Standard luminaire |
| 6P515L | 6' cord - 3 conductor (black/white/green) - NEMA L5-15 plug (120V/15A locking) | Standard luminaire |
| 6P615L | 6' cord - 3 conductor (black/white/green) - NEMA L6-15 plug (240V/15A locking) | Standard luminaire |
| 6P715L | 6' cord - 3 conductor (black/white/green) - NEMA L7-15 plug (277V/15A locking) | Standard luminaire |
| 6P520L | 6' cord - 3 conductor (black/white/green) - NEMA L5-20 plug (120V/20A locking) | Standard luminaire |
| 6P620L | 6' cord - 3 conductor (black/white/green) - NEMA L6-20 plug (240V/20A locking) | Standard luminaire |
| 6P720L | 6' cord - 3 conductor (black/white/green) - NEMA L7-20 plug (277V/20A locking) | Standard luminaire |
| 6P2420L | 6' cord - 3 conductor (black/white/green) - NEMA L24-20 plug (347V/20A locking) | UNC luminaire |
| 6P820L | 6' cord - 3 conductor (black/white/green) - NEMA L8-20 plug (480V/20A locking) | UNC luminaire |
| 10P515 | 10' cord - 3 conductor (black/white/green) - NEMA 5-15 plug (120V/15A) | Standard luminaire |
| 10P615 | 10' cord - 3 conductor (black/white/green) - NEMA 6-15 plug (240V/15A) | Standard luminaire |
| 10P715 | 10' cord - 3 conductor (black/white/green) - NEMA 7-15 plug (277V/15A) | Standard luminaire |
| 10P520 | 10' cord - 3 conductor (black/white/green) - NEMA 5-20 plug (120V/20A) | Standard luminaire |
| 10P620 | 10' cord - 3 conductor (black/white/green) - NEMA 6-20 plug (277V/20A) | Standard luminaire |
| 10P515L | 10' cord - 3 conductor (black/white/green) - NEMA L5-15 plug (120V/15A locking) | Standard luminaire |
| 10P615L | 10' cord - 3 conductor (black/white/green) - NEMA L6-15 plug (240V/15A locking) | Standard luminaire |
| 10P715L | 10' cord - 3 conductor (black/white/green) - NEMA L7-15 plug (277V/15A locking) | Standard luminaire |
| 10P520L | 10' cord - 3 conductor (black/white/green) - NEMA L5-20 plug (120V/20A locking) | Standard luminaire |
| 10P620L | 10' cord - 3 conductor (black/white/green) - NEMA L6-20 plug (240V/20A locking) | Standard luminaire |
| 10P720L | 10' cord - 3 conductor (black/white/green) - NEMA L7-20 plug (277V/20A locking) | Standard luminaire |
| 10P2420L | 10' cord - 3 conductor (black/white/green) - NEMA L24-20 plug (347V/20A locking) | UNC luminaire |
| 10P820L | 10' cord - 3 conductor (black/white/green) - NEMA L8-20 plug (480V/20A locking) | UNC luminaire |
| 15P515 | 15' cord - 3 conductor (black/white/green) - NEMA 5-15 plug (120V/15A) | Standard luminaire |
| 15P615 | 15' cord - 3 conductor (black/white/green) - NEMA 6-15 plug (240V/15A) | Standard luminaire |
| 15P715 | 15' cord - 3 conductor (black/white/green) - NEMA 7-15 plug (277V/15A) | Standard luminaire |
| 15P520 | 15' cord - 3 conductor (black/white/green) - NEMA 5-20 plug (120V/20A) | Standard luminaire |
| 15P620 | 15' cord - 3 conductor (black/white/green) - NEMA 6-20 plug (277V/20A) | Standard luminaire |
| 15P515L | 15' cord - 3 conductor (black/white/green) - NEMA L5-15 plug (120V/15A locking) | Standard luminaire |
| 15P615L | 15' cord - 3 conductor (black/white/green) - NEMA L6-15 plug (240V/15A locking) | Standard luminaire |
| 15P715L | 15' cord - 3 conductor (black/white/green) - NEMA L7-15 plug (277V/15A locking) | Standard luminaire |
| 15P520L | 15' cord - 3 conductor (black/white/green) - NEMA L5-20 plug (120V/20A locking) | Standard luminaire |
| 15P620L | 15' cord - 3 conductor (black/white/green) - NEMA L6-20 plug (240V/20A locking) | Standard luminaire |
| 15P720L | 15' cord - 3 conductor (black/white/green) - NEMA L7-20 plug (277V/20A locking) | Standard luminaire |
| 15P2420L | 15' cord - 3 conductor (black/white/green) - NEMA L24-20 plug (347V/20A locking) | UNC luminaire |
| 15P820L | 15' cord - 3 conductor (black/white/green) - NEMA L8-20 plug (480V/20A locking) | UNC luminaire |

Foot Vapor Tight Sensor Ready Lumen & Kelvin Selectable



STANDARDS



HOUSING

- Light gray polycarbonate housing with stainless steel latches.

ELECTRICAL

- Operating temperature (ambient): -40°C to 50°C (-40°F to 122°F).
- Universal 120-277V AC voltage (50-60Hz) is standard.
- 0-10VDC dimming drivers are standard.
- Input transient surge protection = 2kV.
- Power factor > 0.90.
- Total Harmonic distortion < 20%.

OPTICAL SYSTEM

- Polycarbonate lens.
- Field selectable 3500K (warm white), 4000K (neutral white) and 5000K (cool white) color temperatures*.
- Tri-lumen selectable delivers 9,386 to 12,716 nominal lumens*.
- Long-life LEDs provide 174,000 hours of operation with at least 70% of initial lumen output (L70), and 53,000 hours with at least 90% of initial lumen output (L90)**.
- Sensor-ready receptacle standard.
- Screw in sensor ready. Remote control required for programming (Sensor and remote control sold separately).
- LED color maintenance < -0.0005 chromaticity shift ($\Delta u'v'$) over the initial 6,000 hours of operation.
- Color rendering index > 80.

MOUNTING

- Surface mount kit is standard and v-hooks included. (Chain supplied by others.)
- Optional cable mount kit provides luminaire suspension.
- Easy installation in new construction or retrofit applications.

CODE COMPLIANCE

- cULus listed for wet locations.
- DLC standard listed.
- Complies with FCC part 15, class A.
- IP66 rated for ingress protection.
- IK10 rated for impact protection.

WARRANTY

- 5 year warranty on all electronics and housing.



| Model # | L (in) | W (in) | H (in) | Weight (lbs) |
|----------------------|--------|--------|--------|--------------|
| VTSR-8FT-12109L-3CCT | 94.49 | 3.74 | 3.11 | 10.5 |

* Default kelvin temperature 4000k and highest lumen output.
**L70 & L90 hours are IES TM-21-11 calculated hours.

ORDERING INFORMATION

Example:VTSR-8FT-12109L-3CCT

| Series | Nominal Lumen Output (Selectable) | | Kelvin Selectable |
|----------|-----------------------------------|----------------------------|----------------------------|
| | Model # | Output (lm) | |
| VTSR-8FT | 12109L | 12,000 / 10,000 / 9,000 lm | 3CCT 3500K / 4000K / 5000K |

ACCESSORIES (ORDER SEPARATELY)

Sensor

- HD09VR-PH5-1-90* = Passive infrared sensor with 90° elbow adapter- maximum mounting height = 39FT.
- HD09VR-MH5-1-90* = Microwave step-dimming sensor with 90° elbow adapter - maximum mounting height = 49FT.
- HD05R = Remote control for HD09VR sensors.

*HD09VR series has 5-dial setting capability.

Factory settings or Sensor : detection level = 100%, hold time = 5 sec, stand-by period = 0 sec, stand-by dimming level = 10%, daylight threshold = disabled

Photocell

- HD07VR-A-1-90 = 12VDC photocell with 90° elbow adapter; RCA jack, factory set to turn on at 10 lux, turns off at 100 lux

Mounting Option

- CMK3 = 3 Meter cable mount kit
- CMK5 = 5 Meter cable mount kit

COMPATIBLE DIMMERS AND CONTROLS

| Manufacturer | Model Number | Dimmer Range | Load Switching Capacity |
|--------------|--------------|--------------|-------------------------|
| Americanlite | DWS-010V-T | 10%-100% | 600W |
| Americanlite | DWS-010V-D | 10%-100% | 600W |
| Leviton | IP710-LFZ | 10%-100% | 1200W |
| Lutron | DVSTV | 10%-100% | 450W |

LUMEN TABLES

| Series | Measurements | Low Lumens | | | Mid Lumens | | | High Lumens | | |
|----------------------|--------------|------------|--------|--------|------------|--------|--------|-------------|--------|--------|
| | | 3500K | 4000K | 5000K | 3500K | 4000K | 5000K | 3500K | 4000K | 5000K |
| VTSR-8FT-12109L-3CCT | Lumens | 9,386 | 9,596 | 9,280 | 10,574 | 10,837 | 10,469 | 12,340 | 12,716 | 12,223 |
| | Watt | 68.68 | 66.38 | 69.03 | 78.64 | 75.8 | 79.13 | 92.4 | 90.4 | 94.94 |
| | Efficacy | 136.67 | 144.56 | 134.43 | 134.46 | 142.97 | 132.30 | 133.55 | 140.66 | 128.74 |

ELECTRICAL DATA

| Series | CCT | Input Amps (A) | | | | | | | | |
|----------------------|-------|----------------|------|------|------------|------|------|-------------|------|------|
| | | Low Lumens | | | Mid Lumens | | | High Lumens | | |
| | | 120V | 240V | 277V | 120V | 240V | 277V | 120V | 240V | 277V |
| VTSR-8FT-12109L-3CCT | 3500K | 0.57 | 0.29 | 0.25 | 0.66 | 0.33 | 0.27 | 0.77 | 0.39 | 0.33 |
| | 4000K | 0.55 | 0.28 | 0.24 | 0.63 | 0.32 | 0.27 | 0.75 | 0.38 | 0.33 |
| | 5000K | 0.58 | 0.29 | 0.25 | 0.66 | 0.33 | 0.29 | 0.79 | 0.40 | 0.34 |

Vapor Tight Sensor Ready Lumen & Kelvin Selectable Surface Mounted



STANDARDS



HOUSING

- Light gray polycarbonate housing with stainless steel latches.

ELECTRICAL

- Operating temperature (ambient): -40°C to 43°C (-40°F to 109°F).
- Universal 120-277V AC voltage (50-60Hz) is standard.
- 0-10VDC dimming drivers are standard.
- Emergency driver option available.
- Input transient surge protection = 2.5kV.
- Power factor > 0.90.
- Total Harmonic distortion < 20%.

OPTICAL SYSTEM

- Polycarbonate lens.
- Field selectable 3500K (warm white), 4000K (neutral white) and 5000K (cool white) color temperatures*.
- Tri-lumen selectable delivers 5,000 to 7,000 nominal lumens*.
- Long-life LEDs provide 178,000 hours of operation with at least 70% of initial lumen output (L70), and 54,000 hours with at least 90% of initial lumen output (L90)**.
- Sensor-ready receptacle standard.
- Screw in sensor ready. Remote control required for programming (Sensor and remote control sold separately).
- LED color maintenance < -0.0016 chromaticity shift ($\Delta u'v'$) over the initial 6,000 hours of operation.
- Color rendering index > 80.

MOUNTING

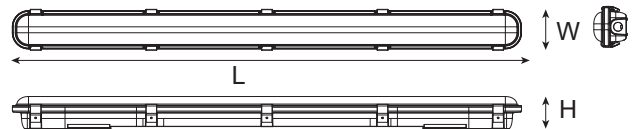
- Surface mount kit is standard and v-hooks included. (Chain supplied by others.)
- Optional cable mount kit provides luminaire suspension.
- Easy installation in new construction or retrofit applications.

CODE COMPLIANCE

- cULus listed for wet locations.
- DLC standard listed.
- Complies with FCC part 15, class A.
- IP65 rated for ingress protection .
- IK10 rated for impact protection.
- Complies with NEMA 4X.
- Optional Certification for NSF/ANSI 2 Food Equipment for Food and Non Splash Zones

WARRANTY

- 5 year warranty on all electronics and housing.



| Model # | L (in) | W (in) | H (in) | Weight (lbs) |
|----------------|--------|--------|--------|--------------|
| VTSR-765L-3CCT | 47.24 | 3.77 | 3.10 | 4.64 |

* Default kelvin temperature 4000k and highest lumen output.
 **L70 & L90 hours are IES TM-21-11 calculated hours.

ORDERING INFORMATION

Example:VTSR-765L-3CCT

| Series | Nominal Lumen Output (Selectable) | | Kelvin Selectable | Emergency Driver | | Certification Options |
|--------|-----------------------------------|--------------------------|----------------------------|----------------------|----------------------|----------------------------------|
| | 765L | 7,000 / 6,000 / 5,000 lm | | EM10 | EM13 | |
| VTSR | 765L | 7,000 / 6,000 / 5,000 lm | 3CCT 3500K / 4000K / 5000K | 10W Emergency Driver | 13W Emergency Driver | NSF= NSF Certifie Blank= None |

ACCESSORIES (ORDER SEPARATELY)

Sensor

- HD07VR-PH-1-90 = Passive infrared sensor with 90° elbow adapter- maximum mounting height = 39FT.
- HD07VR-MH-B-1-90 = Microwave step-dimming sensor with 90° elbow adapter - maximum mounting height = 49FT.
- HD09VR-PH5-1-90* = Passive infrared sensor with 90° elbow adapter- maximum mounting height = 39FT.
- HD09VR-MH5-1-90* = Microwave step-dimming sensor with 90° elbow adapter - maximum mounting height = 49FT.
- HD05R = Remote control for HD07VR-PH-1-90, HD07VR-MH-B-1-90, HD09VR-PH5-1-90 and HD09VR-MH5-1-90 (required for HD07VR models change factory settings)

*HD09VR series has 5-dial setting capability.

Factory settings or Sensor : detection = 100%, hold time = 5 sec, stand-by period = 0 sec, stand-by dimming level = 10%, daylight threshold = disabled

Lens

- ZZ-LENS-VTSR-765L = Replacement lens for VTSR-765L-3CCT

Mounting Options

- CMK3 = 3 Meter cable mount kit
- CMK5 = 5 Meter cable mount kit

Remote Mount EM Drivers

- BLEM-CP-10C = 10W Emergency driver
- BLEM-CP-13C = 13W Emergency driver

COMPATIBLE EMERGENCY DRIVERS-INSTALLED

| Emergency Driver Part Number | EM10 | | EM13 | |
|---------------------------------|-------|-----------|-------|-----------|
| | Watts | EM Lumens | Watts | EM Lumens |
| VTSR-765L-3CCT | 10 | 1441 | 13 | 1768 |

COMPATIBLE DIMMERS AND CONTROLS

| Manufacturer | Model Number | Dimmer Range | Load Switching Capacity |
|--------------|--------------|--------------|-------------------------|
| Americanlite | DWS-010V-T | 10%-100% | 600W |
| Americanlite | DWS-010V-D | 10%-100% | 600W |
| Leviton | IP710-LFZ | 10%-100% | 1200W |
| Lutron | DVSTV | 10%-100% | 450W |

LUMEN TABLES

| Series | Measurements | Low Lumens | | | Mid Lumens | | | High Lumens | | |
|----------------|--------------|------------|--------|--------|------------|--------|--------|-------------|--------|--------|
| | | 3500K | 4000K | 5000K | 3500K | 4000K | 5000K | 3500K | 4000K | 5000K |
| VTSR-765L-3CCT | Lumens | 5157 | 5303 | 5181 | 6009 | 6198 | 6034 | 7295 | 7611 | 7381 |
| | Watt | 37 | 36 | 37 | 44 | 43 | 44 | 53 | 51 | 53 |
| | Efficacy | 139.38 | 147.31 | 140.03 | 136.57 | 144.14 | 137.14 | 137.64 | 149.24 | 139.26 |

ELECTRICAL DATA

| Series | CCT | Input Amps (A) | | | | | | | | |
|----------------|-------|----------------|------|------|------------|------|------|-------------|------|------|
| | | Low Lumens | | | Mid Lumens | | | High Lumens | | |
| | | 120V | 240V | 277V | 120V | 240V | 277V | 120V | 240V | 277V |
| VTSR-765L-3CCT | 3500K | 0.31 | 0.15 | 0.13 | 0.37 | 0.18 | 0.16 | 0.44 | 0.22 | 0.19 |
| | 4000K | 0.30 | 0.15 | 0.13 | 0.36 | 0.18 | 0.16 | 0.43 | 0.21 | 0.18 |
| | 5000K | 0.31 | 0.15 | 0.13 | 0.37 | 0.18 | 0.16 | 0.44 | 0.22 | 0.19 |

PHOTOMETRICS

VTSR-765L-3CCT

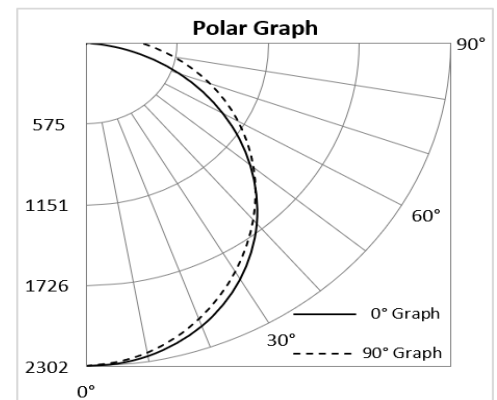
Luminaire Data

| | |
|-----------------------------|---|
| Description | 4' Vapor Tight Slim Lumen and Kelvin Select |
| Total Lumens | 7,382 |
| Input Wattage | 53 |
| Efficacy (lm/W) | 140 |
| Spacing Criterion (0-180°) | 1.26 |
| Spacing Criterion (90-270°) | 1.24 |

Photometrics calculated at 4000k and highest lumen setting.

Zonal Lumen Summary

| Zone | Lumens | %Fixt |
|---------|--------|--------|
| 0-20° | 838 | 11.4% |
| 0-30° | 1,772 | 24.0% |
| 0-40° | 2,893 | 39.2% |
| 20-50° | 3,222 | 43.7% |
| 40-70° | 3,142 | 42.6% |
| 0-60° | 5,146 | 69.7% |
| 0-80° | 6,657 | 90.2% |
| 0-90° | 7,010 | 95.0% |
| 90-180° | 372 | 5.0% |
| 0-180° | 7,382 | 100.0% |



PLUGS AND CORDS

When ordering a plug, use the following suffix choices.

Example: VTSR-765L-3CCT-10C4

Note: Cord & plugs do not affect the ability to install sensors.

| Part number suffix | Description | For use with |
|--------------------|---|---------------------|
| 6C3 | 6' cord - 3 conductor (black/white/green) | Standard |
| 6C4 | 6' cord - 4 conductor (black/white/green/red) | EM driver |
| 6C5 | 6' cord - 5 conductor (black/white/green/purple/pink) | Dimming |
| 6C6 | 6' cord - 6 conductor (black/white/green/red/purple/pink) | Dimming & EM driver |
| 10C3 | 10' cord - 3 conductor (black/white/green) | Standard |
| 10C4 | 10' cord - 4 conductor (black/white/green/red) | EM driver |
| 10C5 | 10' cord - 5 conductor (black/white/green/purple/pink) | Dimming |
| 10C6 | 10' cord - 6 conductor (black/white/green/red/purple/pink) | Dimming & EM driver |
| 15C3 | 15' cord - 3 conductor (black/white/green) | Standard |
| 15C4 | 15' cord - 4 conductor (black/white/green/red) | EM driver |
| 15C5 | 15' cord - 5 conductor (black/white/green/purple/pink) | Dimming |
| 15C6 | 15' cord - 6 conductor (black/white/green/red/purple/pink) | Dimming & EM driver |
| 6P515 | 6' cord - 3 conductor (black/white/green) - NEMA 5-15 plug (120V/15A) | Standard luminaire |
| 6P615 | 6' cord - 3 conductor (black/white/green) - NEMA 6-15 plug (240V/15A) | Standard luminaire |
| 6P715 | 6' cord - 3 conductor (black/white/green) - NEMA 7-15 plug (277V/15A) | Standard luminaire |
| 6P520 | 6' cord - 3 conductor (black/white/green) - NEMA 5-20 plug (120V/20A) | Standard luminaire |
| 6P620 | 6' cord - 3 conductor (black/white/green) - NEMA 6-20 plug (277V/20A) | Standard luminaire |
| 6P515L | 6' cord - 3 conductor (black/white/green) - NEMA L5-15 plug (120V/15A locking) | Standard luminaire |
| 6P615L | 6' cord - 3 conductor (black/white/green) - NEMA L6-15 plug (240V/15A locking) | Standard luminaire |
| 6P715L | 6' cord - 3 conductor (black/white/green) - NEMA L7-15 plug (277V/15A locking) | Standard luminaire |
| 6P520L | 6' cord - 3 conductor (black/white/green) - NEMA L5-20 plug (120V/20A locking) | Standard luminaire |
| 6P620L | 6' cord - 3 conductor (black/white/green) - NEMA L6-20 plug (240V/20A locking) | Standard luminaire |
| 6P720L | 6' cord - 3 conductor (black/white/green) - NEMA L7-20 plug (277V/20A locking) | Standard luminaire |
| 10P515 | 10' cord - 3 conductor (black/white/green) - NEMA 5-15 plug (120V/15A) | Standard luminaire |
| 10P615 | 10' cord - 3 conductor (black/white/green) - NEMA 6-15 plug (240V/15A) | Standard luminaire |
| 10P715 | 10' cord - 3 conductor (black/white/green) - NEMA 7-15 plug (277V/15A) | Standard luminaire |
| 10P520 | 10' cord - 3 conductor (black/white/green) - NEMA 5-20 plug (120V/20A) | Standard luminaire |
| 10P620 | 10' cord - 3 conductor (black/white/green) - NEMA 6-20 plug (277V/20A) | Standard luminaire |
| 10P515L | 10' cord - 3 conductor (black/white/green) - NEMA L5-15 plug (120V/15A locking) | Standard luminaire |
| 10P615L | 10' cord - 3 conductor (black/white/green) - NEMA L6-15 plug (240V/15A locking) | Standard luminaire |
| 10P715L | 10' cord - 3 conductor (black/white/green) - NEMA L7-15 plug (277V/15A locking) | Standard luminaire |
| 10P520L | 10' cord - 3 conductor (black/white/green) - NEMA L5-20 plug (120V/20A locking) | Standard luminaire |
| 10P620L | 10' cord - 3 conductor (black/white/green) - NEMA L6-20 plug (240V/20A locking) | Standard luminaire |

| Part number suffix | Description | For use with |
|--------------------|---|--------------------|
| 10P720L | 10' cord - 3 conductor (black/white/green) - NEMA L7-20 plug (277V/20A locking) | Standard luminaire |
| 15P515 | 15' cord - 3 conductor (black/white/green) - NEMA 5-15 plug (120V/15A) | Standard luminaire |
| 15P615 | 15' cord - 3 conductor (black/white/green) - NEMA 6-15 plug (240V/15A) | Standard luminaire |
| 15P715 | 15' cord - 3 conductor (black/white/green) - NEMA 7-15 plug (277V/15A) | Standard luminaire |
| 15P520 | 15' cord - 3 conductor (black/white/green) - NEMA 5-20 plug (120V/20A) | Standard luminaire |
| 15P620 | 15' cord - 3 conductor (black/white/green) - NEMA 6-20 plug (277V/20A) | Standard luminaire |
| 15P515L | 15' cord - 3 conductor (black/white/green) - NEMA L5-15 plug (120V/15A locking) | Standard luminaire |
| 15P615L | 15' cord - 3 conductor (black/white/green) - NEMA L6-15 plug (240V/15A locking) | Standard luminaire |
| 15P715L | 15' cord - 3 conductor (black/white/green) - NEMA L7-15 plug (277V/15A locking) | Standard luminaire |
| 15P520L | 15' cord - 3 conductor (black/white/green) - NEMA L5-20 plug (120V/20A locking) | Standard luminaire |
| 15P620L | 15' cord - 3 conductor (black/white/green) - NEMA L6-20 plug (240V/20A locking) | Standard luminaire |
| 15P720L | 15' cord - 3 conductor (black/white/green) - NEMA L7-20 plug (277V/20A locking) | Standard luminaire |

Vapor Tight Sensor Ready Lumen & Kelvin Selectable



STANDARDS



HOUSING

- Light gray polycarbonate housing with stainless steel latches.

ELECTRICAL

- Operating temperature (ambient): -40°C to 43°C (-40°F to 109°F).
- Universal 120-277V AC voltage (50-60Hz) is standard.
- 0-10VDC dimming drivers are standard.
- Emergency driver option available.
- Input transient surge protection = 2.5kV.
- Power factor > 0.90.
- Total Harmonic distortion < 20%.

OPTICAL SYSTEM

- Polycarbonate lens.
- Field selectable 3500K (warm white), 4000K (neutral white) and 5000K (cool white) color temperatures*.
- Tri-lumen selectable delivers 16,000 to 21,000 nominal lumens*.
- Long-life LEDs provide 178,000 hours of operation with at least 70% of initial lumen output (L70), and 54,000 hours with at least 90% of initial lumen output (L90)**.
- Sensor-ready receptacle standard.
- Screw in sensor ready. Remote control required for programming (Sensor and remote control sold separately).
- LED color maintenance < -0.0016 chromaticity shift ($\Delta u'v'$) over the initial 6,000 hours of operation.
- Color rendering index > 80.

* Default kelvin temperature 4000k and highest lumen output.
**L70 & L90 hours are IES TM-21-11 calculated hours.

MOUNTING

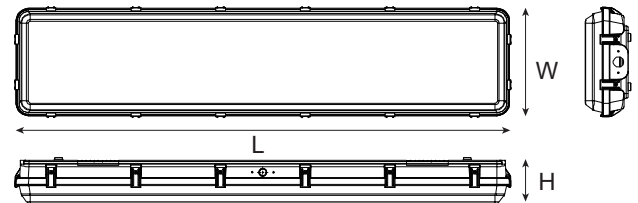
- Surface mount kit is standard and v-hooks included. (Chain supplied by others.)
- Optional cable mount kit provides luminaire suspension.
- Easy installation in new construction or retrofit applications.

CODE COMPLIANCE

- cULus listed for wet locations.
- DLC premium listed.
- Complies with FCC part 15, class A.
- IP66 rated for ingress protection.
- IK10 rated for impact protection.
- Complies with NEMA 4X.
- Optional Certification for NSF/ANSI 2 Food Equipment for Food and Non Splash Zones

WARRANTY

- 5 year warranty on all electronics and housing.



| Model # | L (in) | W (in) | H (in) | Weight (lbs) |
|-------------------|--------|--------|--------|--------------|
| VTSR-211816L-3CCT | 47.50 | 10.48 | 4.53 | 14.81 |

ORDERING INFORMATION

Example:VTSR-211816L-3CCT

| Series | Nominal Lumen Output (Selectable) | | Kelvin Selectable | Emergency Driver | Certification Options |
|--------|-----------------------------------|-----------------------------|----------------------------|---|----------------------------------|
| VTSR | 211816L | 21,000 / 18,000 / 16,000 lm | 3CCT 3500K / 4000K / 5000K | EM10 10W Emergency Driver EM13 13W Emergency Driver Blank No Emergency Driver | NSF= NSF Certifie Blank= None |

ACCESSORIES (ORDER SEPARATELY)

Sensor

- HD07VR-PH-1-90 = Passive infrared sensor with 90° elbow adapter- maximum mounting height = 39FT.
 - HD07VR-MH-B-1-90 = Microwave step-dimming sensor with 90° elbow adapter - maximum mounting height = 49FT.
 - HD09VR-PH5-1-90* = Passive infrared sensor with 90° elbow adapter- maximum mounting height = 39FT.
 - HD09VR-MH5-1-90* = Microwave step-dimming sensor with 90° elbow adapter - maximum mounting height = 49FT.
 - HD05R = Remote control for HD07VR-PH-1-90, HD07VR-MH-B-1-90, HD09VR-PH5-1-90 and HD09VR-MH5-1-90 (required for HD07VR models change factory settings)
- *HD09VR series has 5-dial setting capability.

Factory settings for Sensor : detection area =100%, hold time = 5 sec, stand-by period = 0 sec, stand-by dimming level = 10%, daylight threshold = disabled

Lens

ZZ-LENS-VTSR-211816L = Replacement lens for VTSR-211816L-3CCT

Mounting Option

- CMK3 = 3 Meter cable mount kit
- CMK5 = 5 Meter cable mount kit

Remote Mount EM Drivers

- BLEM-CP-10C = 10W Emergency driver
- BLEM-CP-13C = 13W Emergency driver

COMPATIBLE EMERGENCY DRIVERS-INSTALLED

| Emergency Driver Part Number | EM10 | | EM13 | |
|---------------------------------|-------|-----------|-------|-----------|
| | Watts | EM Lumens | Watts | EM Lumens |
| VTSR-211816L-3CCT | 10 | 1600 | 13 | 2080 |

COMPATIBLE DIMMERS AND CONTROLS

| Manufacturer | Model Number | Dimmer Range | Load Switching Capacity |
|--------------|--------------|--------------|-------------------------|
| Americanlite | DWS-010V-T | 10%-100% | 600W |
| Americanlite | DWS-010V-D | 10%-100% | 600W |
| Leviton | IP710-LFZ | 10%-100% | 1200W |
| Lutron | DVSTV | 10%-100% | 450W |

LUMEN TABLES

| Series | Measurements | Low Lumens | | | Mid Lumens | | | High Lumens | | |
|-------------------|--------------|------------|--------|--------|------------|--------|--------|-------------|--------|--------|
| | | 3500K | 4000K | 5000K | 3500K | 4000K | 5000K | 3500K | 4000K | 5000K |
| VTSR-211816L-3CCT | Lumens | 15,773 | 16,261 | 16,264 | 17,538 | 18,257 | 18,276 | 20,359 | 21,066 | 21,001 |
| | Watt | 98.58 | 95.48 | 97.59 | 112.21 | 109.07 | 112.12 | 130.57 | 125.32 | 129.16 |
| | Efficacy | 160.00 | 170.31 | 166.66 | 156.30 | 167.39 | 163.00 | 155.92 | 168.10 | 162.60 |

ELECTRICAL DATA

| Series | CCT | Input Amps (A) | | | | | | | | |
|-------------------|-------|----------------|------|------|------------|------|------|-------------|------|------|
| | | Low Lumens | | | Mid Lumens | | | High Lumens | | |
| | | 120V | 240V | 277V | 120V | 240V | 277V | 120V | 240V | 277V |
| VTSR-211816L-3CCT | 3500K | 0.82 | 0.41 | 0.36 | 0.94 | 0.47 | 0.41 | 1.09 | 0.54 | 0.47 |
| | 4000K | 0.80 | 0.40 | 0.34 | 0.91 | 0.45 | 0.39 | 1.04 | 0.52 | 0.45 |
| | 5000K | 0.81 | 0.41 | 0.35 | 0.93 | 0.47 | 0.40 | 1.08 | 0.54 | 0.47 |

PHOTOMETRICS

VTSR-211816L-3CCT

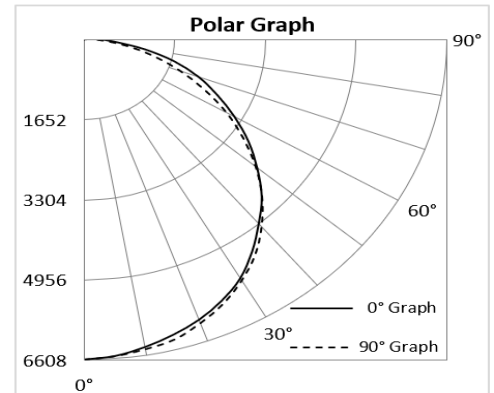
Luminaire Data

| | |
|-----------------------------|---|
| Description | 4' H.O. Vapor Tight Lumen and Kelvin Select |
| Total Lumens | 21,001 |
| Input Wattage | 129 |
| Efficacy (lm/W) | 163 |
| Spacing Criterion (0-180°) | 1.28 |
| Spacing Criterion (90-270°) | 1.3 |

Photometrics calculated at 4000k and highest lumen setting.

Zonal Lumen Summary

| Zone | Lumens | %Fixt |
|---------|--------|--------|
| 0-20° | 2,424 | 11.5% |
| 0-30° | 5,191 | 24.7% |
| 0-40° | 8,586 | 40.9% |
| 20-50° | 9,727 | 46.3% |
| 40-70° | 9,422 | 44.9% |
| 0-60° | 15,422 | 73.4% |
| 0-80° | 19,685 | 93.7% |
| 0-90° | 20,372 | 97.0% |
| 90-180° | 628 | 3.0% |
| 0-180° | 21,001 | 100.0% |



PLUGS AND CORDS

When ordering a plug, use the following suffix choices.

Example: VTSR-211816L-3CCT-10C4

Note: Cord & plugs do not affect the ability to install sensors.

| Part number suffix | Description | For use with |
|--------------------|---|---------------------|
| 6C3 | 6' cord - 3 conductor (black/white/green) | Standard |
| 6C4 | 6' cord - 4 conductor (black/white/green/red) | EM driver |
| 6C5 | 6' cord - 5 conductor (black/white/green/purple/pink) | Dimming |
| 6C6 | 6' cord - 6 conductor (black/white/green/red/purple/pink) | Dimming & EM driver |
| 10C3 | 10' cord - 3 conductor (black/white/green) | Standard |
| 10C4 | 10' cord - 4 conductor (black/white/green/red) | EM driver |
| 10C5 | 10' cord - 5 conductor (black/white/green/purple/pink) | Dimming |
| 10C6 | 10' cord - 6 conductor (black/white/green/red/purple/pink) | Dimming & EM driver |
| 15C3 | 15' cord - 3 conductor (black/white/green) | Standard |
| 15C4 | 15' cord - 4 conductor (black/white/green/red) | EM driver |
| 15C5 | 15' cord - 5 conductor (black/white/green/purple/pink) | Dimming |
| 15C6 | 15' cord - 6 conductor (black/white/green/red/purple/pink) | Dimming & EM driver |
| 6P515 | 6' cord - 3 conductor (black/white/green) - NEMA 5-15 plug (120V/15A) | Standard luminaire |
| 6P615 | 6' cord - 3 conductor (black/white/green) - NEMA 6-15 plug (240V/15A) | Standard luminaire |
| 6P715 | 6' cord - 3 conductor (black/white/green) - NEMA 7-15 plug (277V/15A) | Standard luminaire |
| 6P520 | 6' cord - 3 conductor (black/white/green) - NEMA 5-20 plug (120V/20A) | Standard luminaire |
| 6P620 | 6' cord - 3 conductor (black/white/green) - NEMA 6-20 plug (277V/20A) | Standard luminaire |
| 6P515L | 6' cord - 3 conductor (black/white/green) - NEMA L5-15 plug (120V/15A locking) | Standard luminaire |
| 6P615L | 6' cord - 3 conductor (black/white/green) - NEMA L6-15 plug (240V/15A locking) | Standard luminaire |
| 6P715L | 6' cord - 3 conductor (black/white/green) - NEMA L7-15 plug (277V/15A locking) | Standard luminaire |
| 6P520L | 6' cord - 3 conductor (black/white/green) - NEMA L5-20 plug (120V/20A locking) | Standard luminaire |
| 6P620L | 6' cord - 3 conductor (black/white/green) - NEMA L6-20 plug (240V/20A locking) | Standard luminaire |
| 6P720L | 6' cord - 3 conductor (black/white/green) - NEMA L7-20 plug (277V/20A locking) | Standard luminaire |
| 10P515 | 10' cord - 3 conductor (black/white/green) - NEMA 5-15 plug (120V/15A) | Standard luminaire |
| 10P615 | 10' cord - 3 conductor (black/white/green) - NEMA 6-15 plug (240V/15A) | Standard luminaire |
| 10P715 | 10' cord - 3 conductor (black/white/green) - NEMA 7-15 plug (277V/15A) | Standard luminaire |
| 10P520 | 10' cord - 3 conductor (black/white/green) - NEMA 5-20 plug (120V/20A) | Standard luminaire |
| 10P620 | 10' cord - 3 conductor (black/white/green) - NEMA 6-20 plug (277V/20A) | Standard luminaire |
| 10P515L | 10' cord - 3 conductor (black/white/green) - NEMA L5-15 plug (120V/15A locking) | Standard luminaire |
| 10P615L | 10' cord - 3 conductor (black/white/green) - NEMA L6-15 plug (240V/15A locking) | Standard luminaire |
| 10P715L | 10' cord - 3 conductor (black/white/green) - NEMA L7-15 plug (277V/15A locking) | Standard luminaire |
| 10P520L | 10' cord - 3 conductor (black/white/green) - NEMA L5-20 plug (120V/20A locking) | Standard luminaire |
| 10P620L | 10' cord - 3 conductor (black/white/green) - NEMA L6-20 plug (240V/20A locking) | Standard luminaire |

| Part number suffix | Description | For use with |
|--------------------|---|--------------------|
| 10P720L | 10' cord - 3 conductor (black/white/green) - NEMA L7-20 plug (277V/20A locking) | Standard luminaire |
| 15P515 | 15' cord - 3 conductor (black/white/green) - NEMA 5-15 plug (120V/15A) | Standard luminaire |
| 15P615 | 15' cord - 3 conductor (black/white/green) - NEMA 6-15 plug (240V/15A) | Standard luminaire |
| 15P715 | 15' cord - 3 conductor (black/white/green) - NEMA 7-15 plug (277V/15A) | Standard luminaire |
| 15P520 | 15' cord - 3 conductor (black/white/green) - NEMA 5-20 plug (120V/20A) | Standard luminaire |
| 15P620 | 15' cord - 3 conductor (black/white/green) - NEMA 6-20 plug (277V/20A) | Standard luminaire |
| 15P515L | 15' cord - 3 conductor (black/white/green) - NEMA L5-15 plug (120V/15A locking) | Standard luminaire |
| 15P615L | 15' cord - 3 conductor (black/white/green) - NEMA L6-15 plug (240V/15A locking) | Standard luminaire |
| 15P715L | 15' cord - 3 conductor (black/white/green) - NEMA L7-15 plug (277V/15A locking) | Standard luminaire |
| 15P520L | 15' cord - 3 conductor (black/white/green) - NEMA L5-20 plug (120V/20A locking) | Standard luminaire |
| 15P620L | 15' cord - 3 conductor (black/white/green) - NEMA L6-20 plug (240V/20A locking) | Standard luminaire |
| 15P720L | 15' cord - 3 conductor (black/white/green) - NEMA L7-20 plug (277V/20A locking) | Standard luminaire |

Stairwell Luminaire Lumen & Kelvin Selectable

STANDARDS



HOUSING

- Premium powder-coat, steel, white housing.

ELECTRICAL

- Operating temperature (ambient): -25°C to 50°C (-13°F to 122°F).
- Universal 120-277V AC voltage (50-60Hz) is standard.
- 0-10VDC dimming drivers are standard.
- Emergency driver option available.
- Input transient surge protection = 1kV.
- Power factor > 0.90.
- Total Harmonic distortion < 20%.

OPTICAL SYSTEM

- PMMA (polymethyl methacrylate) frosted lens.
- Field selectable 3500k(warm white), 4000k (neutral white) and 5000k (cool white) color temperatures.*
- Tri-lumen selectable delivers 2,100 to 3,300 nominal lumens (see lumen tables on page 2).**
- Long-life LEDs provide 190,000 hours of operation with at least 70% of initial lumen output (L70), and 58,000 hours with at least 90% of initial lumen output (L90).***
- Optional occupancy dimming Sensor (factory installed).
- Remote control required for programming (see default settings on Page 2).
- LED color maintenance < 0.002 chromaticity shift ($\Delta u'v'$) over the initial 6,000 hours of operation.
- Color rendering index > 80%.

* Default kelvin temperature = 4000k.
 ** Default power setting = highest lumen output.
 ***L70 & L90 hours are IES TM-21-11 calculated hours.

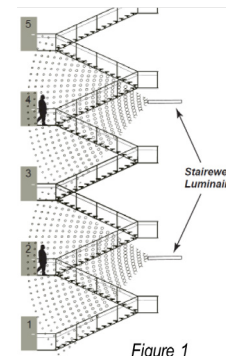


Figure 1

MOUNTING

- Surface mount.

CODE COMPLIANCE

- cULus listed for damp locations.
- DLC premium listed.
- Complies with FCC part 15, class A.
- Complies with UL924 when Emergency driver is installed.

WARRANTY

- 5 year warranty on all electronics and housing.



| Model # | L (in) | W (in) | H (in) | Weight (lbs) |
|-------------------------|--------|--------|--------|--------------|
| SW-2FT-332721L-3CCT | 22.25 | 4.25 | 4.00 | 3.70 |
| SW-2FT-332721L-3CCT-ODS | 22.25 | 4.25 | 4.00 | 3.75 |

ORDERING INFORMATION

Example: SW-2FT-332721L-3CCT

| Series | Nominal Lumen Output (Selectable) | | Kelvin Selectable | Emergency Driver | | Sensor | | |
|--------|-----------------------------------|-----------------------|--------------------|---------------------|----------------------|---------------------|----------------------|-----------|
| | 3,300 | 2,700 / 2,100 | | EM5 | EM10 | Blank | Blank | Blank |
| SW-2FT | 332721L | 3,300 / 2,700 / 2,100 | 3CCT 35K / 4K / 5K | 5W Emergency Driver | 10W Emergency Driver | No Emergency Driver | ODS Microwave Sensor | No Sensor |

ACCESSORIES (ORDER SEPARATELY)

Sensor:

- US002 = Default sensor settings: detection area =100%, hold time = 5 sec, daylight threshold = disabled, stand-by period = 0 sec, stand-by dimming level = 10%
- HD03R = Remote control required for programming (sold separately)

Remote Mount EM Drivers:

- BLEM-SLP-CP-5C = 5W Emergency Driver W/Conduit
- BLEM-SLP-CP-10C = 10W Emergency Driver W/Conduit

LUMEN TABLES

| Series | Measurements | Low Lumens | | | Mid Lumens | | | High Lumens | | |
|---------------------|--------------|------------|-------|-------|------------|-------|-------|-------------|-------|-------|
| | | 3500k | 4000k | 5000k | 3500k | 4000k | 5000k | 3500k | 4000k | 5000k |
| SW-2FT-332721L-3CCT | Lumens | 2,048 | 2,132 | 2,124 | 2,728 | 2,880 | 2,789 | 3,249 | 3,462 | 3,324 |
| | Watt | 15.29 | 14.86 | 15.49 | 20.80 | 20.12 | 20.76 | 25.41 | 24.48 | 25.39 |
| | Efficacy | 134 | 143 | 137 | 131 | 143 | 134 | 128 | 141 | 131 |

ELECTRICAL DATA

| Series | CCT | Input Amps (A) | | | | | | | | |
|---------------------|-------|----------------|------|------|------------|------|------|-------------|------|------|
| | | Low Lumens | | | Mid Lumens | | | High Lumens | | |
| | | 120V | 240V | 277V | 120V | 240V | 277V | 120V | 240V | 277V |
| SW-2FT-332721L-3CCT | 3500k | 0.13 | 0.06 | 0.06 | 0.17 | 0.09 | 0.08 | 0.21 | 0.11 | 0.09 |
| | 4000k | 0.12 | 0.06 | 0.05 | 0.17 | 0.08 | 0.07 | 0.20 | 0.10 | 0.09 |
| | 5000k | 0.13 | 0.06 | 0.06 | 0.17 | 0.09 | 0.07 | 0.21 | 0.11 | 0.09 |

PHOTOMETRICS

SW-2FT-332721L-3CCT

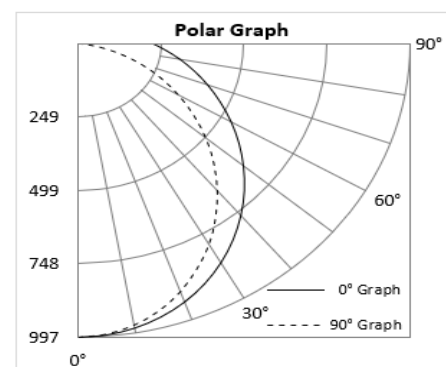
Luminaire Data

| Description | 2FT Stairwell Luminaire Lumen and Kelvin Select |
|-----------------------------|---|
| Total Lumens | 3,324 |
| Input Wattage | 25 |
| Efficacy (lm/W) | 131 |
| Spacing Criterion (0-180°) | 1.3 |
| Spacing Criterion (90-270°) | 1.2 |

Photometrics calculated at 5000k - high lumens setting

Zonal Lumen Summary

| Zone | Lumens | %Fixt |
|---------|--------|--------|
| 0-20° | 363 | 10.9% |
| 0-30° | 767 | 23.1% |
| 0-40° | 1,251 | 37.6% |
| 20-50° | 1,390 | 41.8% |
| 40-70° | 1,346 | 40.5% |
| 0-60° | 2,216 | 66.7% |
| 0-80° | 2,877 | 86.5% |
| 0-90° | 3,058 | 92.0% |
| 90-180° | 266 | 8.0% |
| 0-180° | 3,324 | 100.0% |



COMPATIBLE EMERGENCY DRIVERS-INSTALLED

| Emergency Driver Part Number | EM5 | | EM10 | | |
|------------------------------|-------|-------|-----------|-------|-----------|
| | Model | Watts | EM Lumens | Watts | EM Lumens |
| SW-2FT-332721L-3CCT | | 5 | 640 | 10 | 1280 |
| SW-2FT-332721L-3CCT-ODS | | 5 | 640 | 10 | 1280 |

COMPATIBLE DIMMERS AND CONTROLS

| Manufacturer | Model Number | Dimmer Range | Load Switching Capacity |
|--------------|--------------|--------------|-------------------------|
| Americanlite | DWS-010V-T | 10%-100% | 600W |
| Americanlite | DWS-010V-D | 10%-100% | 600W |
| Leviton | IP710-LFZ | 10%-100% | 1200W |
| Lutron | DVSTV | 10%-100% | 450W |

PLUGS AND CORDS

| Part number suffix | Description | For use with |
|--------------------|---|---------------------|
| 6C3 | 6' cord - 3 conductor (black/white/green) | Standard |
| 6C4 | 6' cord - 4 conductor (black/white/green/red) | EM driver |
| 6C5 | 6' cord - 5 conductor (black/white/green/purple/pink) | Dimming |
| 6C6 | 6' cord - 6 conductor (black/white/green/red/purple/pink) | Dimming & EM driver |
| 10C3 | 10' cord - 3 conductor (black/white/green) | Standard |
| 10C4 | 10' cord - 4 conductor (black/white/green/red) | EM driver |
| 10C5 | 10' cord - 5 conductor (black/white/green/purple/pink) | Dimming |
| 10C6 | 10' cord - 6 conductor (black/white/green/red/purple/pink) | Dimming & EM driver |
| 15C3 | 15' cord - 3 conductor (black/white/green) | Standard |
| 15C4 | 15' cord - 4 conductor (black/white/green/red) | EM driver |
| 15C5 | 15' cord - 5 conductor (black/white/green/purple/pink) | Dimming |
| 15C6 | 15' cord - 6 conductor (black/white/green/red/purple/pink) | Dimming & EM driver |
| 6W3 | 6' whip - 3 conductor (black/white/green) | Standard |
| 6W4 | 6' whip - 4 conductor (black/white/green/red) | EM driver |
| 6W5 | 6' whip - 5 conductor (black/white/green/purple/pink) | Dimming |
| 6W6 | 6' whip - 6 conductor (black/white/green/red/purple/pink) | Dimming & EM driver |
| 6P515 | 6' cord - 3 conductor (black/white/green) - NEMA 5-15 plug (120V/15A) | Standard luminaire |
| 6P615 | 6' cord - 3 conductor (black/white/green) - NEMA 6-15 plug (240V/15A) | Standard luminaire |

PLUGS AND CORDS

| Part number suffix | Description | For use with |
|--------------------|---|--------------------|
| 6P715 | 6' cord - 3 conductor (black/white/green) - NEMA 7-15 plug (277V/15A) | Standard luminaire |
| 6P520 | 6' cord - 3 conductor (black/white/green) - NEMA 5-20 plug (120V/20A) | Standard luminaire |
| 6P620 | 6' cord - 3 conductor (black/white/green) - NEMA 6-20 plug (277V/20A) | Standard luminaire |
| 6P515L | 6' cord - 3 conductor (black/white/green) - NEMA L5-15 plug (120V/15A locking) | Standard luminaire |
| 6P615L | 6' cord - 3 conductor (black/white/green) - NEMA L6-15 plug (240V/15A locking) | Standard luminaire |
| 6P715L | 6' cord - 3 conductor (black/white/green) - NEMA L7-15 plug (277V/15A locking) | Standard luminaire |
| 6P520L | 6' cord - 3 conductor (black/white/green) - NEMA L5-20 plug (120V/20A locking) | Standard luminaire |
| 6P620L | 6' cord - 3 conductor (black/white/green) - NEMA L6-20 plug (240V/20A locking) | Standard luminaire |
| 6P720L | 6' cord - 3 conductor (black/white/green) - NEMA L7-20 plug (277V/20A locking) | Standard luminaire |
| 10P515 | 10' cord - 3 conductor (black/white/green) - NEMA 5-15 plug (120V/15A) | Standard luminaire |
| 10P615 | 10' cord - 3 conductor (black/white/green) - NEMA 6-15 plug (240V/15A) | Standard luminaire |
| 10P715 | 10' cord - 3 conductor (black/white/green) - NEMA 7-15 plug (277V/15A) | Standard luminaire |
| 10P520 | 10' cord - 3 conductor (black/white/green) - NEMA 5-20 plug (120V/20A) | Standard luminaire |
| 10P620 | 10' cord - 3 conductor (black/white/green) - NEMA 6-20 plug (277V/20A) | Standard luminaire |
| 10P515L | 10' cord - 3 conductor (black/white/green) - NEMA L5-15 plug (120V/15A locking) | Standard luminaire |
| 10P615L | 10' cord - 3 conductor (black/white/green) - NEMA L6-15 plug (240V/15A locking) | Standard luminaire |
| 10P715L | 10' cord - 3 conductor (black/white/green) - NEMA L7-15 plug (277V/15A locking) | Standard luminaire |
| 10P520L | 10' cord - 3 conductor (black/white/green) - NEMA L5-20 plug (120V/20A locking) | Standard luminaire |
| 10P620L | 10' cord - 3 conductor (black/white/green) - NEMA L6-20 plug (240V/20A locking) | Standard luminaire |
| 10P720L | 10' cord - 3 conductor (black/white/green) - NEMA L7-20 plug (277V/20A locking) | Standard luminaire |
| 15P515 | 15' cord - 3 conductor (black/white/green) - NEMA 5-15 plug (120V/15A) | Standard luminaire |
| 15P615 | 15' cord - 3 conductor (black/white/green) - NEMA 6-15 plug (240V/15A) | Standard luminaire |
| 15P715 | 15' cord - 3 conductor (black/white/green) - NEMA 7-15 plug (277V/15A) | Standard luminaire |
| 15P520 | 15' cord - 3 conductor (black/white/green) - NEMA 5-20 plug (120V/20A) | Standard luminaire |
| 15P620 | 15' cord - 3 conductor (black/white/green) - NEMA 6-20 plug (277V/20A) | Standard luminaire |
| 15P515L | 15' cord - 3 conductor (black/white/green) - NEMA L5-15 plug (120V/15A locking) | Standard luminaire |
| 15P615L | 15' cord - 3 conductor (black/white/green) - NEMA L6-15 plug (240V/15A locking) | Standard luminaire |
| 15P715L | 15' cord - 3 conductor (black/white/green) - NEMA L7-15 plug (277V/15A locking) | Standard luminaire |
| 15P520L | 15' cord - 3 conductor (black/white/green) - NEMA L5-20 plug (120V/20A locking) | Standard luminaire |
| 15P620L | 15' cord - 3 conductor (black/white/green) - NEMA L6-20 plug (240V/20A locking) | Standard luminaire |
| 15P720L | 15' cord - 3 conductor (black/white/green) - NEMA L7-20 plug (277V/20A locking) | Standard luminaire |

Lumen and Kelvin Field Selectable Stairwell Luminaire

STANDARD

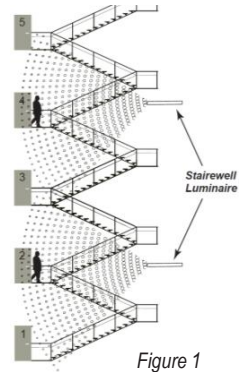


FEATURES

- Field selectable 3500k (warm/neutral white), 4000k (neutral white), and 5000k (cool white) color temperatures.*
- Long-life LEDs provide 190,000 hours of operation with at least 70% of initial lumen output (L_{70}), and 58,000 hours with at least 90% of initial lumen output (L_{90} **).
- Selectable lumen outputs range from 4200 nominal lumens to 6000 nominal lumens.
- Universal 120-277 AC voltage (50-60Hz) is standard.
- 0-10vdc dimming drivers are standard.
- Power factor > 0.90.
- Total harmonic distortion < 20%.
- Color rendering index > 80.
- Painted steel housing and PMMA (polymethyl methacrylate) frosted lenses are standard.
- Optional occupancy dimming sensor specifically designed to sense motion and illuminate both up and down stairwells (see figure 1).
- Easy installation in new construction or retrofit.

* Contact factory for other color temperatures and lumen packages.

** L_{70} hours are IES TM-21-11 calculated hours.



WARRANTY & LISTINGS

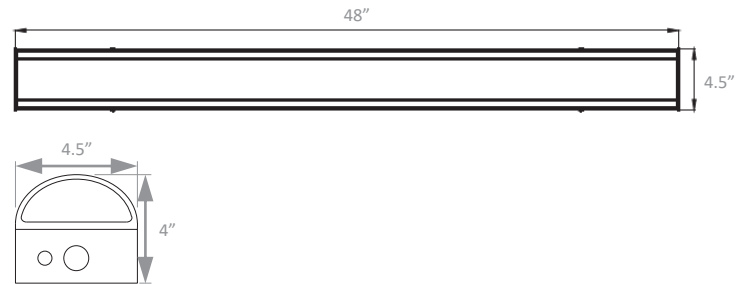
- cULus listed for damp locations ambient temperatures from -20°C to 50°C (-4°F to 122°F).
- cULus 1598 and 924 listed.*
- DLC 5.1 premium approved.
- Complies with FCC Part 15, class A.
- Complies with IEEE C.62.41-1991, input transient protection (2.0kV).
- 5-year warranty of all electronics and housing.

* UL 924 listed when used with emergency drivers.

MOUNTING OPTIONS

- Surface Mounting

DIMENSIONS



| Model | Length (L) | Width (W) | Height (H) | Weight |
|---------|------------|-----------|------------|--------|
| SW-LKFS | 48" | 4.5" | 4" | 8 lbs. |

ORDERING INFORMATION

Example: SW-LKFS-ODS-EM8

| Series | Lumen Output/ Color Temperature | | Occupancy Sensor + Dimming ^{1,2} | | Optional Emergency Driver | | Accessories (Order Separately) | | | | |
|--------|------------------------------------|-------------------|--|-------|------------------------------|------|-----------------------------------|-------|-----------------------|--|--|
| | LKFS* | Selectable Lumens | Selectable CCT | Blank | No Sensor | EM5 | 600 lumens | HD03R | Sensor remote control | | |
| | | 4,200 lm | 3500k | ODS | Occupancy Dimming Sensor | EM10 | 1200 lumens | | | | |
| | | 4,800 lm | 4000k | | | | | EM13 | 1560 lumens | | |
| | | 6,000 lm | 5000k | | | | | Blank | No emergency driver | | |

¹ Remote control Required for programming (sold separately).

² Default sensor settings: detection area = 100%, hold time = 5 seconds, daylight threshold = disabled, stand-by period = 0 seconds, stand-by dimming level = 10%

ELECTRICAL

| Series | Measurements | Low Lumens | | | Mid Lumens | | | High Lumens | | |
|--------------|-------------------|--------------|--------------|--------------|--------------|--------------|--------------|--------------|--------------|--------------|
| | | 3500K | 4000K | 5000K | 3500K | 4000K | 5000K | 3500K | 4000K | 5000K |
| SW-LKFS | Lumens | 4245 | 4311 | 4208 | 4820 | 4941 | 4792 | 6226 | 6499 | 6056 |
| | Watts | 29 | 28 | 29 | 34 | 33 | 34 | 46 | 45 | 46 |
| | Efficacy | 145 | 152 | 143 | 143 | 150 | 141 | 135 | 146 | 130 |
| | Input Current (A) | 120V = 0.24A | 120V = 0.23A | 120V = 0.24A | 120V = 0.28A | 120V = 0.28A | 120V = 0.28A | 120V = 0.38A | 120V = 0.38A | 120V = 0.38A |
| 240V = 0.12A | | 240V = 0.12A | 240V = 0.12A | 240V = 0.14A | 240V = 0.14A | 240V = 0.14A | 240V = 0.19A | 240V = 0.19A | 240V = 0.19A | |
| 277V = 0.10A | | 277V = 0.10A | 277V = 0.10A | 277V = 0.12A | 277V = 0.12A | 277V = 0.12A | 277V = 0.17A | 277V = 0.16A | 277V = 0.17A | |

PHOTOMETRIC DATA

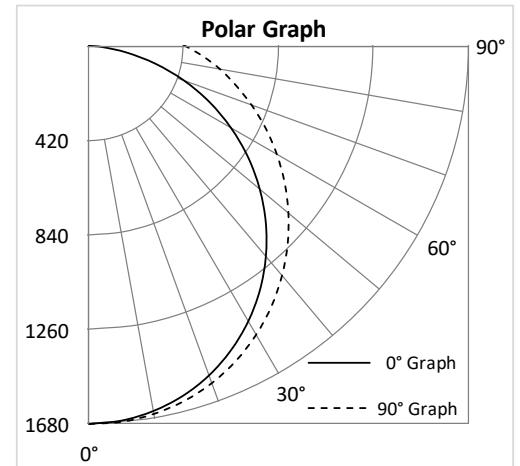
SW-LKFS

Luminaire Data

| Description | Stairwell Luminaire LKFS - 5K |
|--------------------------------|----------------------------------|
| Total Lumens | 6,056 |
| Input Wattage | 46 |
| Efficacy (lm/W) | 131 |
| Spacing Criterion (0-180°) | 1.26 |
| Spacing Criterion (90-270°) | 1.32 |

Zonal Lumen Summary

| Zone | Lumens | %Fixt |
|---------|--------|--------|
| 0-20° | 617 | 10.2% |
| 0-30° | 1,315 | 21.7% |
| 0-40° | 2,169 | 35.8% |
| 20-50° | 2,462 | 40.7% |
| 40-70° | 2,492 | 41.1% |
| 0-60° | 3,937 | 65.0% |
| 0-80° | 5,198 | 85.8% |
| 0-90° | 5,547 | 91.6% |
| 90-180° | 509 | 8.4% |
| 0-180° | 6,056 | 100.0% |



Lumen and Kelvin Field Selectable Strip Light

STANDARD



FEATURES

- Field selectable 3500k (warm/neutral white), 4000k (neutral white), and 5000k (cool white) color temperatures.*
- Long-life LEDs provide 196,000 hours of operation with at least 70% of initial lumen output (L_{70}), and 60,000 hours with at least 90% of initial lumen output (L_{90}).**
- LED chromaticity based on ≤ 4 -step ANSI quadrangles.
- LED color maintenance ≤ 0.002 chromaticity shift ($\Delta u'v'$) over the initial 6,000 hours of operation.
- SL-4FT-5L-LKFS provides a range of 3,700 to 5,200 nominal lumens and 138 to 152 lumens per watt (LPW).*
- SL-8FT-10L-LKFS provides a range of 7,100 to 10,100 nominal lumens and 132 to 149 lumens per watt (LPW).*
- Universal 120-277 AC voltage (50-60Hz) is standard.
- 0-10vdc dimming drivers are standard.
- Power factor > 0.90 .
- Total harmonic distortion $< 20\%$.
- Color rendering index > 80 .
- Steel housing and PMMA lens.
- Optional emergency drivers and occupancy sensors are available.
- Easy installation in new construction or retrofit.

* Contact factory for other color temperatures and lumen packages.

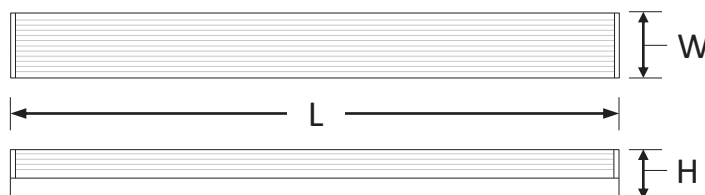
** L_{70} hours are IES TM-21-11 calculated hours.



WARRANTY & LISTINGS

- cULus approved for damp locations in ambient temperatures from -20°C to 50°C (-4°F to 122°F).
- DLC approved.
- Complies with FCC Part 15, Class A.
- Complies with IEEE C.62.41-1991, Class A input transient surge protection (1.0kV).
- 5-year warranty of all electronics and housing.

DIMENSIONS



| | SL-4FT-LKFS | SL-8FT-LKFS |
|--------------|-------------|-------------|
| L | 47.3" | 94.2" |
| W | 3.3" | 3.3" |
| H | 3.5" | 3.5" |
| Weight (lbs) | 4.5 | 9 |

ORDERING INFORMATION

Example: SL-4FT-5L-LKFS-ODS-EM10

| Series | Length | Nominal Lumen Output | | Select | Occupancy Sensor ^{1,2} | | Internally Installed Emergency Drivers ³ | |
|--------|--------|----------------------|-----------------------|--------|---------------------------------|---------------------|---|--------------|
| | | 5L | 10L | | OS | ODS | EM5 | EM10 |
| SL | 4FT | 5L | 5,000 nominal lumens | LKFS | OS | Passive infrared | EM5 | 650 lumens |
| | | 10L | 10,000 nominal lumens | | ODS | Microwave | EM10 | 1,390 lumens |
| | 8FT | 10L | 10,000 nominal lumens | | Blank | No occupancy sensor | EM13 | 1,780 lumens |
| | | Blank | No emergency driver | | Blank | No emergency driver | | |

¹ Contact factory for other sensors.

² OS = passive infrared technology – features include on/off only. ODS = microwave technology – features include on/off, step-dimming, and daylight threshold. Default sensor settings: detection area = 100%, hold time = 5 seconds, stand-by period = 0 seconds, stand-by dimming level = 10%, daylight threshold = disabled. Remote control optional but not required, part number = HD03R.

³ See emergency driver compatibility list (page 2).

COMPATIBLE EMERGENCY DRIVERS*

| Emergency Driver Part Number | EM5 | | EM10 | | EM13 | |
|------------------------------|-------|-----------|-------|-----------|-------|-----------|
| | Watts | EM Lumens | Watts | EM Lumens | Watts | EM Lumens |
| SL-4FT-5L-LKFS | 5.0 | 760 | 10.7 | 1627 | 13.7 | 2083 |
| SL-8FT-10L-LKFS | 5.0 | 760 | 10.7 | 1627 | 13.7 | 2083 |

* Suitable for ambient temperatures above 10°C (50°F).

COMPATIBLE EMERGENCY DRIVERS INTERNALLY INSTALLED^{1 2}

| Model | Emergency Options |
|-----------------|-------------------|
| SL-4FT-5L-LKFS | EM5 |
| SL-8FT-10L-LKFS | EM10 EM13 |

¹ Suitable for ambient temperatures above 10°C (50°F).

² For list of remote mountable emergency drivers, see *ACCESSORIES*.

ACCESSORIES (Order Separately)

Remote Mount Emergency Drivers*

| | | |
|-------------|---|-------------------------|
| BLEM-CP-5C | = | Emergency driver - EM5 |
| BLEM-CP-10C | = | Emergency driver - EM10 |
| BLEM-CP-13C | = | Emergency driver - EM13 |

Wire Guard

| | | |
|-----------|---|----------------------|
| SL-4FT-WG | = | Wire-guard kit – 4FT |
|-----------|---|----------------------|

* Suitable for ambient temperatures above 10°C (50°F).

COMPATIBLE DIMMERS & CONTROLS

| Manufacturer | Model Number | Dimming Range | Load Switching Capacity |
|--------------|--------------|---------------|-------------------------|
| Americanlite | DWS-010V-T | 10%-100% | 600W |
| Americanlite | DWS-010V-D | 10%-100% | 600W |
| Leviton | IP710-LFZ | 10%-100% | 1200W |
| Lutron | DVSTV | 10%-100% | 450W |

ELECTRICAL DATA

| Series | Measurements | Low Lumens | | | Mid Lumens | | | High Lumens | | |
|--------------|-------------------|--------------|--------------|--------------|--------------|--------------|--------------|--------------|--------------|--------------|
| | | 3500K | 4000K | 5000K | 3500K | 4000K | 5000K | 3500K | 4000K | 5000K |
| SL-4FT-LKFS | Lumens | 3690 | 3631 | 3722 | 4336 | 4317 | 4389 | 4876 | 5203 | 4908 |
| | Watts | 26 | 25 | 26 | 31 | 30 | 31 | 35 | 34 | 35 |
| | Efficacy | 143 | 143 | 144 | 140 | 143 | 142 | 138 | 152 | 139 |
| | Input Current (A) | 120V = 0.22A | 120V = 0.21A | 120V = 0.22A | 120V = 0.26A | 120V = 0.25A | 120V = 0.26A | 120V = 0.29A | 120V = 0.28A | 120V = 0.29A |
| 240V = 0.11A | | 240V = 0.10A | 240V = 0.11A | 240V = 0.13A | 240V = 0.13A | 240V = 0.13A | 240V = 0.15A | 240V = 0.14A | 240V = 0.15A | |
| 277V = 0.09A | | 277V = 0.09A | 277V = 0.09A | 277V = 0.11A | 277V = 0.11A | 277V = 0.11A | 277V = 0.13A | 277V = 0.12A | 277V = 0.13A | |

| Series | Measurements | Low Lumens | | | Mid Lumens | | | High Lumens | | |
|--------------|-------------------|--------------|--------------|--------------|--------------|--------------|--------------|--------------|--------------|--------------|
| | | 3500K | 4000K | 5000K | 3500K | 4000K | 5000K | 3500K | 4000K | 5000K |
| SL-8FT-LKFS | Lumens | 7251 | 7135 | 7314 | 8520 | 8483 | 8624 | 9553 | 10,124 | 9619 |
| | Watts | 55 | 55 | 55 | 60 | 60 | 60 | 70 | 68 | 70 |
| | Efficacy | 132 | 130 | 133 | 142 | 141 | 144 | 136 | 149 | 137 |
| | Input Current (A) | 120V = 0.46A | 120V = 0.46A | 120V = 0.46A | 120V = 0.50A | 120V = 0.50A | 120V = 0.50A | 120V = 0.58A | 120V = 0.57A | 120V = 0.58A |
| 240V = 0.23A | | 240V = 0.23A | 240V = 0.23A | 240V = 0.25A | 240V = 0.25A | 240V = 0.25A | 240V = 0.29A | 240V = 0.28A | 240V = 0.29A | |
| 277V = 0.20A | | 277V = 0.20A | 277V = 0.20A | 277V = 0.22A | 277V = 0.22A | 277V = 0.22A | 277V = 0.25A | 277V = 0.25A | 277V = 0.25A | |

PHOTOMETRIC DATA

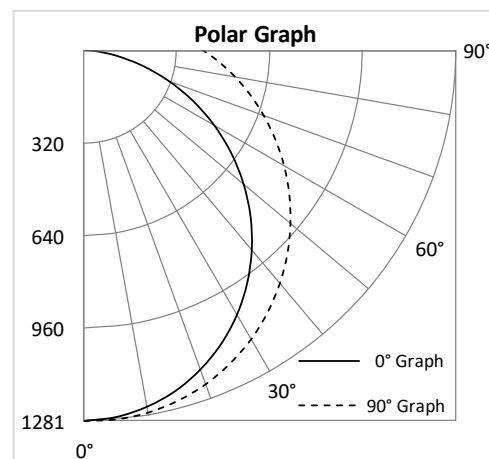
SL-4FT-5L-LKFS

Luminaire Data

| | |
|-----------------------------|--------------------------------|
| Description | 4' Strip Light 5L 5K - LKFS |
| Total Lumens | 4,908 |
| Input Wattage | 35 |
| Efficacy (lm/W) | 139 |
| Spacing Criterion (0-180°) | 1.24 |
| Spacing Criterion (90-270°) | 1.36 |

Zonal Lumen Summary

| Zone | Lumens | %Fixt |
|---------|--------|--------|
| 0-20° | 470 | 9.6% |
| 0-30° | 1,002 | 20.4% |
| 0-40° | 1,653 | 33.7% |
| 20-50° | 1,877 | 38.2% |
| 40-70° | 1,927 | 39.3% |
| 0-60° | 3,009 | 61.3% |
| 0-80° | 4,024 | 82.0% |
| 0-90° | 4,338 | 88.4% |
| 90-180° | 570 | 11.6% |
| 0-180° | 4,908 | 100.0% |



Lumen and Kelvin Field Selectable Strip Light Slim

STANDARD



FEATURES

- Field selectable 3500k (warm/neutral white), 4000k (neutral white), and 5000k (cool white) color temperatures.*
- Long-life LEDs provide 196,000 hours of operation with at least 70% of initial lumen output (L_{70}), and 60,000 hours with at least 90% of initial lumen output (L_{90}).**
- LED chromaticity based on ≤ 4 -step ANSI quadrangles.
- LED color maintenance ≤ 0.002 chromaticity shift ($\Delta u'v'$) over the initial 6,000 hours of operation.
- SLS-4FT-5L-LKFS provides a range of 3,500 to 5,000 nominal lumens.*
- Universal 120-277 AC voltage (50-60Hz) is standard.
- 0-10vdc dimming drivers are standard.
- Power factor > 0.90 .
- Total harmonic distortion $< 20\%$.
- Color rendering index > 80 .
- Steel housing and PMMA lens.
- Optional emergency drivers and occupancy sensors are available.
- Easy installation in new construction or retrofit.

* Contact factory for other color temperatures and lumen packages.

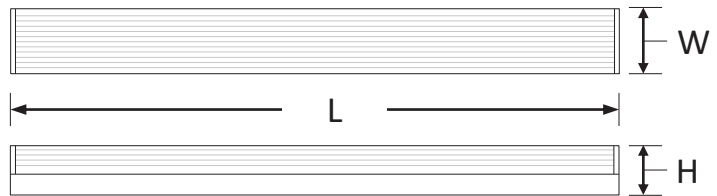
** L_{70} hours are IES TM-21-11 calculated hours.



WARRANTY & LISTINGS

- cULus approved for damp locations in ambient temperatures from -20°C to 50°C (-4°F to 122°F).
- DLC approved.
- Complies with FCC Part 15, Class A.
- Complies with IEEE C.62.41-1991, Class A input transient surge protection (1.0kV).
- 5-year warranty of all electronics and housing.

DIMENSIONS



| | |
|--------------|-------|
| L | 47.3" |
| W | 2.4" |
| H | 2.8" |
| Weight (lbs) | 3.7 |

ORDERING INFORMATION

Example: SLS-4FT-5L-LKFS-OS-EM10

| Series | Length | Nominal Lumen Output | | Select | Occupancy Sensor ^{1,2} | | Internally Installed Emergency Drivers ³ | |
|--------|--------|----------------------|----------------------|--------|---------------------------------|---------------------|---|---------------------|
| | | 5L | 5,000 nominal lumens | | OS | Passive infrared | EM10 | 1,390 lumens |
| SLS | 4FT | | | LKFS | Blank | No occupancy sensor | EM13 | 1,780 lumens |
| | | | | | | | Blank | No emergency driver |
| | | | | | | | | |

¹ Contact factory for other sensors.

² OS = passive infrared technology – features include on/off only.

³ See emergency driver compatibility list (page 2).

COMPATIBLE EMERGENCY DRIVERS*

| Emergency Driver Part Number | EM10 | | EM13 | | Runtime |
|------------------------------|-------|-----------|-------|-----------|----------|
| Model | Watts | EM Lumens | Watts | EM Lumens | |
| SLS-4FT-5L-LKFS | 10.7 | 1391 | 13.7 | 1781 | 90 MINS. |

* Suitable for ambient temperatures above 10°C (50°F).

COMPATIBLE EMERGENCY DRIVERS INTERNALLY INSTALLED ^{1 2}

| Model | Emergency Options |
|-----------------|-------------------|
| SLS-4FT-5L-LKFS | EM10 EM13 |

¹ Suitable for ambient temperatures above 10°C (50°F).

² For list of remote mountable emergency drivers, see *ACCESSORIES*.

ACCESSORIES (Order Separately)

Remote Mount Emergency Drivers*

BLEM-CP-10C = Emergency driver - EM10

BLEM-CP-13C = Emergency driver - EM13

* Suitable for ambient temperatures above 10°C (50°F).

COMPATIBLE DIMMERS & CONTROLS

| Manufacturer | Model Number | Dimming Range | Load Switching Capacity |
|--------------|--------------|---------------|-------------------------|
| Americanlite | DWS-010V-T | 10%-100% | 600W |
| Americanlite | DWS-010V-D | 10%-100% | 600W |
| Leviton | IP710-LFZ | 10%-100% | 1200W |
| Lutron | DVSTV | 10%-100% | 450W |

ELECTRICAL DATA

| Series | Measurements | Low Lumens | | | Mid Lumens | | | High Lumens | | |
|--------------|-------------------|--------------|--------------|--------------|--------------|--------------|--------------|--------------|--------------|--------------|
| | | 3500K | 4000K | 5000K | 3500K | 4000K | 5000K | 3500K | 4000K | 5000K |
| SLS-4FT-LKFS | Lumens | 3555 | 3622 | 3590 | 4206 | 4305 | 4258 | 4719 | 5025 | 4804 |
| | Watts | 25 | 25 | 25 | 30 | 30 | 30 | 34 | 33 | 35 |
| | Efficacy | 142 | 143 | 144 | 140 | 143 | 142 | 137 | 151 | 139 |
| | Input Current (A) | 120V = 0.21A | 120V = 0.21A | 120V = 0.21A | 120V = 0.25A | 120V = 0.25A | 120V = 0.25A | 120V = 0.28A | 120V = 0.28A | 120V = 0.29A |
| 240V = 0.10A | | 240V = 0.10A | 240V = 0.10A | 240V = 0.13A | 240V = 0.13A | 240V = 0.13A | 240V = 0.14A | 240V = 0.14A | 240V = 0.15A | |
| 277V = 0.09A | | 277V = 0.09A | 277V = 0.09A | 277V = 0.11A | 277V = 0.11A | 277V = 0.11A | 277V = 0.12A | 277V = 0.12A | 277V = 0.13A | |

PHOTOMETRIC DATA

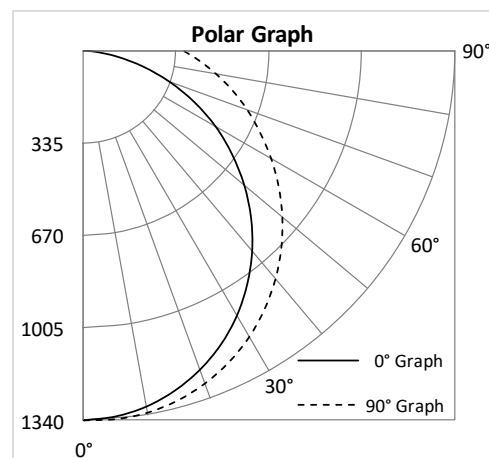
SLS-4FT-LKFS

Luminaire Data

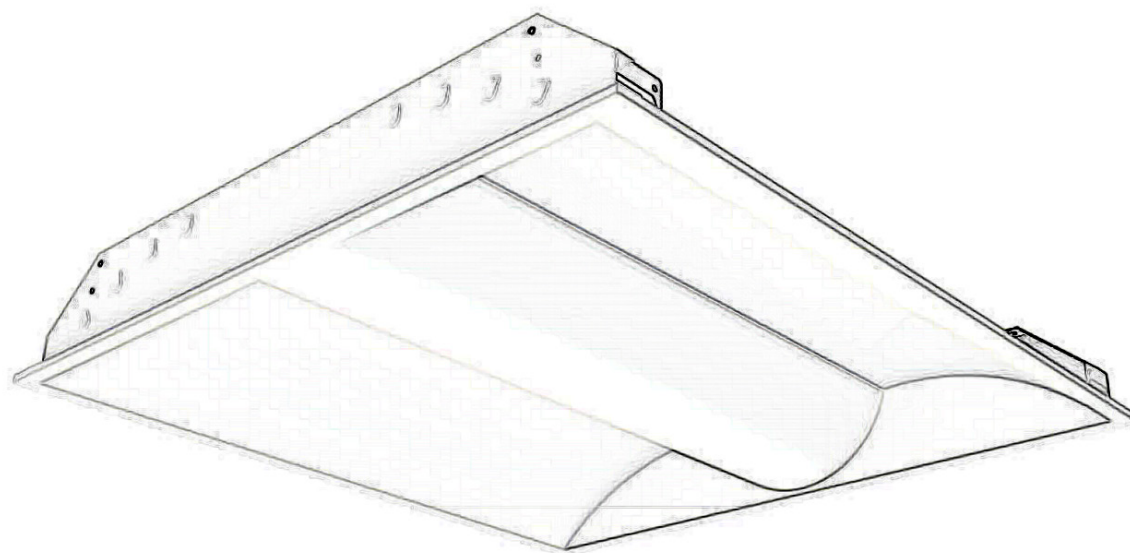
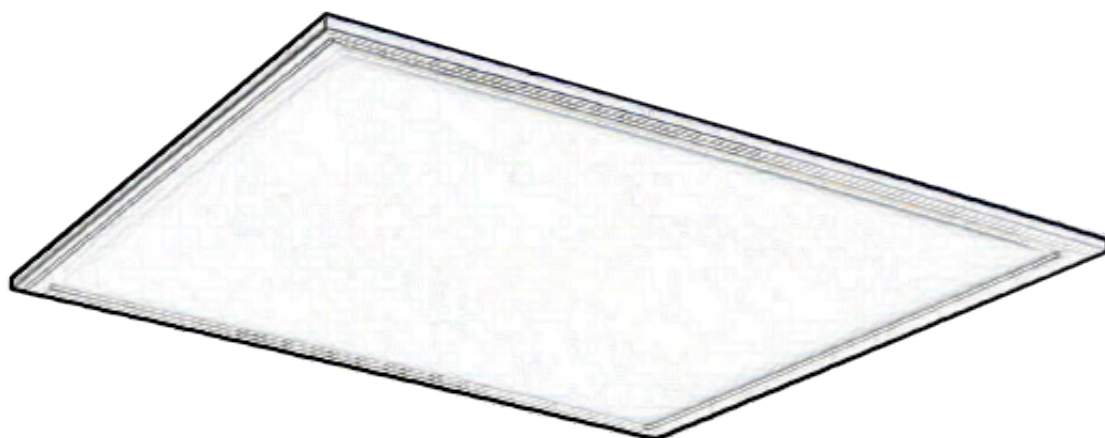
| | |
|-----------------------------|--------------------------------------|
| Description | 4' Strip Light Slim 5L- 5K - LKFS |
| Total Lumens | 4,804 |
| Input Wattage | 34 |
| Efficacy (lm/W) | 140 |
| Spacing Criterion (0-180°) | 1.24 |
| Spacing Criterion (90-270°) | 1.34 |

Zonal Lumen Summary

| Zone | Lumens | %Fixt |
|---------|--------|--------|
| 0-20° | 492 | 10.2% |
| 0-30° | 1,049 | 21.8% |
| 0-40° | 1,725 | 35.9% |
| 20-50° | 1,948 | 40.5% |
| 40-70° | 1,949 | 40.6% |
| 0-60° | 3,111 | 64.8% |
| 0-80° | 4,095 | 85.2% |
| 0-90° | 4,372 | 91.0% |
| 90-180° | 432 | 9.0% |
| 0-180° | 4,804 | 100.0% |



LED Panel and Troffer



2X4 Back-Lit LED panel 5-CCT



STANDARDS



HOUSING

- Steel frame and housing backplate.
- Premium powder coated white housing.

ELECTRICAL

- Operating temperature (ambient): -20°C to 45°C (-4°F to 113°F) .
- Universal 120-277V AC voltage (50-60Hz) is standard.
- 0-10VDC dimming drivers are standard.
- Input transient surge protection =1kV.
- Optional Emergency drivers are available.
- Type IC-rated.
- PF > 0.9 ; THD < 20%.

OPTICAL SYSTEM

- PMMA (Polymethyl methacrylate) LED lenses for optimal light distribution, efficiency and longevity.
- 5-CCT selectable 3000k (warm white), 3500k 4000k (neutral white), 5000k (cool white) and 6500k (daylight) color temperature*.
- 5 Lumen selectable, outputs range from 4,000 to 9,000 nominal lumens*.
- Long-life LEDs provide 169,000 hours of operation with at least 70% of initial lumen output (L70), and 51,000 hours with at least 90% of initial lumen output (L90)**.
- LED color maintenance < -0.0043 chromaticity shift ($\Delta u'v'$) over the initial 6,000 hours of operation.
- Color rendering index > 80.

* Default kelvin temperature 4000k and highest lumen output..

**L70 & L90 hours are IES TM-21-11 calculated hours.

MOUNTING

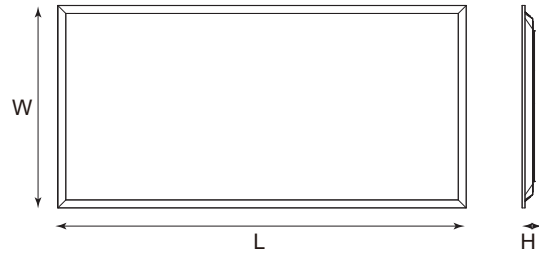
- Recessed mounting in grid ceilings is standard.
- Standard earthquake clips provide secure installation in grid ceilings.
- Optional Surface Mounting Kits (SMKT-24) and Flange Mounting Kits (FLANGEKIT24-ET) provide for installation on plaster or other hard ceilings.
- Optional Cable Mounting Kits (PNL-CMK) provide additional security, as well as suspended mounting.

CODE COMPLIANCE

- cULus listed for damp locations and insulated ceilings. Not exceeding 45°C (113°F).
- DLC premium listed.
- Complies with FCC part 15, class B.

WARRANTY

- 5 year warranty on all electronics and housing.



| Model # | L (in) | W (in) | H (in) | Weight (lbs) |
|---------------------------|--------|--------|--------|--------------|
| PNL2X4-98654L-5CCT-PRM | 47.7 | 23.7 | 1.42 | 6.6 |
| PNL2X4-98654L-5CCT-PRM-EM | 47.7 | 23.7 | 1.42 | 7.85 |

ORDERING INFORMATION

Example: PNL2X4-98654L-5CCT-PRM

| Series | Nominal Lumen Output (Selectable) | | Kelvin Selectable | Emergency Driver |
|--------|-----------------------------------|--------------------------------------|--|---------------------|
| PNL2X4 | 98654L | 9,000/ 8,000/ 6,000/ 5,000/ 4,000 lm | 5CCT-PRM 3000K/ 3500K/ 4000K/ 5000K/ 6500K | EM Emergency Driver |

ACCESSORIES (ORDER SEPARATELY)

Mounting Options

- SMKT-24 = Surface Mount Kit for 2X4 Back-lit Panel.
- FLANGEKIT24-ET = Recessed Flange Mount Kit for 2X4 Back-lit Panel.
- PNL-CM = Cable Mount Kit for Back-lit Panel.
- PNL-JBEXT = Junction Box Extender for 2X2 Back-lit Panel.

LUMEN TABLES

| Series | Measurements | 30W | | | | | 40W | | | | | 50W | | | | |
|------------------------------|--------------|--------|--------|--------|--------|--------|--------|--------|--------|--------|--------|--------|--------|--------|--------|--------|
| | | 3000K | 3500K | 4000K | 5000K | 6500K | 3000K | 3500K | 4000K | 5000K | 6500K | 3000K | 3500K | 4000K | 5000K | 6500K |
| PNL2X4-98654L-5CCT-PRM (-EM) | Lumens | 4,035 | 4,068 | 4,091 | 4,051 | 3,995 | 5,316 | 5,509 | 5,520 | 5,453 | 5,348 | 6,438 | 6,650 | 6,709 | 6,624 | 6,465 |
| | Watts | 28.5 | 27.9 | 27.7 | 28 | 28.2 | 38.4 | 38.8 | 37.9 | 38.6 | 38.8 | 48.4 | 47.9 | 47 | 48.4 | 48.8 |
| | Efficacy | 141.58 | 145.81 | 147.69 | 144.68 | 141.67 | 138.44 | 141.98 | 145.65 | 141.27 | 137.84 | 133.02 | 138.83 | 142.74 | 136.86 | 132.48 |

| Series | Measurements | 60W | | | | | 72W | | | | |
|------------------------------|--------------|--------|--------|--------|--------|--------|--------|--------|--------|--------|--------|
| | | 3000K | 3500K | 4000K | 5000K | 6500K | 3000K | 3500K | 4000K | 5000K | 6500K |
| PNL2X4-98654L-5CCT-PRM (-EM) | Lumens | 7,512 | 7,813 | 7,908 | 7,783 | 7,555 | 8,630 | 9,016 | 9,127 | 8,948 | 8,736 |
| | Watts | 58.4 | 57.7 | 56.9 | 58.6 | 59.2 | 70.1 | 68.4 | 67.4 | 69.5 | 71 |
| | Efficacy | 128.63 | 135.41 | 138.98 | 132.82 | 127.62 | 123.11 | 131.81 | 135.42 | 128.75 | 123.04 |

ELECTRICAL DATA

| Series | CCT | Input Amps (A) | | | | | | | | | | | | | | |
|------------------------------|-------|----------------|------|------|------|------|------|------|------|------|------|------|------|------|------|------|
| | | 30W | | | 40W | | | 50W | | | 60W | | | 72W | | |
| | | 120V | 240V | 277V | 120V | 240V | 277V | 120V | 240V | 277V | 120V | 240V | 277V | 120V | 240V | 277V |
| PNL2X4-98654L-5CCT-PRM (-EM) | 3000K | 0.24 | 0.12 | 0.10 | 0.32 | 0.16 | 0.14 | 0.40 | 0.20 | 0.17 | 0.49 | 0.24 | 0.21 | 0.58 | 0.29 | 0.25 |
| | 3500K | 0.23 | 0.12 | 0.10 | 0.32 | 0.16 | 0.14 | 0.40 | 0.20 | 0.17 | 0.48 | 0.24 | 0.21 | 0.57 | 0.29 | 0.25 |
| | 4000K | 0.23 | 0.12 | 0.10 | 0.32 | 0.16 | 0.14 | 0.39 | 0.20 | 0.17 | 0.47 | 0.24 | 0.21 | 0.56 | 0.28 | 0.24 |
| | 5000K | 0.23 | 0.12 | 0.10 | 0.32 | 0.16 | 0.14 | 0.40 | 0.20 | 0.17 | 0.49 | 0.24 | 0.21 | 0.58 | 0.29 | 0.25 |
| | 6500K | 0.24 | 0.12 | 0.10 | 0.32 | 0.16 | 0.14 | 0.41 | 0.20 | 0.18 | 0.49 | 0.25 | 0.21 | 0.59 | 0.30 | 0.26 |

PHOTOMETRICS

PNL2X4-98654L-5CCT-PRM (-EM)

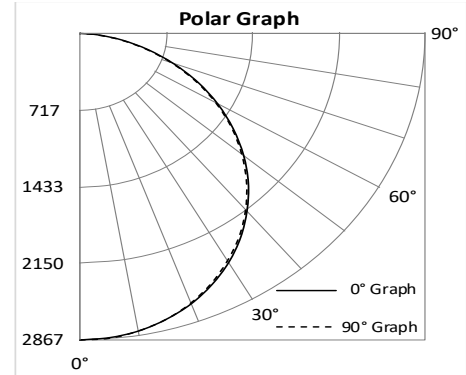
Luminaire Data

| | |
|-----------------------------|---|
| Description | High Lumen 2X4 Panel Lumen and Kelvin Select |
| Total Lumens | 8,440 |
| Input Wattage | 68 |
| Efficacy (lm/W) | 123 |
| Spacing Criterion (0-180°) | 1.28 |
| Spacing Criterion (90-270°) | 1.28 |

*Photometrics calculated
@3000k - highest lumen
setting*

Zonal Lumen Summary

| Zone | Lumens | %Fixt |
|---------|--------|--------|
| 0-20° | 1,052 | 12.5% |
| 0-30° | 2,243 | 26.6% |
| 0-40° | 3,692 | 43.7% |
| 20-50° | 4,157 | 49.3% |
| 40-70° | 3,961 | 46.9% |
| 0-60° | 6,592 | 78.1% |
| 0-80° | 8,267 | 98.0% |
| 0-90° | 8,433 | 99.9% |
| 90-180° | 7 | 0.1% |
| 0-180° | 8,440 | 100.0% |

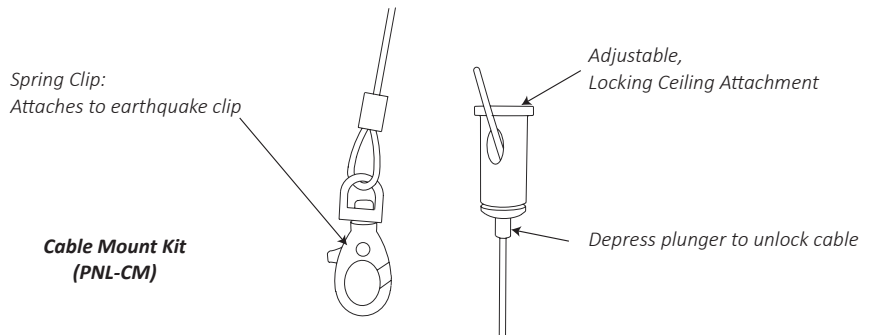
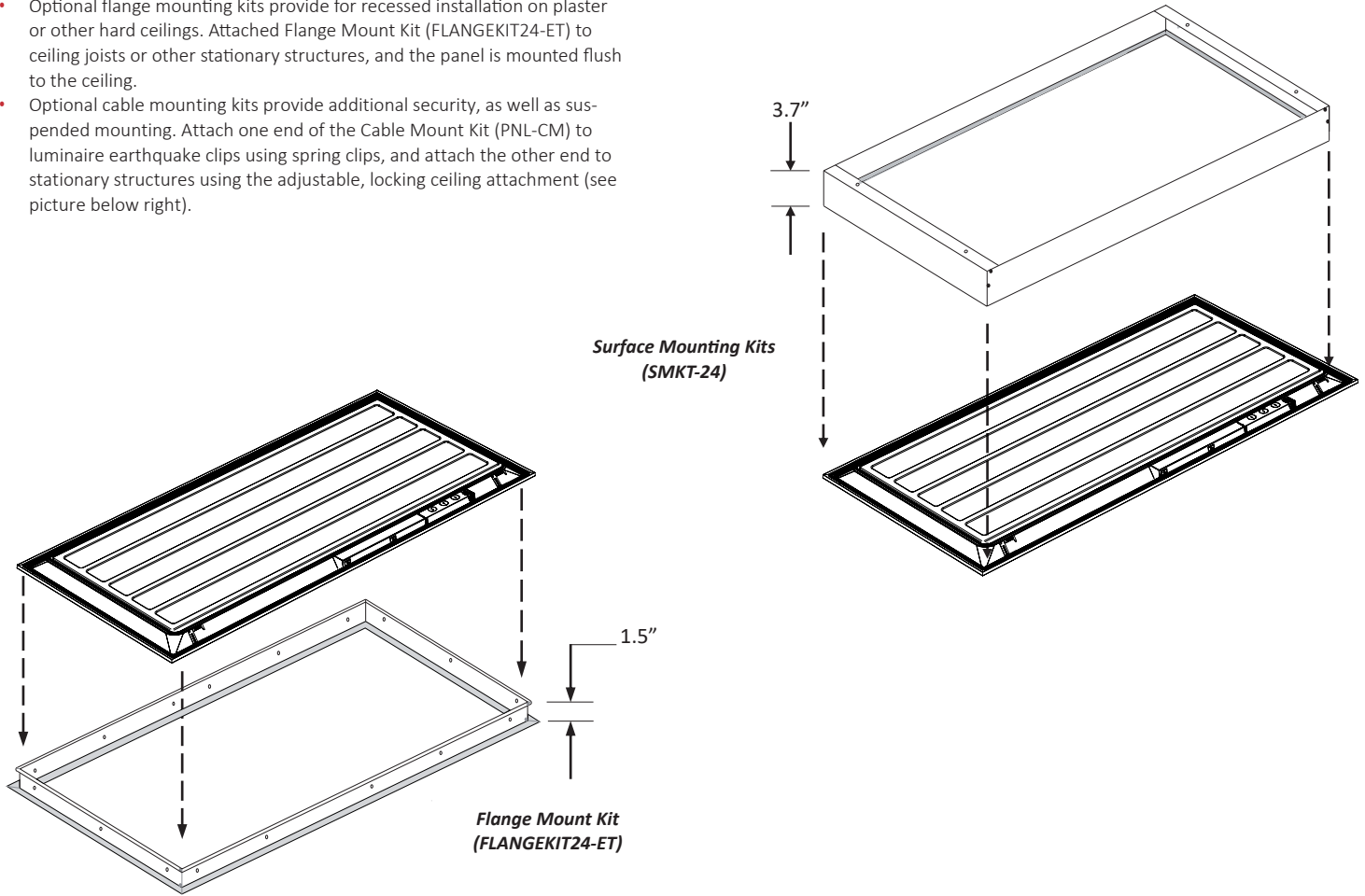


COMPATIBLE DIMMERS AND CONTROLS

| Manufacturer | Model Number | Dimmer Range | Load Switching Capacity |
|--------------|--------------|--------------|-------------------------|
| Americanlite | DWS-010V-T | 10%-100% | 600W |
| Americanlite | DWS-010V-D | 10%-100% | 600W |
| Leviton | IP710-LFZ | 10%-100% | 1200W |
| Lutron | DVSTV | 10%-100% | 450W |

MOUNTING MEANS - ORDER SEPARATELY

- Optional Surface Mounting Kit (SMKT-24) mounts below the ceilings.
- Optional flange mounting kits provide for recessed installation on plaster or other hard ceilings. Attached Flange Mount Kit (FLANGEKIT24-ET) to ceiling joists or other stationary structures, and the panel is mounted flush to the ceiling.
- Optional cable mounting kits provide additional security, as well as suspended mounting. Attach one end of the Cable Mount Kit (PNL-CM) to luminaire earthquake clips using spring clips, and attach the other end to stationary structures using the adjustable, locking ceiling attachment (see picture below right).



1X4 Back-Lit LED Panel - LKFS

STANDARD



FEATURES

- Field selectable 3500k (warm/neutral white), 4000k (neutral white), & 5000k (cool white) color temperatures.*
- Long-life LEDs provide 144,000 hours of operation with at least 70% of initial lumen output (L₇₀), and 44,000 hours with at least 90% of initial lumen output (L₉₀).**
- Selectable lumen outputs range from 2,600 to 4,000 nominal lumens.*
- Uniform illumination with no visible LED pixilation.
- Universal 120-277 AC voltage (50-60Hz) is standard.
- 0-10vdc dimming drivers are standard.
- Power factor > 90.
- Total harmonic distortion < 20%.
- Color rendering index > 80.
- Aluminum frame and steel housing backplate.
- PMMA (polymethyl methacrylate) LED lenses for optimal light distribution, efficiency and longevity.
- Easy installation in new construction or retrofit.
- Standard earthquake clips provide secure installation in grid ceilings.
- Optional emergency drivers (remote mounted) are available.
- Standard mounting options include recessed mounting in grid ceilings, or suspended mounting using attached hanging brackets. For mounting in plaster or other hard ceiling, see Mounting Kits.

* Contact factory for other color temperatures and lumen packages.

**L₇₀ hours are IES TM-21-11 calculated hours.



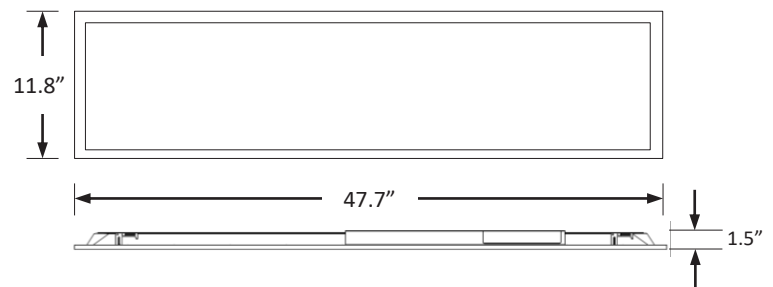
WARRANTY & LISTINGS

- cULus for damp locations and insulated ceilings (Type IC-rated). Suitable for ambient temperatures from -20°C to 40°C (-4°F to 104°F).
- DLC approved.
- Flicker-free per IEEE1789-2015 (no observable adverse effects of flicker at 100% light output level).
- Complies with FCC Part 15, class B.
- Surge immunity protection = 1kV.
- 5-year warranty of all electronics and housing.

MOUNTING KITS

- Optional Surface Mount Kits (SMKT-14) and Flange Mounting Kits (FLANGEKIT14-ET) provide for installation on plaster or other hard ceilings.
- Optional Cable Mounting Kits (PNL-CMK) provide additional security, as well as suspended mounting.

DIMENSIONS



Weight: 6 lbs.

ORDERING INFORMATION

Example: PNL1X4-40L-LKFS

| Series | Maximum Lumens | Lumen Output/ Color Temperature | | Accessories | | |
|--------|----------------|------------------------------------|----------------|-------------|-----------|-----------------------------|
| | | Selectable Lumens | Selectable CCT | | | |
| PNL1X4 | 40L | LKFS* | 2,600 lm | 3500K | DWS-010-T | 0-10v dimmer, toggle switch |
| | | | 3,400 lm | 4000K | DWS-010-D | 0-10v dimmer, decora switch |
| | | | 4,000 lm | 5000K | IP710-DLZ | 0-10v dimmer, button switch |
| | | *Field selectable | | | | |

ELECTRICAL DATA

| Series | Measurements | Low Lumens | | | Mid Lumens | | | High Lumens | | |
|--------------|-------------------|--------------|--------------|--------------|--------------|--------------|--------------|--------------|--------------|--------------|
| | | 3500K | 4000K | 5000K | 3500K | 4000K | 5000K | 3500K | 4000K | 5000K |
| PNL1X4-LKFS | Lumens | 2584 | 2729 | 2656 | 3425 | 3713 | 3531 | 4085 | 4342 | 4218 |
| | Watts | 20 | 19 | 20 | 28 | 27 | 28 | 35 | 33 | 34 |
| | Efficacy | 127 | 140 | 132 | 122 | 137 | 127 | 117 | 131 | 123 |
| | Input Current (A) | 120V = 0.17A | 120V = 0.16A | 120V = 0.17A | 120V = 0.23A | 120V = 0.23A | 120V = 0.23A | 120V = 0.29A | 120V = 0.28A | 120V = 0.28A |
| 240V = 0.08A | | 240V = 0.08A | 240V = 0.08A | 240V = 0.12A | 240V = 0.11A | 240V = 0.12A | 240V = 0.15A | 240V = 0.14A | 240V = 0.14A | |
| 277V = 0.07A | | 277V = 0.07A | 277V = 0.07A | 277V = 0.10A | 277V = 0.10A | 277V = 0.10A | 277V = 0.13A | 277V = 0.12A | 277V = 0.12A | |

PHOTOMETRIC DATA

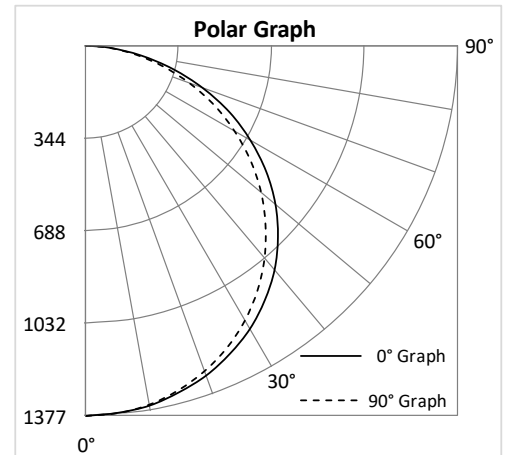
PNL1X4-40L-LKFS

Luminaire Data

| | |
|--------------------------------|-------------------------------------|
| Description | Back Lit Panel 1X4 40L 5K - LKFS |
| Total Lumens | 4,218 |
| Input Wattage | 34 |
| Efficacy (lm/W) | 123 |
| Spacing Criterion (0-180°) | 1.32 |
| Spacing Criterion (90-270°) | 1.28 |

Zonal Lumen Summary

| Zone | Lumens | %Fixt |
|---------|--------|--------|
| 0-20° | 506 | 12.0% |
| 0-30° | 1,085 | 25.7% |
| 0-40° | 1,796 | 42.6% |
| 20-50° | 2,044 | 48.4% |
| 40-70° | 1,995 | 47.3% |
| 0-60° | 3,246 | 77.0% |
| 0-80° | 4,117 | 97.6% |
| 0-90° | 4,213 | 99.9% |
| 90-180° | 5 | 0.1% |
| 0-180° | 4,218 | 100.0% |



COMPATIBLE EMERGENCY DRIVERS*

| Emergency Driver Part Number | EM5 | | EM10 | | EM13 | | Runtime |
|------------------------------|-------|-----------|-------|-----------|-------|-----------|----------|
| Model | Watts | EM Lumens | Watts | EM Lumens | Watts | EM Lumens | |
| PNL1X4-40L-LKFS | 5 | 650 | 10 | 1300 | 13 | 1690 | 90 MINS. |

* Remote mount only.

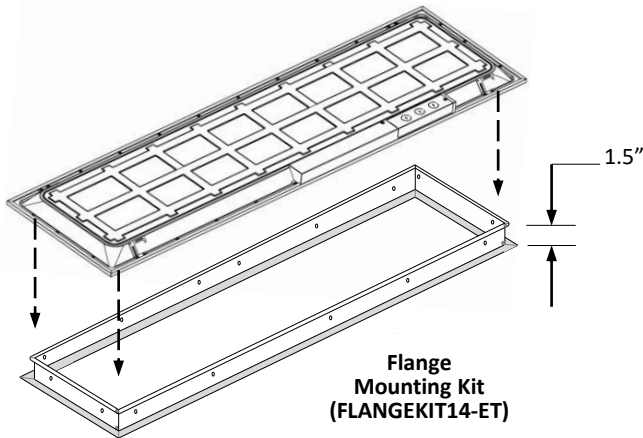
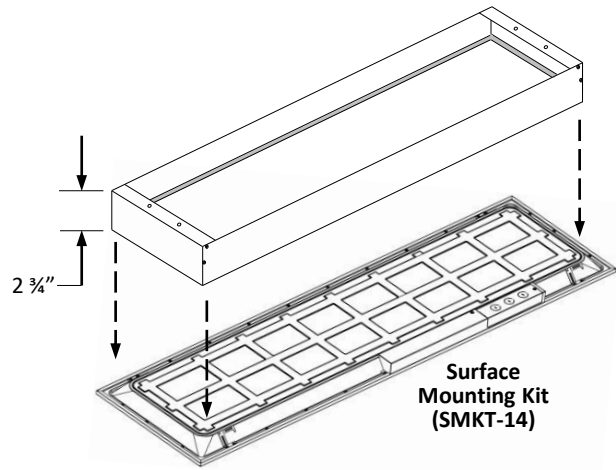
* Suitable for ambient temperatures above 0°C (32°F).

COMPATIBLE DIMMERS & CONTROLS

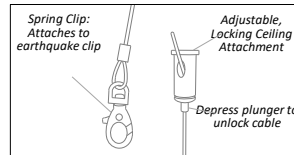
| Manufacture | Model Number | Dimming Range | Load Switching Capacity |
|--------------|--------------|---------------|-------------------------|
| Americanlite | DWS-010V-T | 10%-100% | 600W |
| Americanlite | DWS-010V-D | 10%-100% | 600W |
| Leviton | IP710-LFZ | 10%-100% | 1200W |
| Lutron | DVSTV | 10%-100% | 450W |

MOUNTING MEANS – ORDER SEPARATELY

- Optional surface mounting kits (SMKT-14) mounts below the ceiling.
- Optional flange mounting kits provide for recessed installation on plaster or other hard ceilings. Attach Flange Mount Kit (FLANGEKIT14-ET) to ceiling joists or other stationary structures, and the panel is mounted flush to the ceiling.
- Optional cable mounting kits provide additional security, as well as suspended mounting. Attach one end of the Cable Mount Kit (PNL-CMK) to luminaire earthquake clips using spring clips, and attach the other end to stationary structures using the adjustable, locking ceiling attachment (see picture below right).



Cable Mounting Kit (PNL-CMK)



Cable Mount Kit:

- Spring Clip
- Adjustable, locking ceiling attachment

2X2 Back-Lit LED Panel - LKFS

STANDARD



FEATURES

- Field selectable 3500k (warm/neutral white), 4000k (neutral white), & 5000k (cool white) color temperatures.*
- Long-life LEDs provide 144,000 hours of operation with at least 70% of initial lumen output (L₇₀), and 44,000 hours with at least 90% of initial lumen output (L₉₀).**
- Selectable lumen outputs range from 2,700 to 4,000 nominal lumens.*
- Uniform illumination with no visible LED pixilation.
- Universal 120-277 AC voltage (50-60Hz) is standard.
- 0-10vdc dimming drivers are standard.
- Power factor > 90.
- Total harmonic distortion < 20%.
- Color rendering index > 80.
- Aluminum frame and steel housing backplate.
- PMMA (polymethyl methacrylate) LED lenses for optimal light distribution, efficiency and longevity.
- Easy installation in new construction or retrofit.
- Standard earthquake clips provide secure installation in grid ceilings.
- Optional emergency drivers are available.
- Standard mounting options include recessed mounting in grid ceilings, or suspended mounting using attached hanging brackets. For mounting in plaster or other hard ceiling, see Mounting Kits.

* Contact factory for other color temperatures and lumen packages.

**L₇₀ hours are IES TM-21-11 calculated hours.



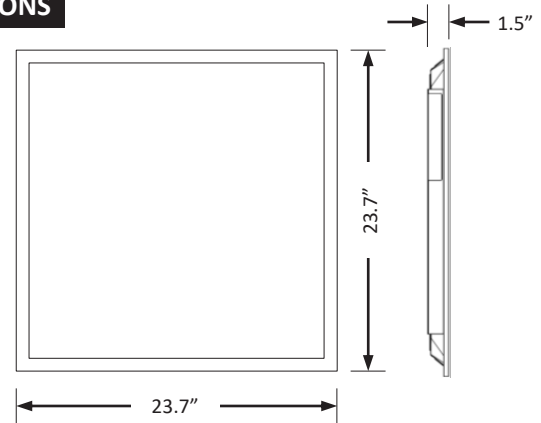
WARRANTY & LISTINGS

- cULus for damp locations and insulated ceilings (Type IC-rated). Suitable for ambient temperatures from -20°C to 40°C (-4°F to 104°F).
- DLC premium approved.
- Flicker-free per IEEE1789-2015 (no observable adverse effects of flicker at 100% light output level).
- Complies with FCC Part 15, class B.
- Surge immunity protection = 1kV.
- 5-year warranty of all electronics and housing.

MOUNTING KITS

- Optional Surface Mount Kits (SMKT-22) and Flange Mounting Kits (FLANGEKIT22-ET) provide for installation on plaster or other hard ceilings.
- Optional Cable Mounting Kits (PNL-CMK) provide additional security, as well as suspended mounting.

DIMENSIONS



Weight: 4 lbs.

ORDERING INFORMATION

Example: PNL2X2-40L-LKFS-PRM

| Series | Maximum Lumens | Lumen Output/Color Temperature | | DLC | | Emergency Driver ¹ | | Accessories | | |
|--------|----------------|--------------------------------|----------------|-------|---------|-------------------------------|------------|---------------------|-----------------------------|-----------------------------|
| | | Selectable Lumens | Selectable CCT | PRM | PREMIUM | EM5 | 650 lumens | DWS-010-T | 0-10v dimmer, toggle switch | |
| PNL2X2 | 40L | LKFS* | 2,700 lm | 3500K | PRM | PREMIUM | EM10 | 1,300 lumens | DWS-010-D | 0-10v dimmer, decora switch |
| | | | 3,600 lm | 4000K | | | EM13 | 1,690 lumens | | 0-10v dimmer, button switch |
| | | | 4,000 lm | 5000K | | | Blank | No emergency driver | | IP710-DLZ |

¹ See list of emergency drivers (page 3).

ELECTRICAL DATA

| Series | Measurements | Low Lumens | | | Mid Lumens | | | High Lumens | | |
|--------------|-------------------|--------------|--------------|--------------|--------------|--------------|--------------|--------------|--------------|--------------|
| | | 3500K | 4000K | 5000K | 3500K | 4000K | 5000K | 3500K | 4000K | 5000K |
| PNL2X2-LKFS | Lumens | 2733 | 2802 | 2810 | 3632 | 3810 | 3743 | 4072 | 4290 | 4179 |
| | Watts | 20 | 19 | 20 | 28 | 27 | 28 | 32 | 32 | 32 |
| | Efficacy | 136 | 145 | 141 | 131 | 142 | 136 | 126 | 135 | 130 |
| | Input Current (A) | 120V = 0.17A | 120V = 0.16A | 120V = 0.17A | 120V = 0.23A | 120V = 0.23A | 120V = 0.23A | 120V = 0.27A | 120V = 0.27A | 120V = 0.27A |
| 240V = 0.08A | | 240V = 0.08A | 240V = 0.08A | 240V = 0.12A | 240V = 0.11A | 240V = 0.12A | 240V = 0.13A | 240V = 0.13A | 240V = 0.13A | |
| 277V = 0.07A | | 277V = 0.07A | 277V = 0.07A | 277V = 0.10A | 277V = 0.10A | 277V = 0.10A | 277V = 0.12A | 277V = 0.12A | 277V = 0.12A | |

PHOTOMETRIC DATA

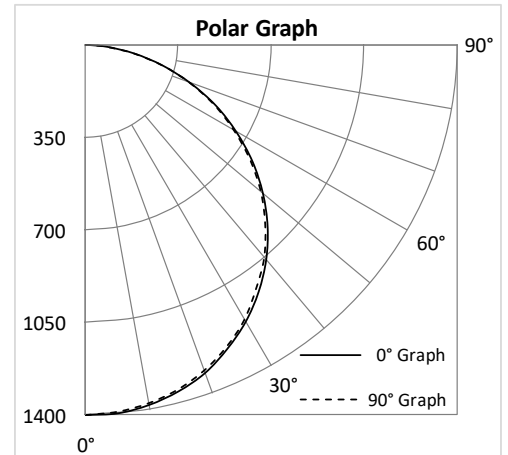
PNL2X2-40L-LKFS-PRM

Luminaire Data

| | |
|-----------------------------|---|
| Description | Premium Back Lit Panel 2X2 40L 5K - LKFS |
| Total Lumens | 4,179 |
| Input Wattage | 32 |
| Efficacy (lm/W) | 130 |
| Spacing Criterion (0-180°) | 1.3 |
| Spacing Criterion (90-270°) | 1.28 |

Zonal Lumen Summary

| Zone | Lumens | %Fixt |
|---------|--------|--------|
| 0-20° | 514 | 12.3% |
| 0-30° | 1,098 | 26.3% |
| 0-40° | 1,810 | 43.3% |
| 20-50° | 2,043 | 48.9% |
| 40-70° | 1,962 | 46.9% |
| 0-60° | 3,240 | 77.5% |
| 0-80° | 4,087 | 97.8% |
| 0-90° | 4,175 | 99.9% |
| 90-180° | 4 | 0.1% |
| 0-180° | 4,179 | 100.0% |



COMPATIBLE EMERGENCY DRIVERS*

| Emergency Driver Part Number | EM5 | | EM10 | | EM13 | | Runtime |
|------------------------------|-------|-----------|-------|-----------|-------|-----------|----------|
| Model | Watts | EM Lumens | Watts | EM Lumens | Watts | EM Lumens | |
| PNL2X2-40L-LKFS-PRM | 5 | 650 | 10 | 1300 | 13 | 1690 | 90 MINS. |

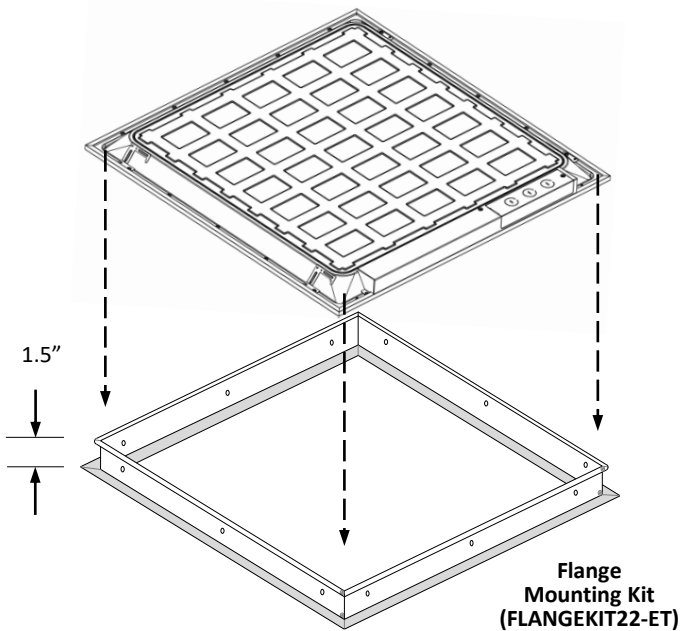
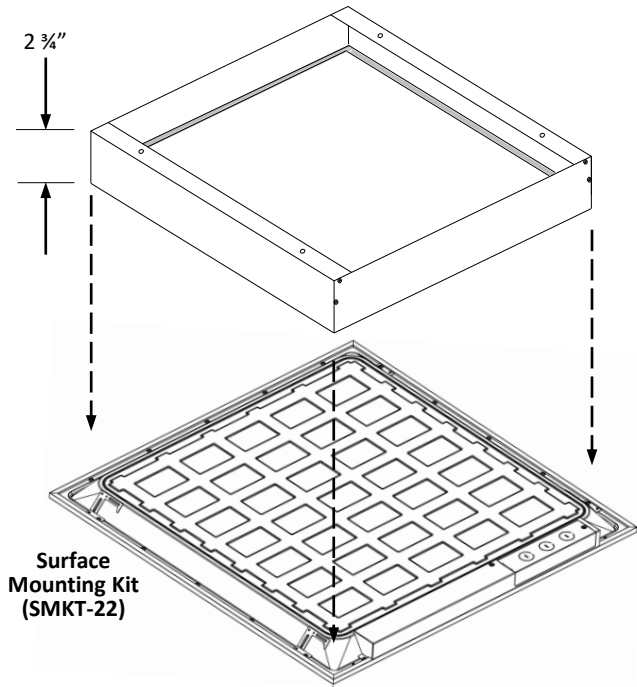
* Suitable for ambient temperatures above 0°C (32°F).

COMPATIBLE DIMMERS & CONTROLS

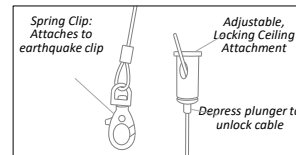
| Manufacturer | Model Number | Dimming Range | Load Switching Capacity |
|--------------|--------------|---------------|-------------------------|
| Americanlite | DWS-010V-T | 10%-100% | 600W |
| Americanlite | DWS-010V-D | 10%-100% | 600W |
| Leviton | IP710-LFZ | 10%-100% | 1200W |
| Lutron | DVSTV | 10%-100% | 450W |

MOUNTING MEANS – ORDER SEPARATELY

- Optional surface mounting kits (SMKT-22) mounts below the ceiling.
- Optional flange mounting kits provide for recessed installation on plaster or other hard ceilings. Attach Flange Mount Kit (FLANGEKIT22-ET) to ceiling joists or other stationary structures, and the panel is mounted flush to the ceiling.
- Optional cable mounting kits provide additional security, as well as suspended mounting. Attach one end of the Cable Mount Kit (PNL-CMK) to luminaire earthquake clips using spring clips, and attach the other end to stationary structures using the adjustable, locking ceiling attachment (see picture below right).



Cable Mounting Kit (PNL-CMK)



Cable Mount Kit:

- Spring Clip
- Adjustable, locking ceiling attachment

2X4 Back-Lit LED Panel - LKFS

STANDARD



FEATURES

- Field selectable 3500k (warm/neutral white), 4000k (neutral white), & 5000k (cool white) color temperatures.*
- Long-life LEDs provide 144,000 hours of operation with at least 70% of initial lumen output (L₇₀), and 44,000 hours with at least 90% of initial lumen output (L₉₀).**
- Selectable lumen outputs range from 3,300 to 5,000 nominal lumens.*
- Uniform illumination with no visible LED pixilation.
- Universal 120-277 AC voltage (50-60Hz) is standard.
- 0-10vdc dimming drivers are standard.
- Power factor > 90.
- Total harmonic distortion < 20%.
- Color rendering index > 80.
- Aluminum frame and steel housing backplate.
- PMMA (polymethyl methacrylate) LED lenses for optimal light distribution, efficiency and longevity.
- Easy installation in new construction or retrofit.
- Standard earthquake clips provide secure installation in grid ceilings.
- Optional emergency drivers are available.
- Standard mounting options include recessed mounting in grid ceilings, or suspended mounting using attached hanging brackets. For mounting in plaster or other hard ceiling, see Mounting Kits.

* Contact factory for other color temperatures and lumen packages.

**L₇₀ hours are IES TM-21-11 calculated hours.



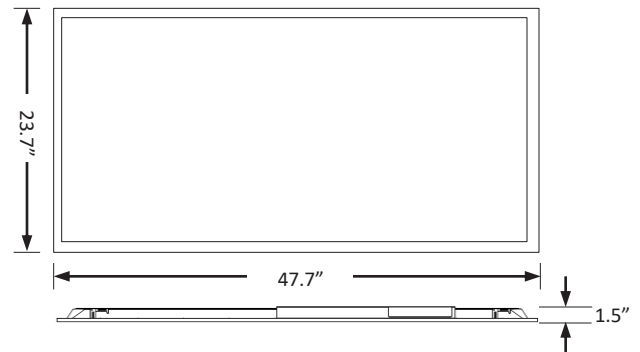
WARRANTY & LISTINGS

- cULus for damp locations and insulated ceilings (Type IC-rated). Suitable for ambient temperatures from -20°C to 40°C (-4°F to 104°F).
- DLC premium approved.
- Flicker-free per IEEE1789-2015 (no observable adverse effects of flicker at 100% light output level).
- Complies with FCC Part 15, class B.
- Surge immunity protection = 1kV.
- 5-year warranty of all electronics and housing.

MOUNTING KITS

- Optional Surface Mount Kits (SMKT-24) and Flange Mounting Kits (FLANGEKIT24-ET) provide for installation on plaster or other hard ceilings.
- Optional Cable Mounting Kits (PNL-CMK) provide additional security, as well as suspended mounting.

DIMENSIONS



Weight: 9 lbs.

ORDERING INFORMATION

Example: PNL2X4-50L-LKFS-PRM

| Series | Maximum Lumens | Lumen Output/ Color Temperature | | DLC | | Emergency Driver ¹ | | |
|--------|----------------|------------------------------------|----------------|-------|---------|-------------------------------|-------|---------------------|
| | | Selectable Lumens | Selectable CCT | PRM | PREMIUM | EM5 | EM10 | EM13 |
| PNL2X4 | 50L | LKFS* | 3,300 lm | 3500K | PRM | PREMIUM | EM5 | 650 lumens |
| | | | 4,500 lm | 4000K | | | EM10 | 1,300 lumens |
| | | | 5,000 lm | 5000K | | | EM13 | 1,690 lumens |
| | | | | | | | Blank | No emergency driver |

*Field selectable

¹ See list of emergency drivers (page 3).

ELECTRICAL DATA

| Series | Measurements | Low Lumens | | | Mid Lumens | | | High Lumens | | |
|--------------|-------------------|--------------|--------------|--------------|--------------|--------------|--------------|--------------|--------------|--------------|
| | | 3500K | 4000K | 5000K | 3500K | 4000K | 5000K | 3500K | 4000K | 5000K |
| PNL2X4-LKFS | Lumens | 3284 | 3323 | 3389 | 4448 | 4576 | 4538 | 5015 | 5247 | 5157 |
| | Watts | 24 | 23 | 24 | 33 | 32 | 33 | 38 | 37 | 38 |
| | Efficacy | 138 | 148 | 144 | 134 | 144 | 138 | 131 | 141 | 137 |
| | Input Current (A) | 120V = 0.20A | 120V = 0.19A | 120V = 0.20A | 120V = 0.28A | 120V = 0.27A | 120V = 0.28A | 120V = 0.32A | 120V = 0.31A | 120V = 0.32A |
| 240V = 0.10A | | 240V = 0.10A | 240V = 0.10A | 240V = 0.14A | 240V = 0.13A | 240V = 0.14A | 240V = 0.16A | 240V = 0.15A | 240V = 0.16A | |
| 277V = 0.09A | | 277V = 0.08A | 277V = 0.09A | 277V = 0.12A | 277V = 0.12A | 277V = 0.12A | 277V = 0.14A | 277V = 0.13A | 277V = 0.14A | |

PHOTOMETRIC DATA

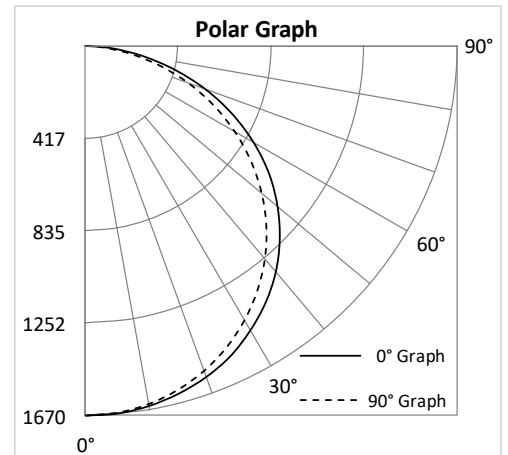
PNL2X4-50L-LKFS-PRM

Luminaire Data

| | |
|--------------------------------|---|
| Description | Premium Back Lit Panel 2X4 50L 5K - LKFS |
| Total Lumens | 5,157 |
| Input Wattage | 38 |
| Efficacy (lm/W) | 137 |
| Spacing Criterion (0-180°) | 1.34 |
| Spacing Criterion (90-270°) | 1.28 |

Zonal Lumen Summary

| Zone | Lumens | %Fixt |
|---------|--------|--------|
| 0-20° | 614 | 11.9% |
| 0-30° | 1,316 | 25.5% |
| 0-40° | 2,181 | 42.3% |
| 20-50° | 2,491 | 48.3% |
| 40-70° | 2,457 | 47.6% |
| 0-60° | 3,964 | 76.9% |
| 0-80° | 5,039 | 97.7% |
| 0-90° | 5,152 | 99.9% |
| 90-180° | 5 | 0.1% |
| 0-180° | 5,157 | 100.0% |



COMPATIBLE EMERGENCY DRIVERS*

| Emergency Driver Part Number | EM5 | | EM10 | | EM13 | | Runtime |
|------------------------------|-------|-----------|-------|-----------|-------|-----------|----------|
| Model | Watts | EM Lumens | Watts | EM Lumens | Watts | EM Lumens | |
| PNL2X4-50L-LKFS-PRM | 5 | 650 | 10 | 1300 | 13 | 1690 | 90 MINS. |

* Remote mount only.

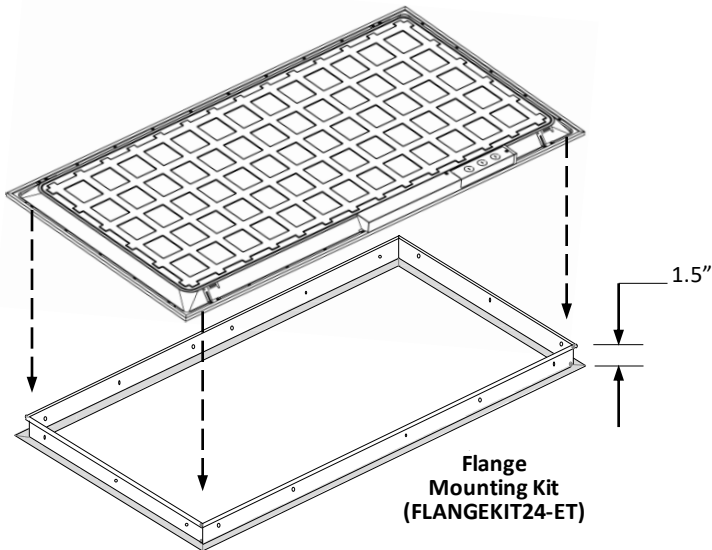
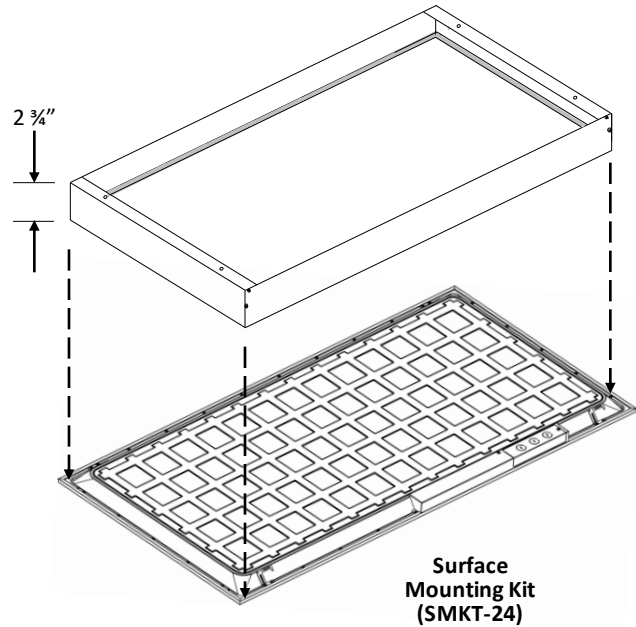
* Suitable for ambient temperatures above 0°C (32°F).

Compatible Dimmers

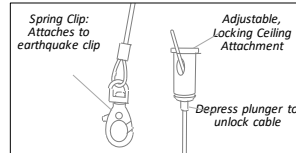
| Manufacture | Model Number | Dimming Range | Load Switching Capacity |
|--------------|--------------|---------------|-------------------------|
| Americanlite | DWS-010V-T | 10%-100% | 600W |
| Americanlite | DWS-010V-D | 10%-100% | 600W |
| Lutron | DVSTV | 10%-100% | 450W |
| Leviton | IP710-LFZ | 10%-100% | 1200W |

MOUNTING MEANS – ORDER SEPARATELY

- Optional surface mounting kits (SMKT-24) mounts below the ceiling.
- Optional flange mounting kits provide for recessed installation on plaster or other hard ceilings. Attach Flange Mount Kit (FLANGEKIT24-ET) to ceiling joists or other stationary structures, and the panel is mounted flush to the ceiling.
- Optional cable mounting kits provide additional security, as well as suspended mounting. Attach one end of the Cable Mount Kit (PNL-CMK) to luminaire earthquake clips using spring clips, and attach the other end to stationary structures using the adjustable, locking ceiling attachment (see picture below right).



Cable Mounting Kit (PNL-CMK)



Cable Mount Kit:

- Spring Clip
- Adjustable, locking ceiling attachment

Full Body Linear High Bay Sensor Ready Lumens & Kelvin Selectable

STANDARDS



HOUSING

- Premium powder-coat, die cast aluminum, white housing.

ELECTRICAL

- Operating temperature (ambient):
 - 40°C to 55°C (-40°F to 131°F) for FHBSR-181512L and FHBSR241815L.
 - 40°C to 50°C (-40°F to 122°F) for FHBSR-363024L and FHBSR604836L.
- Universal 120-277V AC voltage (50-60Hz) is standard.
- 347-480V achieved with step-down transformer.
- 0-10VDC dimming drivers are standard.
- Emergency driver option available.
- Input transient surge protection = 6kV.
- PF > 0.9 ; THD < 20%.

OPTICAL SYSTEM

- Polycarbonate prismatic lens.
- Field selectable 4000k (neutral white) and 5000k (cool white) color temperatures*.
- Tri-lumen selectable delivers 12,000 to 60,000 nominal lumens (see lumen tables on page 3)**.
- Screw in sensor ready. Sensor and remote control sold separately.
- Remote control required to change factory sensor settings (see default settings on page 2).
- Long-life LEDs provide 135,000 hours of operation with at least 70% of initial lumen output (L70), and 41,000 hours with at least 90% of initial lumen output (L90)***.
- LED color maintenance < 0.003 chromaticity shift ($\Delta u'v'$) over the initial 6,000 hours of operation.
- Color rendering index > 80%

* Default kelvin temperature = 4000k.
 ** Default power setting = highest lumen output.
 ***L70 & L90 hours are IES TM-21-11 calculated hours.



MOUNTING

- Chain-mount kits (includes v-hooks , 1-meter long chain) are standard.
- Optional surface mounting kit provides attachment to solid surfaces*.
- Optional pendant mounting kit provides pendant attachment to 1/2" rigid conduit*.
- Optional cable mount kit provides luminaire suspension.

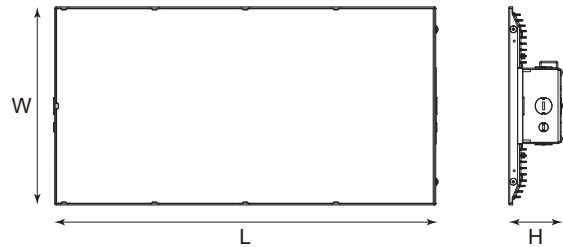
* Surface mount kit and Pendant mount kit are not compatible with the UNC StepDown Transformer option, nor the on-board, factory installed EM driver options.

CODE COMPLIANCE

- cULus listed for damp locations.
- DLC premium listed.
- Complies with FCC part 15, class A.

WARRANTY

- 5 year warranty on all electronics and housing.



| Model # | L (in) | W (in) | H (in) | Weight (lbs) |
|--------------------|--------|--------|--------|--------------|
| FHBSR-181512L-4K5K | 13.00 | 9.50 | 2.20 | 3.7 |
| FHBSR-241815L-4K5K | 14.20 | 10.25 | 2.40 | 4.5 |
| FHBSR-363024L-4K5K | 19.70 | 10.25 | 2.60 | 6.5 |
| FHBSR-604836L-4K5K | 30.70 | 11.00 | 2.60 | 9.25 |

ORDERING INFORMATION

Example: FHBSR-181512L-4K5K-EM25

| Series | Nominal Lumen Output (Selectable) | | Kelvin Selectable | Input Voltage | Emergency Driver |
|--------|-----------------------------------|--------------------------|-------------------|---------------------------------|--|
| FHBSR | 181512L | 18,000 / 15,000 / 12,000 | 4K5K | UNC* 347-480V Blank 120-277V | EM10 10W emergency driver EM13 13W emergency driver EM25 25W emergency driver Blank No emergency driver |
| | 241815L | 24,000 / 18,000 / 15,000 | | | |
| | 363024L | 36,000 / 30,000 / 24,000 | | | |
| | 604836L | 60,000 / 48,000 / 36,000 | | | |

* UNC option no compatible with EM

ACCESSORIES (ORDER SEPARATELY)

Sensor:

- HD07VR-PH-1-90 = Passive infrared sensor with 90° elbow adapter- maximum mounting height = 39FT, factory settings: detection area =100%, hold time = 5 sec, stand-by period = 0 sec, stand-by dimming level = 10%, daylight threshold = disabled
- HD07VR-MH-B-1-90 = Microwave step-dimming sensor with 90° elbow adapter - maximum mounting height = 49FT, factory settings: detection area =100%, hold time = 5 sec, stand-by period = 0 sec, stand-by dimming level = 10%, daylight threshold = disabled
- HD05R = Remote control for HD07VR-PH-1-90 & HD07VR-MH-B-1-90 (required to change factory settings)

Wire Guard:

- FHBSR-WG-181512L = WIRE GUARD FOR FHBSR-WG-181512L
- FHBSR-WG-241815L = WIRE GUARD FOR FHBSR-WG-241815L
- FHBSR-WG-363024L = WIRE GUARD FOR FHBSR-WG-363024L
- FHBSR-WG-604836L = WIRE GUARD FOR FHBSR-WG-604836L

Mounting O tion

- FHBSR-SMK = SURFACE MOUNT KIT FOR FHBSR- ALL MODELS*
- FHBSR-PMK = PENDANT MOUNT KIT FOR FHBSR- ALL MODELS*
- CMK-3 = CABLE MOUNT KIT 3 METER- ALL MODELS
- CMK-5 = CABLE MOUNT KIT 5 METER- ALL MODELS

* SMK and PMK not compatible with UNC and EM drivers.

Remote Mount EM Drivers:

- BLEM-CP-10C = EMERGENCY DRIVER - EM10
- BLEM-CP-13C = EMERGENCY DRIVER - EM13

LUMEN TABLES

| Series | Measurements | Low Lumens | | Mid Lumens | | High Lumens | |
|--------------------|--------------|------------|--------|------------|--------|-------------|--------|
| | | 4000k | 5000k | 4000k | 5000k | 4000k | 5000k |
| FHBSR-181512L-4K5K | Lumens | 12,454 | 12,245 | 15,387 | 14,987 | 18,260 | 17,662 |
| | Watt | 81.57 | 82.68 | 103.79 | 105.72 | 127.33 | 130.36 |
| | Efficacy | 153 | 148 | 148 | 142 | 143 | 135 |

| Series | Measurements | Low Lumens | | Mid Lumens | | High Lumens | |
|--------------------|--------------|------------|--------|------------|--------|-------------|--------|
| | | 4000k | 5000k | 4000k | 5000k | 4000k | 5000k |
| FHBSR-241815L-4K5K | Lumens | 15,480 | 15,446 | 18,164 | 17,944 | 23,772 | 23,381 |
| | Watt | 97.50 | 98.69 | 116.37 | 117.96 | 158.16 | 161.41 |
| | Efficacy | 159 | 157 | 156 | 152 | 150 | 145 |

| Series | Measurements | Low Lumens | | Mid Lumens | | High Lumens | |
|--------------------|--------------|------------|--------|------------|--------|-------------|--------|
| | | 4000k | 5000k | 4000k | 5000k | 4000k | 5000k |
| FHBSR-363024L-4K5K | Lumens | 24,204 | 24,004 | 29,825 | 29,339 | 35,415 | 34,727 |
| | Watt | 151.23 | 154.24 | 192.09 | 196.72 | 235.36 | 242.20 |
| | Efficacy | 160 | 156 | 155 | 149 | 150 | 143 |

| Series | Measurements | Low Lumens | | Mid Lumens | | High Lumens | |
|--------------------|--------------|------------|--------|------------|--------|-------------|--------|
| | | 4000k | 5000k | 4000k | 5000k | 4000k | 5000k |
| FHBSR-604836L-4K5K | Lumens | 36,167 | 36,380 | 47,698 | 47,582 | 59,177 | 58,715 |
| | Watt | 224.7 | 228.0 | 305.1 | 309.5 | 389.6 | 397.7 |
| | Efficacy | 161 | 160 | 156 | 154 | 152 | 148 |

ELECTRICAL DATA

| Series | CCT | Input Amps (A) | | | | | | | | |
|--------------------|-------|----------------|------|------|------------|------|------|-------------|------|------|
| | | Low Lumens | | | Mid Lumens | | | High Lumens | | |
| | | 120V | 240V | 277V | 120V | 240V | 277V | 120V | 240V | 277V |
| FHBSR-181512L-4K5K | 4000k | 0.68 | 0.34 | 0.29 | 0.86 | 0.43 | 0.37 | 1.06 | 0.53 | 0.46 |
| | 5000k | 0.69 | 0.34 | 0.30 | 0.88 | 0.44 | 0.38 | 1.09 | 0.54 | 0.47 |

| Series | CCT | Input Amps (A) | | | | | | | | |
|--------------------|-------|----------------|------|------|------------|------|------|-------------|------|------|
| | | Low Lumens | | | Mid Lumens | | | High Lumens | | |
| | | 120V | 240V | 277V | 120V | 240V | 277V | 120V | 240V | 277V |
| FHBSR-241815L-4K5K | 4000k | 0.81 | 0.41 | 0.35 | 0.97 | 0.48 | 0.42 | 1.32 | 0.66 | 0.57 |
| | 5000k | 0.82 | 0.41 | 0.36 | 0.98 | 0.49 | 0.43 | 1.35 | 0.67 | 0.58 |

| Series | CCT | Input Amps (A) | | | | | | | | |
|--------------------|-------|----------------|------|------|------------|------|------|-------------|------|------|
| | | Low Lumens | | | Mid Lumens | | | High Lumens | | |
| | | 120V | 240V | 277V | 120V | 240V | 277V | 120V | 240V | 277V |
| FHBSR-363024L-4K5K | 4000k | 1.26 | 0.63 | 0.55 | 1.60 | 0.80 | 0.69 | 1.96 | 0.98 | 0.85 |
| | 5000k | 1.29 | 0.64 | 0.56 | 1.64 | 0.82 | 0.71 | 2.02 | 1.01 | 0.87 |

| Series | CCT | Input Amps (A) | | | | | | | | |
|--------------------|-------|----------------|------|------|------------|------|------|-------------|------|------|
| | | Low Lumens | | | Mid Lumens | | | High Lumens | | |
| | | 120V | 240V | 277V | 120V | 240V | 277V | 120V | 240V | 277V |
| FHBSR-604836L-4K5K | 4000k | 1.87 | 0.94 | 0.81 | 2.54 | 1.27 | 1.10 | 3.25 | 1.62 | 1.41 |
| | 5000k | 1.90 | 0.95 | 0.82 | 2.58 | 1.29 | 1.12 | 3.31 | 1.66 | 1.44 |

PHOTOMETRICS

FHBSR-181512L-4K5K

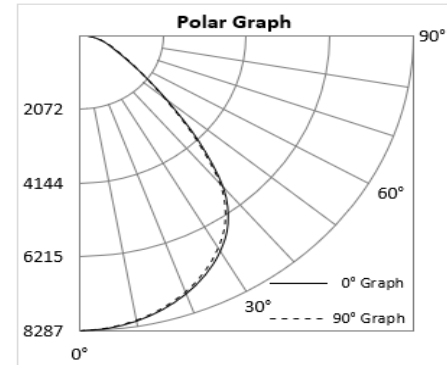
Luminaire Data

| | |
|-----------------------------|---|
| Description | Full Body High Bay Lumen/Kelvin Selectable |
| Total Lumens | 17,662 |
| Input Wattage | 130 |
| Efficacy (lm/W) | 135 |
| Spacing Criterion (0-180°) | 1.26 |
| Spacing Criterion (90-270°) | 1.24 |

Photometrics calculated at 5000k-high lumens setting

Zonal Lumen Summary

| Zone | Lumens | %Fixt |
|---------|--------|--------|
| 0-20° | 3,042 | 17.2% |
| 0-30° | 6,475 | 36.7% |
| 0-40° | 10,520 | 59.6% |
| 20-50° | 10,813 | 61.2% |
| 40-70° | 6,271 | 35.5% |
| 0-60° | 15,726 | 89.0% |
| 0-80° | 17,425 | 98.7% |
| 0-90° | 17,638 | 99.9% |
| 90-180° | 24 | 0.1% |
| 0-180° | 17,662 | 100.0% |



FHBSR-241815L-4K5K

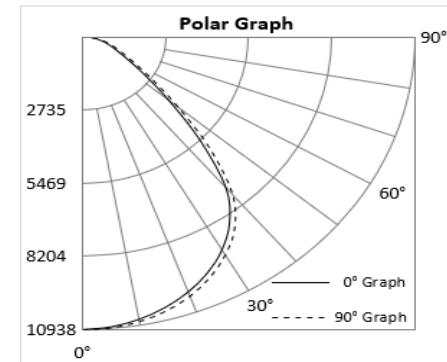
Luminaire Data

| | |
|-----------------------------|---|
| Description | Full Body High Bay Lumen/Kelvin Selectable |
| Total Lumens | 23,381 |
| Input Wattage | 161 |
| Efficacy (lm/W) | 145 |
| Spacing Criterion (0-180°) | 1.26 |
| Spacing Criterion (90-270°) | 1.28 |

Photometrics calculated at 5000k-high lumens setting

Zonal Lumen Summary

| Zone | Lumens | %Fixt |
|---------|--------|--------|
| 0-20° | 4,016 | 17.2% |
| 0-30° | 8,550 | 36.6% |
| 0-40° | 13,901 | 59.5% |
| 20-50° | 14,322 | 61.3% |
| 40-70° | 8,341 | 35.7% |
| 0-60° | 20,833 | 89.1% |
| 0-80° | 23,074 | 98.7% |
| 0-90° | 23,350 | 99.9% |
| 90-180° | 31 | 0.1% |
| 0-180° | 23,381 | 100.0% |



FHBSR-363024L-4K5K

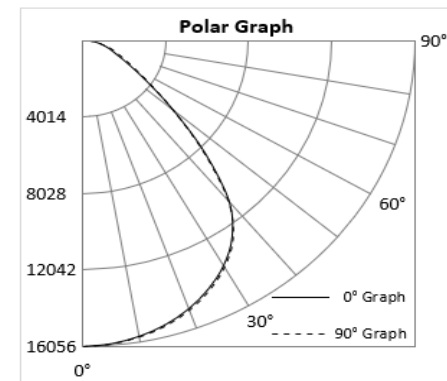
Luminaire Data

| | |
|-----------------------------|---|
| Description | Full Body High Bay Lumen/Kelvin Selectable |
| Total Lumens | 34,727 |
| Input Wattage | 242 |
| Efficacy (lm/W) | 143 |
| Spacing Criterion (0-180°) | 1.26 |
| Spacing Criterion (90-270°) | 1.28 |

Photometrics calculated at 5000k-high lumens setting

Zonal Lumen Summary

| Zone | Lumens | %Fixt |
|---------|--------|--------|
| 0-20° | 5,902 | 17.0% |
| 0-30° | 12,592 | 36.3% |
| 0-40° | 20,536 | 59.1% |
| 20-50° | 21,267 | 61.2% |
| 40-70° | 12,472 | 35.9% |
| 0-60° | 30,906 | 89.0% |
| 0-80° | 34,256 | 98.6% |
| 0-90° | 34,682 | 99.9% |
| 90-180° | 45 | 0.1% |
| 0-180° | 34,727 | 100.0% |



FHBSR-604836L-4K5K

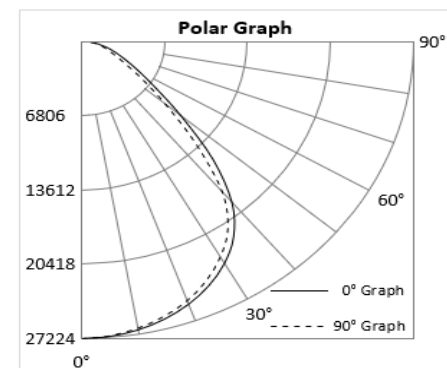
Luminaire Data

| | |
|-----------------------------|---|
| Description | Full Body High Bay Lumen/Kelvin Selectable |
| Total Lumens | 58,715 |
| Input Wattage | 398 |
| Efficacy (lm/W) | 148 |
| Spacing Criterion (0-180°) | 1.28 |
| Spacing Criterion (90-270°) | 1.26 |

Photometrics calculated at 5000k-high lumens setting

Zonal Lumen Summary

| Zone | Lumens | %Fixt |
|---------|--------|--------|
| 0-20° | 9,998 | 17.0% |
| 0-30° | 21,317 | 36.3% |
| 0-40° | 34,727 | 59.1% |
| 20-50° | 35,995 | 61.3% |
| 40-70° | 21,199 | 36.1% |
| 0-60° | 52,364 | 89.2% |
| 0-80° | 58,000 | 98.8% |
| 0-90° | 58,644 | 99.9% |
| 90-180° | 71 | 0.1% |
| 0-180° | 58,715 | 100.0% |



COMPATIBLE EMERGENCY DRIVERS-INSTALLED

| Emergency Driver Part Number | EM10 | | EM13 | | EM25 | |
|------------------------------|-------|-----------|-------|-----------|-------|-----------|
| | Watts | EM Lumens | Watts | EM Lumens | Watts | EM Lumens |
| FHBSR-181512L-4K5K | 10 | 1400 | 13 | 1820 | 25 | 3500 |
| FHBSR-241815L-4K5K | 10 | 1500 | 13 | 1950 | 25 | 3750 |
| FHBSR-363024L-4K5K | 10 | 1400 | 13 | 1820 | 25 | 3500 |
| FHBSR-604836L-4K5K | 10 | 1500 | 13 | 1950 | 25 | 3750 |

COMPATIBLE DIMMERS AND CONTROLS

| Model Number | Dimmer Range | Load Switching Capacity |
|--------------|--------------|-------------------------|
| DWS-010V-T | 10%-100% | 600W |
| DWS-010V-D | 10%-100% | 600W |
| IP710-LFZ | 10%-100% | 1200W |
| DVSTV | 10%-100% | 450W |

PLUGS AND CORDS

| Part number suffix | Description | For use with |
|--------------------|--|--------------------------|
| 6C3 | 6' cord - 3 conductor (black/white/green) | Standard & UNC |
| 6C4 | 6' cord - 4 conductor (black/white/green/red) | EM driver |
| 6C5 | 6' cord - 5 conductor (black/white/green/purple/pink) | Dimming (standard & UNC) |
| 6C6 | 6' cord - 6 conductor (black/white/green/red/purple/pink) | Dimming & EM driver |
| 10C3 | 10' cord - 3 conductor (black/white/green) | Standard & UNC |
| 10C4 | 10' cord - 4 conductor (black/white/green/red) | EM driver |
| 10C5 | 10' cord - 5 conductor (black/white/green/purple/pink) | Dimming (standard & UNC) |
| 10C6 | 10' cord - 6 conductor (black/white/green/red/purple/pink) | Dimming & EM driver |
| 15C3 | 15' cord - 3 conductor (black/white/green) | Standard & UNC |
| 15C4 | 15' cord - 4 conductor (black/white/green/red) | EM driver |
| 15C5 | 15' cord - 5 conductor (black/white/green/purple/pink) | Dimming (standard & UNC) |
| 15C6 | 15' cord - 6 conductor (black/white/green/red/purple/pink) | Dimming & EM driver |
| 6W3 | 6' whip - 3 conductor (black/white/green) | Standard & UNC |
| 6W4 | 6' whip - 4 conductor (black/white/green/red) | EM driver |
| 6W5 | 6' whip - 5 conductor (black/white/green/purple/pink) | Dimming (standard & UNC) |
| 6W6 | 6' whip - 6 conductor (black/white/green/red/purple/pink) | Dimming & EM driver |

PLUGS AND CORDS

| Part number suffix | Description | For use with |
|--------------------|--|--------------------|
| 6P515 | 6' cord - 3 conductor (black/white/green) - NEMA 5-15 plug (120V/15A) | Standard luminaire |
| 6P615 | 6' cord - 3 conductor (black/white/green) - NEMA 6-15 plug (240V/15A) | Standard luminaire |
| 6P715 | 6' cord - 3 conductor (black/white/green) - NEMA 7-15 plug (277V/15A) | Standard luminaire |
| 6P520 | 6' cord - 3 conductor (black/white/green) - NEMA 5-20 plug (120V/20A) | Standard luminaire |
| 6P620 | 6' cord - 3 conductor (black/white/green) - NEMA 6-20 plug (277V/20A) | Standard luminaire |
| 6P515L | 6' cord - 3 conductor (black/white/green) - NEMA L5-15 plug (120V/15A locking) | Standard luminaire |
| 6P615L | 6' cord - 3 conductor (black/white/green) - NEMA L6-15 plug (240V/15A locking) | Standard luminaire |
| 6P715L | 6' cord - 3 conductor (black/white/green) - NEMA L7-15 plug (277V/15A locking) | Standard luminaire |
| 6P520L | 6' cord - 3 conductor (black/white/green) - NEMA L5-20 plug (120V/20A locking) | Standard luminaire |
| 6P620L | 6' cord - 3 conductor (black/white/green) - NEMA L6-20 plug (240V/20A locking) | Standard luminaire |
| 6P720L | 6' cord - 3 conductor (black/white/green) - NEMA L7-20 plug (277V/20A locking) | Standard luminaire |
| 6P2420L | 6' cord - 3 conductor (black/white/green) - NEMA L24-20 plug (347V/20A locking) | UNC luminaire |
| 6P820L | 6' cord - 3 conductor (black/white/green) - NEMA L8-20 plug (480V/20A locking) | UNC luminaire |
| 10P515 | 10' cord - 3 conductor (black/white/green) - NEMA 5-15 plug (120V/15A) | Standard luminaire |
| 10P615 | 10' cord - 3 conductor (black/white/green) - NEMA 6-15 plug (240V/15A) | Standard luminaire |
| 10P715 | 10' cord - 3 conductor (black/white/green) - NEMA 7-15 plug (277V/15A) | Standard luminaire |
| 10P520 | 10' cord - 3 conductor (black/white/green) - NEMA 5-20 plug (120V/20A) | Standard luminaire |
| 10P620 | 10' cord - 3 conductor (black/white/green) - NEMA 6-20 plug (277V/20A) | Standard luminaire |
| 10P515L | 10' cord - 3 conductor (black/white/green) - NEMA L5-15 plug (120V/15A locking) | Standard luminaire |
| 10P615L | 10' cord - 3 conductor (black/white/green) - NEMA L6-15 plug (240V/15A locking) | Standard luminaire |
| 10P715L | 10' cord - 3 conductor (black/white/green) - NEMA L7-15 plug (277V/15A locking) | Standard luminaire |
| 10P520L | 10' cord - 3 conductor (black/white/green) - NEMA L5-20 plug (120V/20A locking) | Standard luminaire |
| 10P620L | 10' cord - 3 conductor (black/white/green) - NEMA L6-20 plug (240V/20A locking) | Standard luminaire |
| 10P720L | 10' cord - 3 conductor (black/white/green) - NEMA L7-20 plug (277V/20A locking) | Standard luminaire |
| 10P2420L | 10' cord - 3 conductor (black/white/green) - NEMA L24-20 plug (347V/20A locking) | UNC luminaire |
| 10P820L | 10' cord - 3 conductor (black/white/green) - NEMA L8-20 plug (480V/20A locking) | UNC luminaire |
| 15P515 | 15' cord - 3 conductor (black/white/green) - NEMA 5-15 plug (120V/15A) | Standard luminaire |
| 15P615 | 15' cord - 3 conductor (black/white/green) - NEMA 6-15 plug (240V/15A) | Standard luminaire |
| 15P715 | 15' cord - 3 conductor (black/white/green) - NEMA 7-15 plug (277V/15A) | Standard luminaire |
| 15P520 | 15' cord - 3 conductor (black/white/green) - NEMA 5-20 plug (120V/20A) | Standard luminaire |
| 15P620 | 15' cord - 3 conductor (black/white/green) - NEMA 6-20 plug (277V/20A) | Standard luminaire |
| 15P515L | 15' cord - 3 conductor (black/white/green) - NEMA L5-15 plug (120V/15A locking) | Standard luminaire |
| 15P615L | 15' cord - 3 conductor (black/white/green) - NEMA L6-15 plug (240V/15A locking) | Standard luminaire |
| 15P715L | 15' cord - 3 conductor (black/white/green) - NEMA L7-15 plug (277V/15A locking) | Standard luminaire |
| 15P520L | 15' cord - 3 conductor (black/white/green) - NEMA L5-20 plug (120V/20A locking) | Standard luminaire |
| 15P620L | 15' cord - 3 conductor (black/white/green) - NEMA L6-20 plug (240V/20A locking) | Standard luminaire |
| 15P720L | 15' cord - 3 conductor (black/white/green) - NEMA L7-20 plug (277V/20A locking) | Standard luminaire |
| 15P2420L | 15' cord - 3 conductor (black/white/green) - NEMA L24-20 plug (347V/20A locking) | UNC luminaire |
| 15P820L | 15' cord - 3 conductor (black/white/green) - NEMA L8-20 plug (480V/20A locking) | UNC luminaire |

Lumen and Kelvin Field Selectable Center Basket

STANDARD



FEATURES

- Field selectable 3500k (warm/neutral white), 4000k (neutral white) & 5000k (cool white) color temperatures.*
- Long-life LEDs provide at least 196,000 hours of operation with at least 70% of initial lumen output (L_{70}).**
- Provides a range of 3,000 to 4,300 nominal lumens.*
- Uniform illumination with no visible LED pixilation.
- Universal 120-277 AC voltage (50-60Hz) is standard.
- 0-10vdc, continuous dimming capability is standard.
- Power factor > 0.90.
- Total harmonic distortion < 20%.
- Color rendering index (R_a) > 80.
- Steel housing and PMMA lens.
- Easy installation in new construction or retrofit. Fits in standard 2' x 2' grid ceilings.
- Built-in earthquake clips provide secure installation in grid ceilings.
- Standard mounting options include recessed mounting in grid ceilings, or suspended mounting using earthquake clips. For other mounting options, see Mounting Means (page 4).

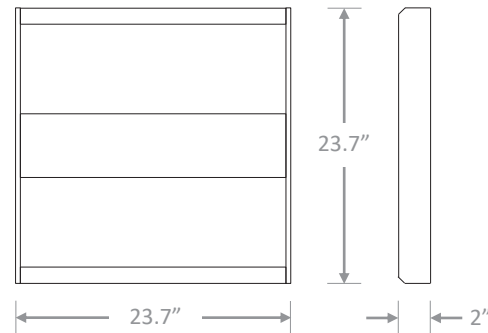
* Contact factory for other color temperatures and lumen packages.
 ** L70 hours are IES TM-21-11 calculated hours.



WARRANTY & LISTINGS

- cULus listed for damp locations and insulated ceilings in ambient temperatures from -25°C to 50°C (-13°F to 122°F).
- UL listed for maximum of 4, 12 AWG through branch circuit conductor.
- Inherently protected.
- Type IC rated for insulated ceilings.
- DLC approved.
- Low risk of flicker (per IEEE1789-2015) at 100% light output level.
- Complies with FCC Part 15, class A.
- Complies with IEEE C.62.41-2002, input transient surge protection (2.5kV).
- 5-year warranty of all electronics and housing.

DIMENSIONS



Weight: 7 lbs.

ORDERING INFORMATION

Example: CB22-4L-LKFS-EM13

| Series | Nominal Lumen Output | Select | Externally Installed Emergency Drivers ¹ | Accessories | | |
|--------|----------------------------|--------|---|---------------------|-----------|-----------------------------|
| CB22 | 4L 4,000 nominal lumens | LKFS | EM5 | 755 lumens | DWS-010-T | 0-10v dimmer, toggle switch |
| | | | EM10 | 1,617 lumens | DWS-010-D | 0-10v dimmer, decora switch |
| | | | EM13 | 1,940 lumens | | 0-10v dimmer, button switch |
| | | | Blank | No emergency driver | IP710-DLZ | 0-10v dimmer, button switch |

¹ See emergency driver compatibility list (page 2).

COMPATIBLE EMERGENCY DRIVERS*

| Emergency Driver Part Number | EM5 | | EM10 | | EM13 | |
|------------------------------|-------|-----------|-------|-----------|-------|-----------|
| Model | Watts | EM Lumens | Watts | EM Lumens | Watts | EM Lumens |
| CB22-4L-LKFS | 5.0 | 755 | 10.7 | 1617 | 13.7 | 1940 |

* Suitable for ambient temperatures above 10°C (50°F).

ACCESSORIES (Order Separately)

Remote Mount Emergency Drivers*

- BLEM-CP-5C = Emergency driver - EM5
- BLEM-CP-10C = Emergency driver - EM10
- BLEM-CP-13C = Emergency driver - EM13

* Suitable for ambient temperatures above 10°C (50°F).

COMPATIBLE DIMMERS & CONTROLS

| Manufacturer | Model Number | Dimming Range | Load Switching Capacity |
|--------------|--------------|---------------|-------------------------|
| Americanlite | DWS-010V-T | 10%-100% | 600W |
| Americanlite | DWS-010V-D | 10%-100% | 600W |
| Leviton | IP710-LFZ | 10%-100% | 1200W |
| Lutron | DVSTV | 10%-100% | 450W |

ELECTRICAL DATA

| Series | Measurements | Low Lumens | | | Mid Lumens | | | High Lumens | | |
|--------------|-------------------|--------------|--------------|--------------|--------------|--------------|--------------|--------------|--------------|--------------|
| | | 3500K | 4000K | 5000K | 3500K | 4000K | 5000K | 3500K | 4000K | 5000K |
| CB22-4L-LKFS | Lumens | 3073 | 3176 | 3120 | 3640 | 3772 | 3649 | 4220 | 4370 | 4196 |
| | Watts | 22 | 22 | 22 | 27 | 27 | 27 | 32 | 31 | 32 |
| | Efficacy | 137 | 144 | 139 | 134 | 142 | 134 | 131 | 140 | 131 |
| | Input Current (A) | 120V = 0.18A | 120V = 0.18A | 120V = 0.18A | 120V = 0.23A | 120V = 0.23A | 120V = 0.23A | 120V = 0.27A | 120V = 0.26A | 120V = 0.27A |
| 240V = 0.09A | | 240V = 0.09A | 240V = 0.09A | 240V = 0.11A | 240V = 0.11A | 240V = 0.11A | 240V = 0.13A | 240V = 0.13A | 240V = 0.13A | |
| 277V = 0.08A | | 277V = 0.08A | 277V = 0.08A | 277V = 0.10A | 277V = 0.10A | 277V = 0.10A | 277V = 0.12A | 277V = 0.11A | 277V = 0.12A | |

PHOTOMETRIC DATA

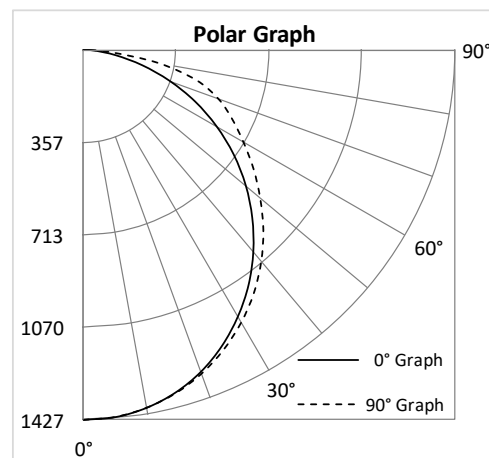
CB22-4L-LKFS

Luminaire Data

| | |
|--------------------------------|-----------------------------------|
| Description | Center Basket 2X2 4L 5K - LKFS |
| Total Lumens | 4,205 |
| Input Wattage | 32 |
| Efficacy (lm/W) | 131 |
| Spacing Criterion (0-180°) | 1.24 |
| Spacing Criterion (90-270°) | 1.28 |

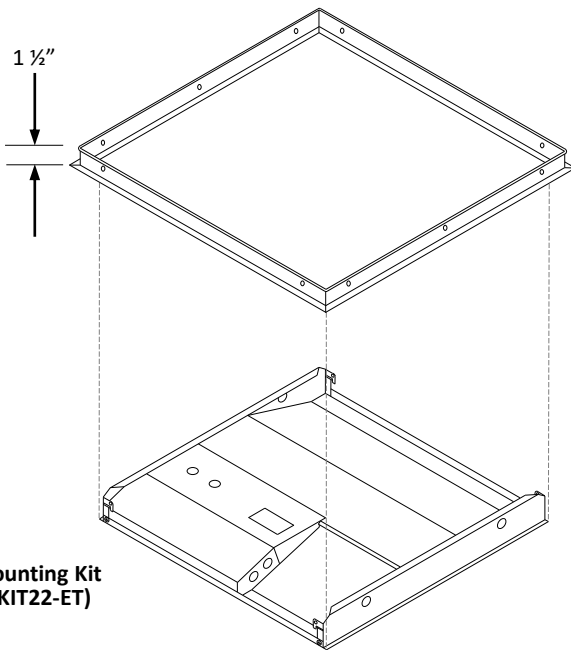
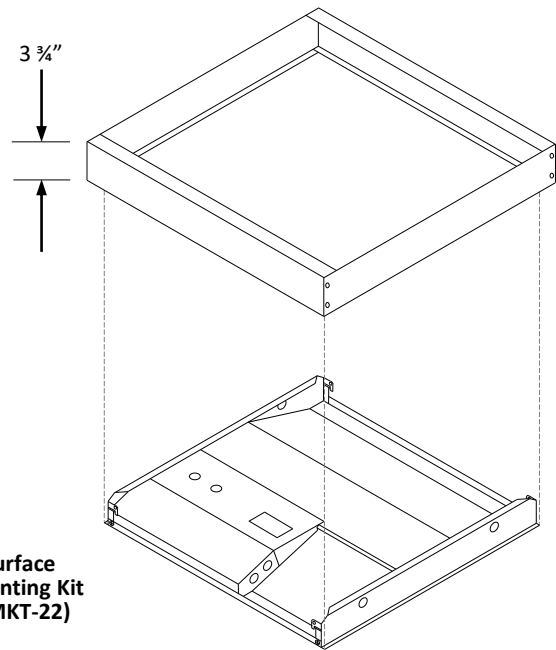
Zonal Lumen Summary

| Zone | Lumens | %Fixt |
|---------|--------|--------|
| 0-20° | 521 | 12.4% |
| 0-30° | 1,104 | 26.3% |
| 0-40° | 1,807 | 43.0% |
| 20-50° | 2,017 | 48.0% |
| 40-70° | 1,936 | 46.0% |
| 0-60° | 3,206 | 76.2% |
| 0-80° | 4,102 | 97.5% |
| 0-90° | 4,202 | 99.9% |
| 90-180° | 3 | 0.1% |
| 0-180° | 4,205 | 100.0% |

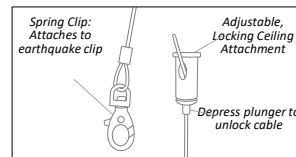


MOUNTING MEANS – ORDER SEPARATELY

- *Optional surface mounting kits (SMKT-22) mounts below the ceiling.*
- *Optional flange mounting kits provide for recessed installation on plaster or other hard ceilings. Attach Flange Mount Kit (FLANGEKIT22-ET) to ceiling joists or other stationary structures, and the panel is mounted flush to the ceiling.*
- *Optional cable mounting kits provide additional security, as well as suspended mounting. Attach one end of the Cable Mount Kit (PNL-CM) to luminaire earthquake clips using spring clips, and attach the other end to stationary structures using the adjustable, locking ceiling attachment (see picture below right).*



Cable Mounting Kit (PNL-CM)



Cable Mount Kit:

- Spring Clip
- Adjustable, locking ceiling attachment

Lumen and Kelvin Field Selectable Center Basket

STANDARD



FEATURES

- Field selectable 3500k (warm/neutral white), 4000k (neutral white) & 5000k (cool white) color temperatures.*
- Long-life LEDs provide at least 196,000 hours of operation with at least 70% of initial lumen output (L_{70}).**
- Provides a range of 4,500 to 5,800 nominal lumens.*
- Uniform illumination with no visible LED pixilation.
- Universal 120-277 AC voltage (50-60Hz) is standard.
- 0-10vdc, continuous dimming capability is standard.
- Power factor > 0.90.
- Total harmonic distortion < 20%.
- Color rendering index (R_a) > 80.
- Steel housing and PMMA lens.
- Easy installation in new construction or retrofit. Fits in standard 2' x 4' grid ceilings.
- Built-in earthquake clips provide secure installation in grid ceilings.
- Standard mounting options include recessed mounting in grid ceilings, or suspended mounting using earthquake clips. For other mounting options, see Mounting Means (page 4).

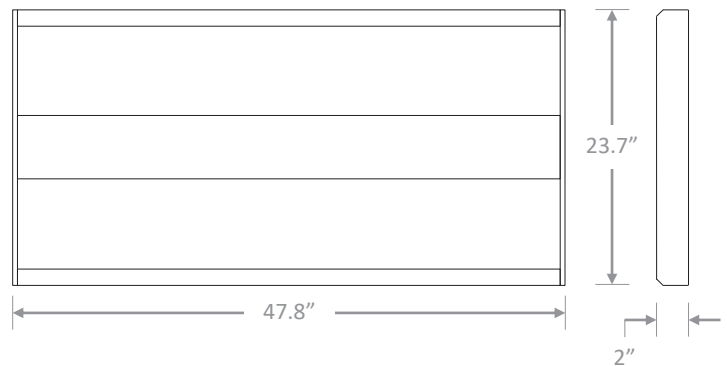
* Contact factory for other color temperatures and lumen packages.
 ** L70 hours are IES TM-21-11 calculated hours.



WARRANTY & LISTINGS

- cULus listed for damp locations and insulated ceilings in ambient temperatures from -25°C to 50°C (-13°F to 122°F).
- UL listed for maximum of 4, 12 AWG through branch circuit conductor.
- Inherently protected.
- Type IC rated for insulated ceilings.
- DLC approved.
- Low risk of flicker (per IEEE1789-2015) at 100% light output level.
- Complies with FCC Part 15, class A.
- Complies with IEEE C.62.41-2002, input transient surge protection (2.5kV).
- 5-year warranty of all electronics and housing.

DIMENSIONS



Weight: 11 lbs.

ORDERING INFORMATION

Example: CB24-6L-LKFS-EM13

| Series | Nominal Lumen Output | Select | Externally Installed Emergency Drivers ¹ | Accessories |
|--------|---------------------------|--------|---|---|
| CB24 | 6L 6,000 nominal lumens | LKFS | EM5 755 lumens | DWS-010-T 0-10v dimmer, toggle switch |
| | | | EM10 1,617 lumens | DWS-010-D 0-10v dimmer, decora switch |
| | | | EM13 1,940 lumens | IP710-DLZ 0-10v dimmer, button switch |
| | | | Blank No emergency driver | |

¹ See emergency driver compatibility list (page 2).

COMPATIBLE EMERGENCY DRIVERS*

| Emergency Driver Part Number | EM5 | | EM10 | | EM13 | |
|------------------------------|-------|-----------|-------|-----------|-------|-----------|
| Model | Watts | EM Lumens | Watts | EM Lumens | Watts | EM Lumens |
| CB24-6L-LKFS | 5.0 | 755 | 10.7 | 1617 | 13.7 | 1940 |

* Suitable for ambient temperatures above 10°C (50°F).

ACCESSORIES (Order Separately)

Remote Mount Emergency Drivers*

- BLEM-CP-5C = Emergency driver - EM5
- BLEM-CP-10C = Emergency driver - EM10
- BLEM-CP-13C = Emergency driver - EM13

* Suitable for ambient temperatures above 10°C (50°F).

COMPATIBLE DIMMERS & CONTROLS

| Manufacturer | Model Number | Dimming Range | Load Switching Capacity |
|--------------|--------------|---------------|-------------------------|
| Americanlite | DWS-010V-T | 10%-100% | 600W |
| Americanlite | DWS-010V-D | 10%-100% | 600W |
| Leviton | IP710-LFZ | 10%-100% | 1200W |
| Lutron | DVSTV | 10%-100% | 450W |

ELECTRICAL DATA

| Series | Measurements | Low Lumens | | | Mid Lumens | | | High Lumens | | |
|--------------|-------------------|--------------|--------------|--------------|--------------|--------------|--------------|--------------|--------------|--------------|
| | | 3500K | 4000K | 5000K | 3500K | 4000K | 5000K | 3500K | 4000K | 5000K |
| CB24-6L-LKFS | Lumens | 4466 | 4566 | 4460 | 4922 | 5062 | 5002 | 5653 | 5850 | 5675 |
| | Watts | 33 | 32 | 33 | 37 | 36 | 37 | 44 | 43 | 44 |
| | Efficacy | 134 | 141 | 134 | 132 | 139 | 134 | 128 | 137 | 129 |
| | Input Current (A) | 120V = 0.28A | 120V = 0.27A | 120V = 0.28A | 120V = 0.31A | 120V = 0.30A | 120V = 0.31A | 120V = 0.37A | 120V = 0.36A | 120V = 0.37A |
| 240V = 0.14A | | 240V = 0.13A | 240V = 0.14A | 240V = 0.15A | 240V = 0.15A | 240V = 0.15A | 240V = 0.18A | 240V = 0.18A | 240V = 0.18A | |
| 277V = 0.12A | | 277V = 0.12A | 277V = 0.12A | 277V = 0.13A | 277V = 0.13A | 277V = 0.13A | 277V = 0.16A | 277V = 0.16A | 277V = 0.16A | |

PHOTOMETRIC DATA

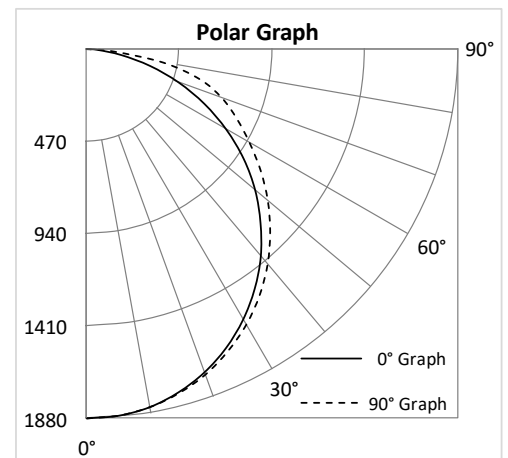
CB24-6L-LKFS

Luminaire Data

| | |
|--------------------------------|-----------------------------------|
| Description | Center Basket 2X4 6L 5K - LKFS |
| Total Lumens | 5,675 |
| Input Wattage | 44 |
| Efficacy (lm/W) | 129 |
| Spacing Criterion (0-180°) | 1.26 |
| Spacing Criterion (90-270°) | 1.28 |

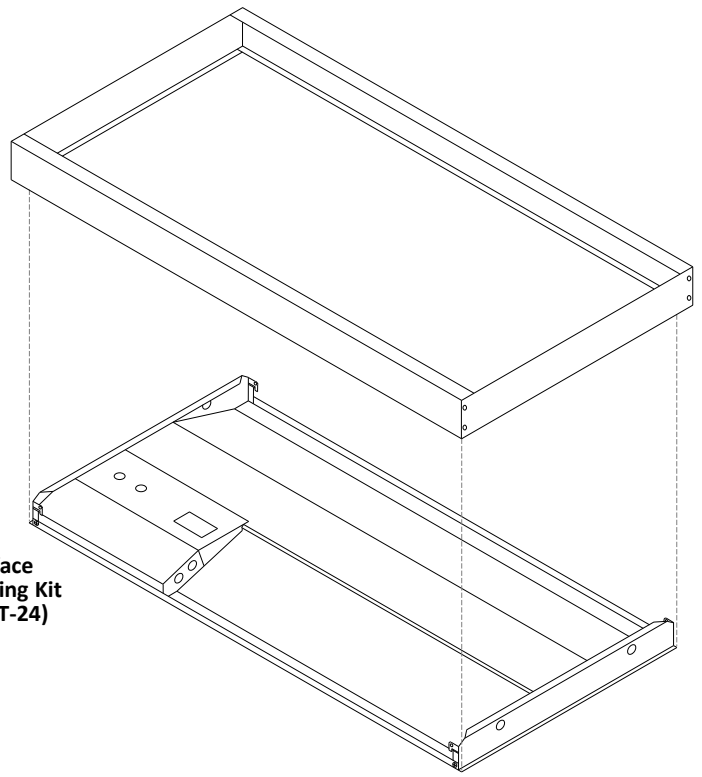
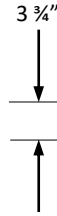
Zonal Lumen Summary

| Zone | Lumens | %Fixt |
|---------|--------|--------|
| 0-20° | 689 | 12.1% |
| 0-30° | 1,465 | 25.8% |
| 0-40° | 2,407 | 42.4% |
| 20-50° | 2,706 | 47.7% |
| 40-70° | 2,630 | 46.3% |
| 0-60° | 4,305 | 75.9% |
| 0-80° | 5,526 | 97.4% |
| 0-90° | 5,671 | 99.9% |
| 90-180° | 4 | 0.1% |
| 0-180° | 5,675 | 100.0% |

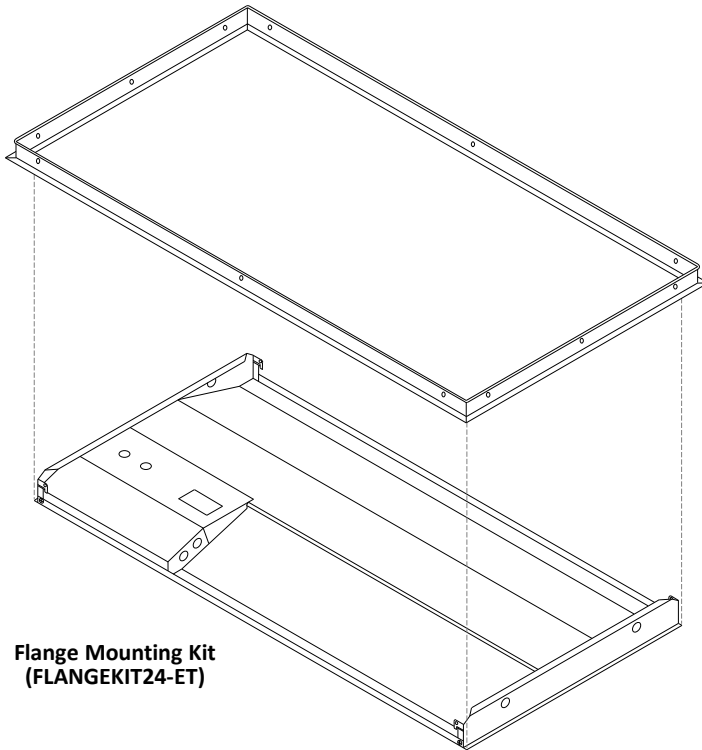
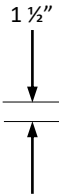


MOUNTING MEANS – ORDER SEPARATELY

- Optional surface mounting kits (SMKT-24) mounts below the ceiling.
- Optional flange mounting kits provide for recessed installation on plaster or other hard ceilings. Attach Flange Mount Kit (FLANGEKIT24-ET) to ceiling joists or other stationary structures, and the panel is mounted flush to the ceiling.
- Optional cable mounting kits provide additional security, as well as suspended mounting. Attach one end of the Cable Mount Kit (PNL-CM) to luminaire earthquake clips using spring clips, and attach the other end to stationary structures using the adjustable, locking ceiling attachment (see picture below right).

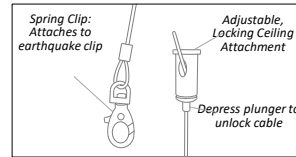


Surface Mounting Kit (SMKT-24)



Flange Mounting Kit (FLANGEKIT24-ET)

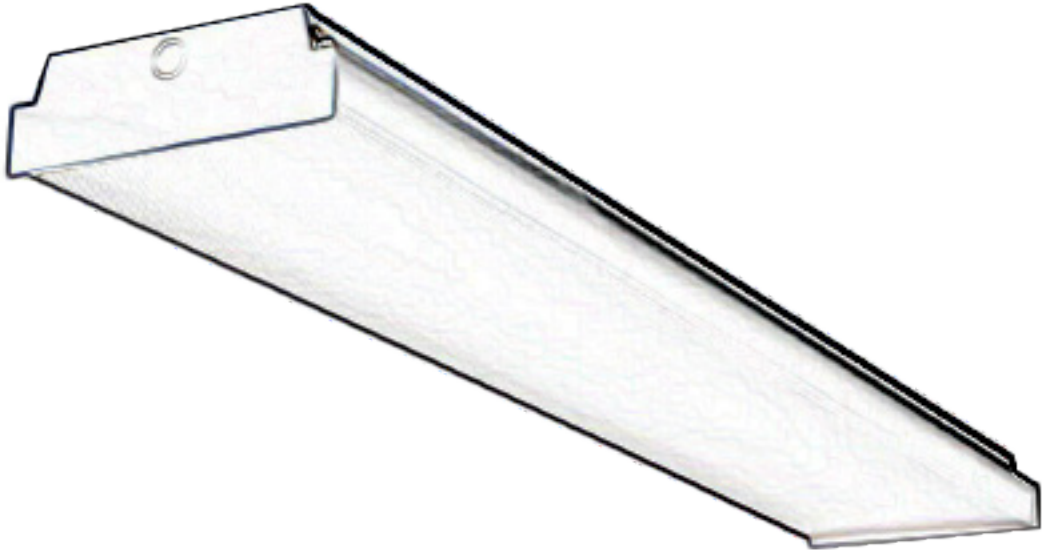
Cable Mounting Kit (PNL-CM)



Cable Mount Kit:

- Spring Clip
- Adjustable, locking ceiling attachment

Wraps



Lumen and Kelvin Field Selectable Wrap Light



STANDARD



FEATURES

- Field selectable 3500k (warm/neutral white), 4000k (neutral white), and 5000k (cool white) color temperatures.*
- Long-life LEDs provide 196,000 hours of operation with at least 70% of initial lumen output (L_{70}), and 60,000 hours with at least 90% of initial lumen output (L_{90}).**
- LED chromaticity based on ≤ 4 -step ANSI quadrangles.
- LED color maintenance ≤ 0.002 chromaticity shift ($\Delta u'v'$) over the initial 6,000 hours of operation.
- WR-5L-LKFS provides a range of 4,100 to 5,800 nominal lumens and 132 to 154 lumens per watt (LPW).*
- Universal 120-277 AC voltage (50-60Hz) is standard.
- 0-10vdc dimming drivers are standard.
- Power factor > 0.90 .
- Total harmonic distortion $< 20\%$.
- Color rendering index > 80 .
- Steel housing and PMMA lens.
- Optional emergency drivers and occupancy sensors are available.
- Easy installation in new construction or retrofit.

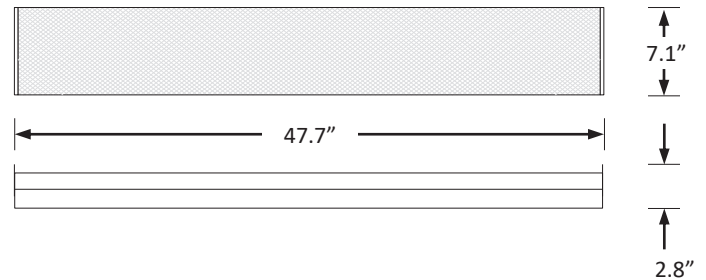
* Contact factory for other color temperatures and lumen packages.

** L_{70} hours are IES TM-21-11 calculated hours.

WARRANTY & LISTINGS

- cULus approved for damp locations in ambient temperatures from -20°C to 60°C (-4°F to 140°F).
- DLC approved.
- Complies with FCC Part 15, Class B.
- Complies with IEEE C.62.41-1991, Class A input transient surge protection (2.5kV).
- 5-year warranty of all electronics and housing.

DIMENSIONS



Weight: 8 lbs.

ORDERING INFORMATION

Example: WR-5L-LKFS-ODS-EM10-OBD

| Series | Nominal Lumen Output | | Select | Occupancy Sensor ¹² | | Internally Installed Emergency Drivers ³ | | Controls | |
|--------|----------------------|----------------------|--------|--------------------------------|---------------------|---|---------------------|----------|-------------------|
| | 5L | 5,000 nominal lumens | | OS | Passive infrared | EM10 | 1,390 lumens | BT | Bluetooth control |
| WR | 5L | 5,000 nominal lumens | LKFS | ODS | Microwave | EM13 | 1,780 lumens | OBD | On board dimmer |
| | | | | Blank | No occupancy sensor | Blank | No emergency driver | Blank | No control/dimmer |

¹ Contact factory for other sensors.

² OS = passive infrared technology – features include on/off only. ODS = microwave technology – features include on/off, step-dimming, and daylight threshold. Default sensor settings: detection area = 100%, hold time = 20 minutes, stand-by period = 10 minutes, stand-by dimming level = 50%, daylight threshold = disabled. Remote control optional but not required, part number = MWAVEDHS-REM.

³ See emergency driver compatibility list (page 2).

COMPATIBLE EMERGENCY DRIVERS*

| Emergency Driver Part Number | EM10 | | EM13 | |
|------------------------------|-------|-----------|-------|-----------|
| | Watts | EM Lumens | Watts | EM Lumens |
| WR-5L-LKFS | 10 | 1320 | 13 | 1720 |

* Suitable for ambient temperatures above 10°C (50°F).

COMPATIBLE EMERGENCY DRIVERS INTERNALLY INSTALLED ^{1 2}

| Model | Emergency Options |
|------------|-------------------|
| WR-5L-LKFS | EM10 EM13 |

¹ Suitable for ambient temperatures above 10°C (50°F).

² For list of remote mountable emergency drivers, see *ACCESSORIES*.

ACCESSORIES (Order Separately)

Remote Mount Emergency Drivers*

BLEM-CP-10C = Emergency driver - EM10

BLEM-CP-13C = Emergency driver - EM13

* Suitable for ambient temperatures above 10°C (50°F).

COMPATIBLE DIMMERS & CONTROLS

| Manufacturer | Model Number | Dimming Range | Load Switching Capacity |
|--------------|--------------|---------------|-------------------------|
| Americanlite | DWS-010V-T | 10%-100% | 600W |
| Americanlite | DWS-010V-D | 10%-100% | 600W |
| Leviton | IP710-LFZ | 10%-100% | 1200W |
| Lutron | DVSTV | 10%-100% | 450W |
| Vealite* | PPA401S | 10%-100% | 1200W |
| Keilton | PPA102S | 10%-100% | 360W |

* Remote control required (sold separately). Part number WP401.

ELECTRICAL DATA

| Series | Measurements | Low Lumens | | | Mid Lumens | | | High Lumens | | |
|--------------|-------------------|--------------|--------------|--------------|--------------|--------------|--------------|--------------|--------------|--------------|
| | | 3500K | 4000K | 5000K | 3500K | 4000K | 5000K | 3500K | 4000K | 5000K |
| WR-5L-LKFS | Lumens | 4155 | 4336 | 4233 | 4750 | 4932 | 4817 | 5423 | 5837 | 5503 |
| | Watts | 30 | 28 | 30 | 35 | 32 | 35 | 41 | 39 | 41 |
| | Efficacy | 138 | 154 | 141 | 135 | 152 | 137 | 132 | 149 | 134 |
| | Input Current (A) | 120V = 0.25A | 120V = 0.23A | 120V = 0.25A | 120V = 0.29A | 120V = 0.27A | 120V = 0.29A | 120V = 0.34A | 120V = 0.33A | 120V = 0.34A |
| 240V = 0.13A | | 240V = 0.12A | 240V = 0.13A | 240V = 0.15A | 240V = 0.13A | 240V = 0.15A | 240V = 0.17A | 240V = 0.16A | 240V = 0.17A | |
| 277V = 0.11A | | 277V = 0.10A | 277V = 0.11A | 277V = 0.13A | 277V = 0.12A | 277V = 0.13A | 277V = 0.15A | 277V = 0.14A | 277V = 0.15A | |

PHOTOMETRIC DATA

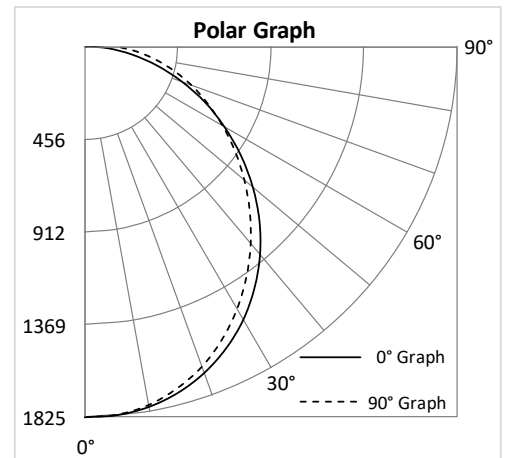
WR-5L-LKFS

Luminaire Data

| | |
|-----------------------------|-------------------------------|
| Description | 4' WRAP LIGHT 5L 5K - LKFS |
| Total Lumens | 5,504 |
| Input Wattage | 41 |
| Efficacy (lm/W) | 134 |
| Spacing Criterion (0-180°) | 1.28 |
| Spacing Criterion (90-270°) | 1.22 |

Zonal Lumen Summary

| Zone | Lumens | %Fixt |
|---------|--------|--------|
| 0-20° | 665 | 12.1% |
| 0-30° | 1,403 | 25.5% |
| 0-40° | 2,280 | 41.4% |
| 20-50° | 2,514 | 45.7% |
| 40-70° | 2,339 | 42.5% |
| 0-60° | 3,986 | 72.4% |
| 0-80° | 5,034 | 91.5% |
| 0-90° | 5,228 | 95.0% |
| 90-180° | 276 | 5.0% |
| 0-180° | 5,504 | 100.0% |



Lumen and Kelvin Field Selectable Wrap Light Economy



STANDARD



FEATURES

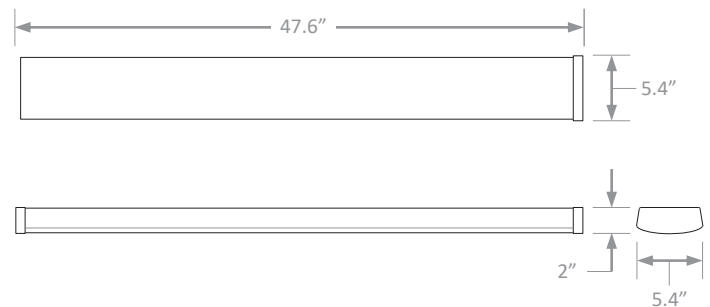
- Field selectable 3500k (warm/neutral white), 4000k (neutral white), and 5000k (cool white) color temperatures.*
- Long-life LEDs provide 196,000 hours of operation with at least 70% of initial lumen output (L₇₀), and 60,000 hours with at least 90% of initial lumen output (L₉₀).**
- LED chromaticity based on ≤ 7-step ANSI quadrangles.
- Selectable lumen outputs range from 4,000, 5,000 to 6,000 nominal lumens.*
- Universal 120-277 AC voltage (50-60Hz) is standard.
- 0-10vdc dimming is standard.
- Power factor > 0.90.
- Total harmonic distortion < 20%.
- Color rendering index > 80.
- Steel housing.
- Polycarbonate lens.
- Easy installation in new construction or retrofit applications.

* Contact factory for other color temperatures and lumen packages.
** L70 hours are IES TM-21-11 calculated hours.

WARRANTY & LISTINGS

- cULus listed for damp locations in ambient temperatures from -25°C to 50°C (-13°F to 122°F).
- DLC approved.
- Complies with FCC Part 15, class A.
- Complies with IEEE C.62.41-2002, input transient protection (1.0kV).
- Flicker-free per IEEE1789-2015 (no observable adverse effects of flicker at 100% light output level).
- 5-year warranty of all electronics and housing.

DIMENSIONS



Weight: 3.7 lbs.

ORDERING INFORMATION

Example: WRE-6L-LKFS

| Series | Nominal Lumen Output | | Select |
|--------|----------------------|----------------------|--------|
| WRE | 6L | 6,000 nominal lumens | LKFS |

ELECTRICAL DATA

| Series | Measurements | Low Lumens | | | Mid Lumens | | | High Lumens | | |
|--------------|-------------------|--------------|--------------|--------------|--------------|--------------|--------------|--------------|--------------|--------------|
| | | 3500K | 4000K | 5000K | 3500K | 4000K | 5000K | 3500K | 4000K | 5000K |
| WRE-LKFS | Lumens | 3827 | 3925 | 3966 | 4756 | 5017 | 4936 | 5531 | 5880 | 5732 |
| | Watts | 30 | 30 | 30 | 39 | 39 | 39 | 47 | 45 | 47 |
| | Efficacy | 126 | 131 | 131 | 122 | 128 | 127 | 118 | 131 | 122 |
| | Input Current (A) | 120V = 0.25A | 120V = 0.25A | 120V = 0.25A | 120V = 0.33A | 120V = 0.33A | 120V = 0.33A | 120V = 0.39A | 120V = 0.38A | 120V = 0.39A |
| 240V = 0.13A | | 240V = 0.13A | 240V = 0.13A | 240V = 0.16A | 240V = 0.16A | 240V = 0.16A | 240V = 0.20A | 240V = 0.19A | 240V = 0.20A | |
| 277V = 0.11A | | 277V = 0.11A | 277V = 0.11A | 277V = 0.14A | 277V = 0.14A | 277V = 0.14A | 277V = 0.17A | 277V = 0.16A | 277V = 0.17A | |

PHOTOMETRIC DATA

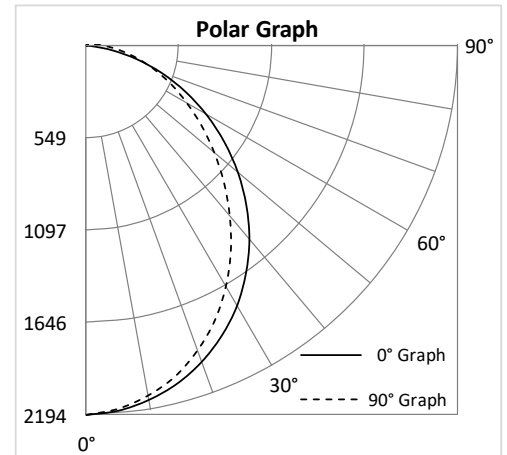
WRE-6L-LKFS

Luminaire Data

| | |
|--------------------------------|-------------------------|
| Description | ECONOMY 6L 5K - LKFS |
| Total Lumens | 5,734 |
| Input Wattage | 47 |
| Efficacy (lm/W) | 123 |
| Spacing Criterion (0-180°) | 1.22 |
| Spacing Criterion (90-270°) | 1.14 |

Zonal Lumen Summary

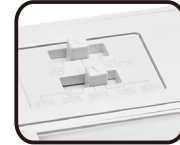
| Zone | Lumens | %Fixt |
|---------|--------|--------|
| 0-20° | 795 | 13.9% |
| 0-30° | 1,667 | 29.1% |
| 0-40° | 2,683 | 46.8% |
| 20-50° | 2,897 | 50.5% |
| 40-70° | 2,517 | 43.9% |
| 0-60° | 4,560 | 79.5% |
| 0-80° | 5,568 | 97.1% |
| 0-90° | 5,694 | 99.3% |
| 90-180° | 40 | 0.7% |
| 0-180° | 5,734 | 100.0% |



COMPATIBLE DIMMERS & CONTROLS

| Manufacturer | Model Number | Dimming Range | Load Switching Capacity |
|--------------|--------------|---------------|-------------------------|
| Americanlite | DWS-010V-T | 10%-100% | 600W |
| Americanlite | DWS-010V-D | 10%-100% | 600W |
| Leviton | IP710-LFZ | 10%-100% | 1200W |
| Lutron | DVSTV | 10%-100% | 450W |

Undercabinet Light Selectable CCT



STANDARDS



HOUSING

- Aluminum, white housing.

ELECTRICAL

- Operating temperature (ambient): -20°C to 45°C (-4°F to 113°F) .
- Universal 120V AC voltage (60Hz) is standard.
- UC9-3L-5CCT = 4W
- UC12-8L-5CCT = 8W
- UC18-12L-5CCT = 12W
- UC24-16L-5CCT = 16W
- UC36-23L-5CCT = 24W
- Two or more lights can be linked.(see page 2 for run limitations)
- Maximum Load: Maximum limit of 2A per linking circuit.
- Triac dimming.
- Input transient surge protection = 1kV.
- Power factor > 0.90.
- Total Harmonic distortion < 20%.

OPTICAL SYSTEM

- Polycarbonate diffuser.
- Rotatable light bar swivel 65°.
- Field selectable 2700k(soft white), 3000k(warm white), 3500k(warm/neutral white), 4000k (neutral white) and 5000k (cool white) color temperatures*.
- Delivers a range of 300 to 2,300 nominal lumens*.
- Long-life LEDs provide 167,000 hours of operation with at least 70% of initial lumen output (L70), and 51,000 hours with at least 90% of initial lumen output (L90)**.
- LED color maintenance < 0.0059 chromaticity shift ($\Delta u'v'$) over the initial 6,000 hours of operation.
- Integrated PIR sensor is standard.
- Color rendering index > 90.

* Factory Default kelvin temperature 4000k.

**L70 hours are IES TM-21-11 calculated hours.

MOUNTING

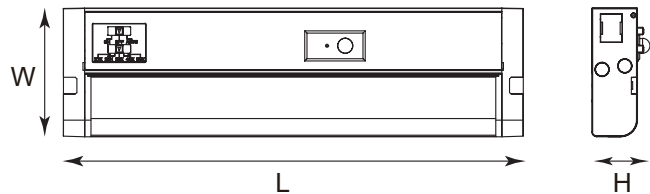
- Surface mounting.

CODE COMPLIANCE

- cETLus listed for damp locations.
- Complies with FCC part 15, class B.
- Complies with Title 24.

WARRANTY

- 5 year warranty on all electronics and housing.



| Model # | L (in) | W (in) | H (in) | Weight (lbs) |
|---------------|--------|--------|--------|--------------|
| UC9-3L-5CCT | 8.98 | 3.35 | 1.51 | 1.06 |
| UC12-8L-5CCT | 11.97 | 3.35 | 1.51 | 1.19 |
| UC18-12L-5CCT | 17.99 | 3.35 | 1.51 | 1.33 |
| UC24-16L-5CCT | 23.98 | 3.35 | 1.51 | 1.50 |
| UC36-23L-5CCT | 36.02 | 3.35 | 1.51 | 1.61 |

ORDERING INFORMATION

Example: UC9-3L-5CCT

| Model | Nominal Lumen Output | | Kelvin Selectable | |
|-------|----------------------|---------|-------------------|-----------------------------------|
| UC9 | 3L | 300 lm | 5CCT | 2700 / 3000 / 3500 / 4000 / 5000K |
| UC12 | 8L | 800 lm | | |
| UC18 | 12L | 1200 lm | | |
| UC24 | 16L | 1600 lm | | |
| UC36 | 23L | 2300 lm | | |

ACCESSORIES (ORDER SEPARATELY)

Linking Connector

| | | |
|---------------------|---|--|
| ZZ-CORDPLUG-UC-4C3P | = | 120V, 4FT white cord with NEMA 5-15 Plug |
| ZZ-UC-CONNECT-2IN | = | 2 inch Linking Connector Cable |
| ZZ-UC-CONNECT-2.5IN | = | 2.5 inch Linking Connector Cable |
| ZZ-UC-CONNECT-3IN | = | 3 inch Linking Connector Cable |
| ZZ-UC-CONNECT-24IN | = | 24 inch Linking Connector Cable |

COMPATIBLE DIMMERS AND CONTROLS

| Manufacturer | Model Number | | |
|--------------|--------------|----------------|---------------|
| Lutron | TG-600PR-WH | CTCL-153PDH-WH | TGCL-153PH-LA |
| | SLV-600P-AL | DVCL-153P | MSCL-OP153M |
| | PD-6WCL | CT-103PR-WH | DVWCL-153PH |
| | RCL-153RNL | - | - |
| Leviton | 6672 | RNL06 | - |

MAXIMUM RUN

| Series | Max. Quantity | Max. Size |
|---------------|---------------|-----------|
| UC9-3L-5CCT | 120 Units | 90-ft |
| UC12-8L-5CCT | 60 Units | 60-ft |
| UC18-12L-5CCT | 40 Units | 60-ft |
| UC24-16L-5CCT | 30 Units | 60-ft |
| UC36-23L-5CCT | 20 Units | 60-ft |

NOTE: Maximum limit of 2A per linking circuit.

LUMEN TABLES

| Series | Measurements | Lumens | | | | |
|-------------|--------------|--------|-------|-------|-------|-------|
| | | 2700K | 3000K | 3500K | 4000K | 5000K |
| UC9-3L-5CCT | Lumens | 307 | 326 | 339 | 344 | 340 |
| | Watts | 4.02 | 4 | 3.95 | 3.98 | 4.01 |
| | Efficacy | 76.37 | 81.50 | 85.82 | 86.43 | 84.79 |

| Series | Measurements | Lumens | | | | |
|--------------|--------------|--------|-------|-------|-------|-------|
| | | 2700K | 3000K | 3500K | 4000K | 5000K |
| UC12-8L-5CCT | Lumens | 677 | 714 | 752 | 764 | 751 |
| | Watts | 7.96 | 7.86 | 7.71 | 7.84 | 7.98 |
| | Efficacy | 85.05 | 90.84 | 97.54 | 97.45 | 94.11 |

| Series | Measurements | Lumens | | | | |
|---------------|--------------|--------|-------|-------|-------|-------|
| | | 2700K | 3000K | 3500K | 4000K | 5000K |
| UC18-12L-5CCT | Lumens | 1,019 | 1,082 | 1,138 | 1,152 | 1,136 |
| | Watts | 11.95 | 11.77 | 11.49 | 11.68 | 11.94 |
| | Efficacy | 85.27 | 91.93 | 99.04 | 98.63 | 95.14 |

| Series | Measurements | Lumens | | | | |
|---------------|--------------|--------|-------|--------|--------|--------|
| | | 2700K | 3000K | 3500K | 4000K | 5000K |
| UC24-16L-5CCT | Lumens | 1,453 | 1,544 | 1,612 | 1,638 | 1,614 |
| | Watts | 15.94 | 15.63 | 15.31 | 15.53 | 15.9 |
| | Efficacy | 91.15 | 98.78 | 105.29 | 105.47 | 101.51 |

| Series | Measurements | Lumens | | | | |
|---------------|--------------|--------|-------|--------|--------|-------|
| | | 2700K | 3000K | 3500K | 4000K | 5000K |
| UC36-23L-5CCT | Lumens | 2,096 | 2,202 | 2,298 | 2,338 | 2,322 |
| | Watts | 23.65 | 22.98 | 22.54 | 22.92 | 23.64 |
| | Efficacy | 88.63 | 95.82 | 101.95 | 102.01 | 98.22 |

ELECTRICAL DATA

| Series | CCT | Input Amps (A) |
|-------------|-------|----------------|
| | | Lumens |
| | | 120V |
| UC9-3L-5CCT | 2700K | 0.03 |
| | 3000K | 0.03 |
| | 3500K | 0.03 |
| | 4000K | 0.03 |
| | 5000K | 0.03 |

| Series | CCT | Input Amps (A) |
|--------------|-------|----------------|
| | | Lumens |
| | | 120V |
| UC12-8L-5CCT | 2700K | 0.07 |
| | 3000K | 0.07 |
| | 3500K | 0.06 |
| | 4000K | 0.07 |
| | 5000K | 0.07 |

| Series | CCT | Input Amps (A) |
|---------------|-------|----------------|
| | | Lumens |
| | | 120V |
| UC18-12L-5CCT | 2700K | 0.10 |
| | 3000K | 0.10 |
| | 3500K | 0.10 |
| | 4000K | 0.10 |
| | 5000K | 0.10 |

| Series | CCT | Input Amps (A) |
|---------------|-------|----------------|
| | | Lumens |
| | | 120V |
| UC24-16L-5CCT | 2700K | 0.13 |
| | 3000K | 0.13 |
| | 3500K | 0.13 |
| | 4000K | 0.13 |
| | 5000K | 0.13 |

| Series | CCT | Input Amps (A) |
|---------------|-------|----------------|
| | | Lumens |
| | | 120V |
| UC36-23L-5CCT | 2700K | 0.20 |
| | 3000K | 0.19 |
| | 3500K | 0.19 |
| | 4000K | 0.19 |
| | 5000K | 0.20 |

Undercabinet Economy Kelvin Field Selectable

STANDARD



FEATURES

- Field selectable 2700k (soft white), 3000k (warm white), 3500k (warm/neutral white), 4000k (neutral white) and 5000k (cool white) color temperatures.*
- Long-life LEDs provide up to 196,000 hours of operation with at least 70% of initial lumen output (L₇₀).**
- Available models provide from 334 to 1,543 nominal lumens.*
- 120 AC voltage (60Hz) is standard.
- Power factor > 90.
- Total harmonic distortion < 20%.
- Color rendering index > 90.
- Steel housing.
- Polycarbonate lens.
- Knockouts on sides and back simplify electrical connections.
- Keyhole slots provide for easy installation in new construction or retrofit applications.

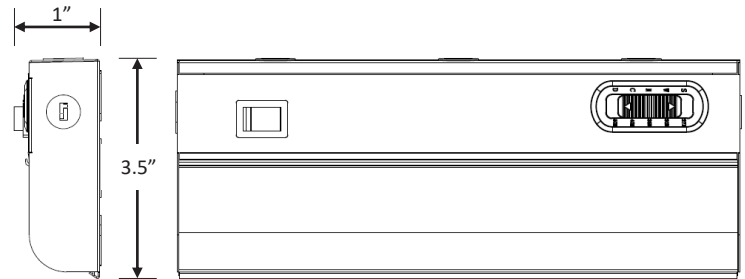
* Contact factory for other color temperatures and lumen packages.
** L70 hours are IES TM-21-11 calculated hours.



WARRANTY & LISTINGS

- cULus listed for damp locations.
- Energy Star certified.
- Complies with FCC Part 15, class B.
- Complies with ANSI/IEEE C62.41.1-2002, surge immunity protection (2.5kV).
- 5-year warranty of all electronics and housing.

DIMENSIONS



| | | | | | | | |
|--------------|-------|--------|--------|--------|--------|--------|--------|
| Series | UCE-9 | UCE-12 | UCE-18 | UCE-21 | UCE-24 | UCE-33 | UCE-42 |
| Length | 9" | 12" | 18" | 21" | 24" | 33" | 42" |
| Weight (lbs) | 0.80 | 1 | 1.30 | 1.60 | 1.70 | 2.40 | 3 |

ORDERING INFORMATION

Example: UCE-24-KFS

| Series | Length (ft.) | Color Temperature | |
|--------|--------------|-------------------|-------|
| UCE | 9 | KFS* | 2700k |
| | 12 | | 3000k |
| | 18 | | 3500k |
| | 21 | | 4000k |
| | 24 | | 5000k |
| | 33 | | |
| | 42 | | |

* Field selectable kelvin temperatures.

ELECTRICAL DATA

| Series | Measurements | UCE-9-KFS | | | | | UCE-12-KFS | | | | |
|--------------|-------------------|--------------|--------------|--------------|--------------|--------------|--------------|--------------|--------------|--------------|--------------|
| | | 2700k | 3000k | 3500k | 4000K | 5000K | 2700k | 3000k | 3500k | 4000K | 5000K |
| UCE-KFS | Lumens | 334 | 391 | 398 | 412 | 391 | 390 | 414 | 439 | 450 | 444 |
| | Watts | 5 | 5 | 5 | 5 | 5 | 5 | 5 | 5 | 5 | 5 |
| | Efficacy | 66 | 73 | 82 | 86 | 79 | 78 | 83 | 90 | 92 | 88 |
| | Input Current (A) | 120V = 0.04A | 120V = 0.04A | 120V = 0.04A | 120V = 0.04A | 120V = 0.04A | 120V = 0.04A | 120V = 0.04A | 120V = 0.04A | 120V = 0.04A | 120V = 0.04A |
| 240V = 0.02A | | 240V = 0.02A | 240V = 0.02A | 240V = 0.02A | 240V = 0.02A | 240V = 0.02A | 240V = 0.02A | 240V = 0.02A | 240V = 0.02A | 240V = 0.02A | |
| 277V = 0.02A | | 277V = 0.02A | 277V = 0.02A | 277V = 0.02A | 277V = 0.02A | 277V = 0.02A | 277V = 0.02A | 277V = 0.02A | 277V = 0.02A | 277V = 0.02A | |

| Series | Measurements | UCE-18-KFS | | | | | UCE-21-KFS | | | | |
|--------------|-------------------|--------------|--------------|--------------|--------------|--------------|--------------|--------------|--------------|--------------|--------------|
| | | 2700k | 3000k | 3500k | 4000K | 5000K | 2700k | 3000k | 3500k | 4000K | 5000K |
| UCE-KFS | Lumens | 673 | 719 | 760 | 770 | 720 | 665 | 703 | 742 | 764 | 746 |
| | Watts | 9 | 9 | 9 | 9 | 9 | 9 | 9 | 9 | 9 | 9 |
| | Efficacy | 75 | 81 | 88 | 88 | 79 | 76 | 81 | 87 | 90 | 85 |
| | Input Current (A) | 120V = 0.08A | 120V = 0.08A | 120V = 0.08A | 120V = 0.08A | 120V = 0.08A | 120V = 0.08A | 120V = 0.08A | 120V = 0.08A | 120V = 0.08A | 120V = 0.08A |
| 240V = 0.04A | | 240V = 0.04A | 240V = 0.04A | 240V = 0.04A | 240V = 0.04A | 240V = 0.04A | 240V = 0.04A | 240V = 0.04A | 240V = 0.04A | 240V = 0.04A | |
| 277V = 0.03A | | 277V = 0.03A | 277V = 0.03A | 277V = 0.03A | 277V = 0.03A | 277V = 0.03A | 277V = 0.03A | 277V = 0.03A | 277V = 0.03A | 277V = 0.03A | |

| Series | Measurements | UCE-24-KFS | | | | | UCE-33-KFS | | | | |
|--------------|-------------------|--------------|--------------|--------------|--------------|--------------|--------------|--------------|--------------|--------------|--------------|
| | | 2700k | 3000k | 3500k | 4000K | 5000K | 2700k | 3000k | 3500k | 4000K | 5000K |
| UCE-KFS | Lumens | 696 | 736 | 779 | 803 | 786 | 1064 | 1152 | 1214 | 1245 | 1202 |
| | Watts | 9 | 9 | 9 | 9 | 9 | 14 | 14 | 14 | 14 | 14 |
| | Efficacy | 76 | 82 | 88 | 91 | 86 | 76 | 84 | 90 | 91 | 85 |
| | Input Current (A) | 120V = 0.08A | 120V = 0.08A | 120V = 0.08A | 120V = 0.08A | 120V = 0.08A | 120V = 0.08A | 120V = 0.12A | 120V = 0.12A | 120V = 0.12A | 120V = 0.12A |
| 240V = 0.04A | | 240V = 0.04A | 240V = 0.04A | 240V = 0.04A | 240V = 0.04A | 240V = 0.04A | 240V = 0.06A | 240V = 0.06A | 240V = 0.06A | 240V = 0.06A | 240V = 0.06A |
| 277V = 0.03A | | 277V = 0.03A | 277V = 0.03A | 277V = 0.03A | 277V = 0.03A | 277V = 0.03A | 277V = 0.05A | 277V = 0.05A | 277V = 0.05A | 277V = 0.05A | 277V = 0.05A |

| Series | Measurements | UCE-42-KFS | | | | |
|--------------|-------------------|--------------|--------------|--------------|--------------|--------------|
| | | 2700k | 3000k | 3500k | 4000K | 5000K |
| UCE-KFS | Lumens | 1315 | 1415 | 1514 | 1543 | 1488 |
| | Watts | 18 | 18 | 18 | 18 | 18 |
| | Efficacy | 72 | 79 | 87 | 88 | 82 |
| | Input Current (A) | 120V = 0.15A | 120V = 0.15A | 120V = 0.15A | 120V = 0.15A | 120V = 0.15A |
| 240V = 0.08A | | 240V = 0.08A | 240V = 0.08A | 240V = 0.08A | 240V = 0.08A | |
| 277V = 0.06A | | 277V = 0.06A | 277V = 0.06A | 277V = 0.06A | 277V = 0.06A | |

4FT Architectural linear Direct-Indirect Lumen & Kelvin Selectable



STANDARDS



HOUSING

- Premium powder-coat, sheet metal stamping, white or black housing.

ELECTRICAL

- Operating temperature (ambient):
-20°C to 50°C (-4°F to 122°F) when fixture is mounted at least 18" from ceiling;
-20°C to 40°C (-4°F to 104°F) when surface mounted.
- Universal 120-277V AC voltage (50-60Hz) is standard.
- 0-10VDC dimming drivers are standard.
- Toolless linking of up to 10 fixture/ connector @120V.
- Power cord sold separately, required for suspension, cable and T-grid mounting.
- Input transient surge protection = 2.5kV.
- Power factor > 0.90.
- Total Harmonic distortion < 20%.

OPTICAL SYSTEM

- PMMA Lens.
- Field selectable 2700k(soft white), 3000k(warm white), 3500k(warm/neutral white), 4000k (neutral white) and 5000k (cool white) color temperatures*.
- Four selectable light output settings provide 2,396 to 5,078 nominal lumens (see lumen tables on page 5)*.
- Switchable between a combination of up-light and down-light. (see lumen tables on page 5.)
- Long-life LEDs provide 175,000 hours of operation with at least 70% of initial lumen output (L70), and 53,000 hours with at least 90% of initial lumen output (L90)**.
- LED color maintenance < -0.0036 chromaticity shift ($\Delta u'v'$) over the initial 6,000 hours of operation.
- Color rendering index > 80.

* Factory Default kelvin temperature 4000k and highest lumen output.

**L70 & L90 hours are IES TM-21-11 calculated hours.

MOUNTING+

- Optional recessed mount kit.
- Optional surface /wall mount kit.
- Optional cable mount kit.
- Optional suspension mount kit.
- Optional T-Grid suspension mount kit.

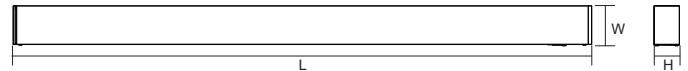
+ Mounting means required and sold separately.

CODE COMPLIANCE

- cULus listed for damp locations.
- Complies with FCC part 15, class A.

WARRANTY

- 5 year warranty on all electronics and housing.



| Model # | L (in) | W (in) | H (in) | Weight (lbs) |
|------------------|--------|--------|--------|--------------|
| ALDI4-5432L-5CCT | 48.15 | 2.13 | 3.33 | 5.53 |
| ALDI-CONNECT-L | 13.13 | 13.13 | 3.3 | 2.98 |
| ALDI-CONNECT-T | 13.13 | 13.43 | 3.3 | 2.98 |
| ALDI-CONNECT-X | 13.43 | 13.43 | 3.3 | 2.98 |

ORDERING INFORMATION

Example: ALDI4-5432L-5CCT-WHT

| Series | Nominal Lumen Output (Selectable) | | Kelvin Selectable | Housing Color |
|--------|-----------------------------------|----------------------------------|--|------------------------|
| ALDI4 | 5432L | 5,000 / 4,000 / 3,000 / 2,000 lm | 5CCT 2700K / 3000K / 3500K / 4000K / 5000K | WHT White BLK Black |

ACCESSORIES (ORDER SEPARATELY)

Connectors

| | | |
|--------------------|---|---|
| ALDI-CONNECT-L-WHT | = | "L" shape Connector for ALDI4-5432L-5CCT, White |
| ALDI-CONNECT-L-BLK | = | "L" shape Connector for ALDI4-5432L-5CCT, Black |
| ALDI-CONNECT-T-WHT | = | "T" shape Connector for ALDI4-5432L-5CCT, White |
| ALDI-CONNECT-T-BLK | = | "T" shape Connector for ALDI4-5432L-5CCT, Black |
| ALDI-CONNECT-X-WHT | = | "X" shape Connector for ALDI4-5432L-5CCT, White |
| ALDI-CONNECT-X-BLK | = | "X" shape Connector for ALDI4-5432L-5CCT, Black |

Power Cable

| | | |
|--------------------|---|--|
| ALDI-CORD-WHT | = | 4' Power Cord for ALDI4-5432L-5CCT, white |
| ALDI-CORD-BLK | = | 4' Power Cord for ALDI4-5432L-5CCT, black |
| ALDI-CORD-WHT-15C5 | = | 15' Power Cord for ALDI4-5432L-5CCT, white |
| ALDI-CORD-BLK-15C5 | = | 15' Power Cord for ALDI4-5432L-5CCT, black |

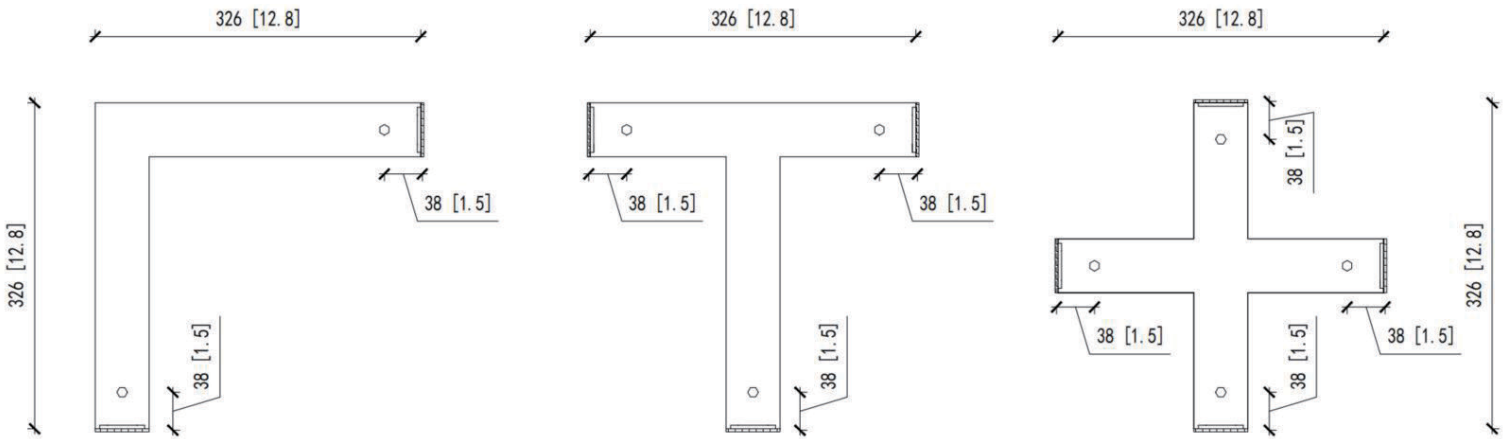
Mounting Methods

| | | |
|------------------------|---|--|
| ALDI4-MT-RECESSED | = | Recessed Mount Kit for ALDI4-5432L-5CCT |
| ALDI4-MT-T-GRID-WHT | = | T-Grid Mount Kit for ALDI4-5432L-5CCT, white |
| ALDI4-MT-T-GRID-BLK | = | T-Grid Mount Kit for ALDI4-5432L-5CCT, black |
| ALDI-MT-SUSPENSION-WHT | = | Suspension Mount Kit for ALDI4-5432L-5CCT, white |
| ALDI-MT-SUSPENSION-BLK | = | Suspension Mount Kit for ALDI4-5432L-5CCT, black |
| ALDI-MT-SURFACE-WHT | = | Surface & Wall Mount Kit for ALDI4-5432L-5CCT, white |
| ALDI-MT-SURFACE-BLK | = | Surface & Wall Mount Kit for ALDI4-5432L-5CCT, black |
| ALDI-MT-CABLE | = | Cable Mount Kit for ALDI4-5432L-5CCT L, T & X connectors |

COMPATIBLE DIMMERS AND CONTROLS

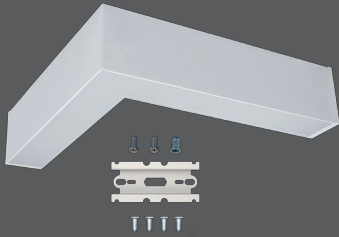
| Manufacturer | Model Number | Dimmer Range | Load Switching Capacity |
|--------------|--------------|--------------|-------------------------|
| Americanlite | DWS-010V-T | 10%-100% | 600W |
| Americanlite | DWS-010V-D | 10%-100% | 600W |
| Leviton | IP710-LFZ | 10%-100% | 1200W |
| Lutron | DVSTV | 10%-100% | 450W |

CONNECTOR DIMENSIONS



INSTALLATION ACCESSORIES

'L' connector



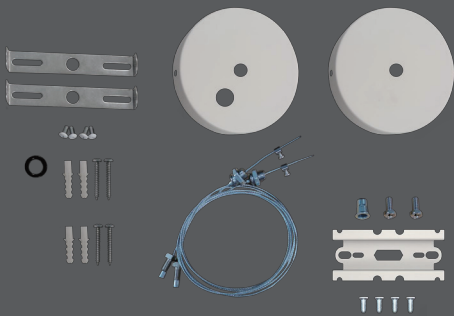
'T' connector



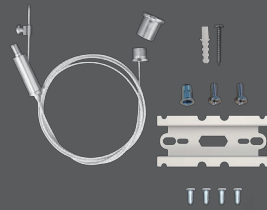
'X' connector



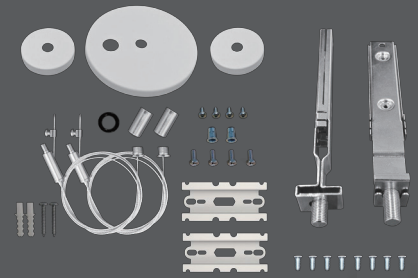
Suspension mount kit



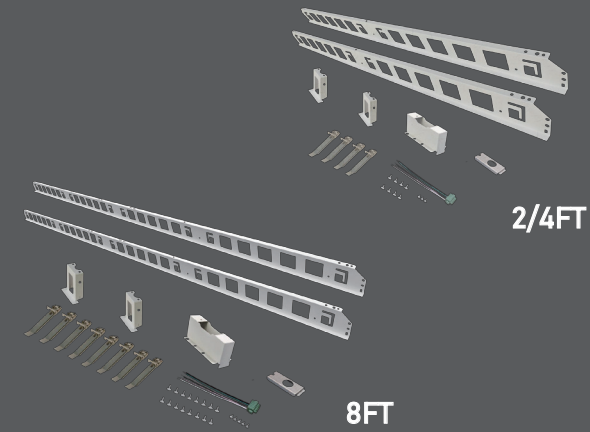
Cable kit for connection



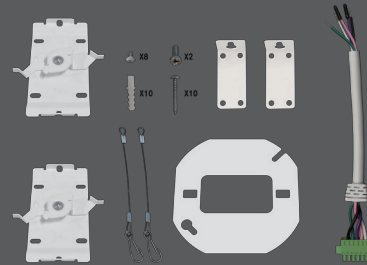
T-Grid suspension kit



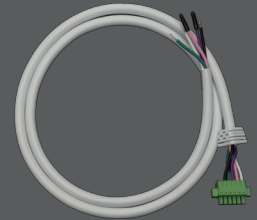
Recessed mount kit



Surface mount & Wall mount kit



Power cords



LUMEN TABLES*

| Series | Measurements | 100% Down / 0% Up | | | | | 70% Down / 30% Up | | | | | 50% Down / 50% Up | | | | |
|----------------------|--------------|-------------------|--------|--------|--------|--------|-------------------|--------|--------|--------|--------|-------------------|--------|--------|--------|--------|
| | | 2700K | 3000K | 3500K | 4000K | 5000K | 2700K | 3000K | 3500K | 4000K | 5000K | 2700K | 3000K | 3500K | 4000K | 5000K |
| ALDI4-5432L-5CCT-WHT | Lumens | 4,617 | 4,642 | 4,673 | 4,698 | 4,729 | 4,679 | 4,683 | 4,715 | 4,735 | 4,764 | 4,738 | 4,759 | 4,791 | 4,809 | 4,843 |
| | Watts | 40.28 | 40.25 | 40.27 | 40.4 | 40.29 | 41.36 | 41.45 | 41.42 | 41.43 | 41.26 | 41.11 | 41.32 | 41.27 | 41.25 | 41.01 |
| | Efficacy | 114.62 | 115.34 | 116.05 | 116.29 | 117.37 | 113.12 | 112.99 | 113.84 | 114.28 | 115.47 | 115.25 | 115.17 | 116.08 | 116.58 | 118.09 |

| Series | Measurements | 100% Down / 0% Up | | | | | 70% Down / 30% Up | | | | | 50% Down / 50% Up | | | | |
|----------------------|--------------|-------------------|--------|--------|--------|--------|-------------------|--------|--------|--------|--------|-------------------|--------|--------|--------|--------|
| | | 2700K | 3000K | 3500K | 4000K | 5000K | 2700K | 3000K | 3500K | 4000K | 5000K | 2700K | 3000K | 3500K | 4000K | 5000K |
| ALDI4-5432L-5CCT-BLK | Lumens | 4,903 | 4,948 | 5,053 | 5,078 | 4,949 | 4,842 | 4,897 | 5,015 | 5,044 | 4,896 | 4,761 | 4,799 | 4,942 | 5,008 | 4,852 |
| | Watts | 41.81 | 40.76 | 41.96 | 40.77 | 41.78 | 42.09 | 41.48 | 42.21 | 41.49 | 42.03 | 42.33 | 42.49 | 42.5 | 42.5 | 42.3 |
| | Efficacy | 117.26 | 121.39 | 120.43 | 124.55 | 118.47 | 115.03 | 118.05 | 118.82 | 121.58 | 116.50 | 112.47 | 112.94 | 116.28 | 117.84 | 114.70 |

* Contact factory for additional performance details.

ELECTRICAL DATA

| Series | CCT | Input Amps (A) | | | | | | | | |
|----------------------|-------|-------------------|------|------|-------------------|------|------|-------------------|------|------|
| | | 100% Down / 0% Up | | | 70% Down / 30% Up | | | 50% Down / 50% Up | | |
| | | 120V | 240V | 277V | 120V | 240V | 277V | 120V | 240V | 277V |
| ALDI4-5432L-5CCT-WHT | 2700k | 0.34 | 0.17 | 0.15 | 0.34 | 0.17 | 0.15 | 0.34 | 0.17 | 0.15 |
| | 3000k | 0.34 | 0.17 | 0.15 | 0.35 | 0.17 | 0.15 | 0.34 | 0.17 | 0.15 |
| | 3500k | 0.34 | 0.17 | 0.15 | 0.35 | 0.17 | 0.15 | 0.34 | 0.17 | 0.15 |
| | 4000k | 0.34 | 0.17 | 0.15 | 0.35 | 0.17 | 0.15 | 0.34 | 0.17 | 0.15 |
| | 5000k | 0.34 | 0.17 | 0.15 | 0.34 | 0.17 | 0.15 | 0.34 | 0.17 | 0.15 |

| Series | CCT | Input Amps (A) | | | | | | | | |
|----------------------|-------|-------------------|------|------|-------------------|------|------|-------------------|------|------|
| | | 100% Down / 0% Up | | | 70% Down / 30% Up | | | 50% Down / 50% Up | | |
| | | 120V | 240V | 277V | 120V | 240V | 277V | 120V | 240V | 277V |
| ALDI4-5432L-5CCT-BLK | 2700k | 0.35 | 0.17 | 0.15 | 0.35 | 0.18 | 0.15 | 0.35 | 0.18 | 0.15 |
| | 3000k | 0.34 | 0.17 | 0.15 | 0.35 | 0.17 | 0.15 | 0.35 | 0.18 | 0.15 |
| | 3500k | 0.35 | 0.17 | 0.15 | 0.35 | 0.18 | 0.15 | 0.35 | 0.18 | 0.15 |
| | 4000k | 0.34 | 0.17 | 0.15 | 0.35 | 0.17 | 0.15 | 0.35 | 0.18 | 0.15 |
| | 5000k | 0.35 | 0.17 | 0.15 | 0.35 | 0.18 | 0.15 | 0.35 | 0.18 | 0.15 |

PHOTOMETRICS

ALDI4-5432L-5CCT-WHT (100% Down / 0% Up)

Luminaire Data

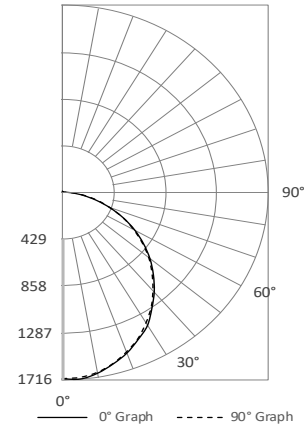
| | |
|-----------------------------|---|
| Description | 4' Linear direct/indirect Lumen/kelvin select |
| Total Lumens | 4,635 |
| Input Wattage | 40 |
| Efficacy (lm/W) | 116 |
| Spacing Criterion (0-180°) | 1.24 |
| Spacing Criterion (90-270°) | 1.22 |

Photometric based on 2700k and highest lumen setting

Zonal Lumen Summary

| Zone | Lumens | %Fixt | Zone | Lumens | %Fixt |
|--------|--------|-------|----------|--------|--------|
| 0-20° | 621 | 13.4% | 60-80° | 866 | 18.7% |
| 0-30° | 1,304 | 28.1% | 70-80° | 318 | 6.9% |
| 0-40° | 2,111 | 45.5% | 80-90° | 98 | 2.1% |
| 0-60° | 3,655 | 78.9% | 90-110° | 4 | 0.1% |
| 0-80° | 4,521 | 97.5% | 90-120° | 5 | 0.1% |
| 0-90° | 4,619 | 99.7% | 90-130° | 7 | 0.2% |
| 10-90° | 4,457 | 96.2% | 90-150° | 11 | 0.2% |
| 20-40° | 1,490 | 32.2% | 90-180° | 16 | 0.3% |
| 20-50° | 2,308 | 49.8% | 110-180° | 12 | 0.3% |
| 40-70° | 2,092 | 45.1% | 0-180° | 4,635 | 100.0% |

Polar Graph



ALDI4-5432L-5CCT-WHT (70% Down / 30% Up)

Luminaire Data

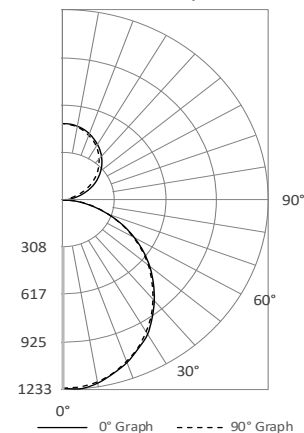
| | |
|-----------------------------|---|
| Description | 4' Linear direct/indirect Lumen/kelvin select |
| Total Lumens | 4,717 |
| Input Wattage | 41 |
| Efficacy (lm/W) | 116 |
| Spacing Criterion (0-180°) | 1.24 |
| Spacing Criterion (90-270°) | 1.22 |

Photometric based on 2700k and highest lumen setting

Zonal Lumen Summary

| Zone | Lumens | %Fixt | Zone | Lumens | %Fixt |
|--------|--------|-------|----------|--------|--------|
| 0-20° | 446 | 9.5% | 60-80° | 629 | 13.3% |
| 0-30° | 937 | 19.9% | 70-80° | 232 | 4.9% |
| 0-40° | 1,517 | 32.2% | 80-90° | 73 | 1.6% |
| 0-60° | 2,630 | 55.8% | 90-110° | 116 | 2.5% |
| 0-80° | 3,259 | 69.1% | 90-120° | 287 | 6.1% |
| 0-90° | 3,332 | 70.6% | 90-130° | 512 | 10.9% |
| 10-90° | 3,216 | 68.2% | 90-150° | 1,003 | 21.3% |
| 20-40° | 1,071 | 22.7% | 90-180° | 1,385 | 29.4% |
| 20-50° | 1,660 | 35.2% | 110-180° | 1,269 | 26.9% |
| 40-70° | 1,510 | 32.0% | 0-180° | 4,717 | 100.0% |

Polar Graph



ALDI4-5432L-5CCT-WHT (50% Down / 50% Up)

Luminaire Data

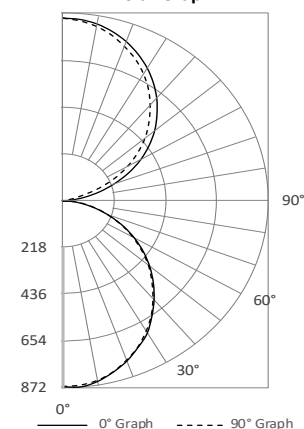
| | |
|-----------------------------|---|
| Description | 4' Linear direct/indirect Lumen/kelvin select |
| Total Lumens | 4,741 |
| Input Wattage | 41 |
| Efficacy (lm/W) | 115 |
| Spacing Criterion (0-180°) | N.A. |
| Spacing Criterion (90-270°) | N.A. |

Photometric based on 2700k and highest lumen setting

Zonal Lumen Summary

| Zone | Lumens | %Fixt | Zone | Lumens | %Fixt |
|--------|--------|-------|----------|--------|--------|
| 0-20° | 316 | 6.7% | 60-80° | 449 | 9.5% |
| 0-30° | 663 | 14.0% | 70-80° | 167 | 3.5% |
| 0-40° | 1,073 | 22.6% | 80-90° | 55 | 1.2% |
| 0-60° | 1,862 | 39.3% | 90-110° | 190 | 4.0% |
| 0-80° | 2,311 | 48.7% | 90-120° | 483 | 10.2% |
| 0-90° | 2,366 | 49.9% | 90-130° | 872 | 18.4% |
| 10-90° | 2,283 | 48.2% | 90-150° | 1,717 | 36.2% |
| 20-40° | 758 | 16.0% | 90-180° | 2,375 | 50.1% |
| 20-50° | 1,174 | 24.8% | 110-180° | 2,185 | 46.1% |
| 40-70° | 1,071 | 22.6% | 0-180° | 4,741 | 100.0% |

Polar Graph



ALDI4-5432L-5CCT-BLK (100% Down / 0% Up)

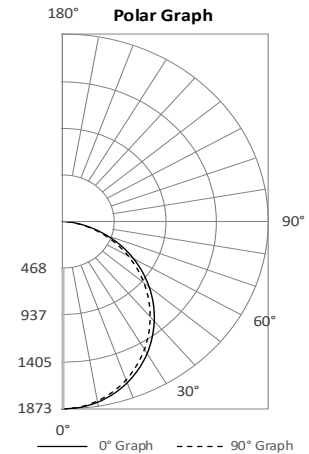
Luminaire Data

| | |
|-----------------------------|---|
| Description | 4' Linear direct/indirect Lumen/kelvin select |
| Total Lumens | 4,903 |
| Input Wattage | 42 |
| Efficacy (lm/W) | 117 |
| Spacing Criterion (0-180°) | 1.22 |
| Spacing Criterion (90-270°) | 1.18 |

Photometric based on 2700k and highest lumen setting

Zonal Lumen Summary

| Zone | Lumens | %Fixt | Zone | Lumens | %Fixt |
|--------|--------|--------|----------|--------|--------|
| 0-20° | 677 | 13.8% | 60-80° | 889 | 18.1% |
| 0-30° | 1,418 | 28.9% | 70-80° | 320 | 6.5% |
| 0-40° | 2,287 | 46.6% | 80-90° | 85 | 1.7% |
| 0-60° | 3,929 | 80.1% | 90-110° | 0 | 0.0% |
| 0-80° | 4,818 | 98.3% | 90-120° | 0 | 0.0% |
| 0-90° | 4,903 | 100.0% | 90-130° | 0 | 0.0% |
| 10-90° | 4,726 | 96.4% | 90-150° | 0 | 0.0% |
| 20-40° | 1,610 | 32.8% | 90-180° | 0 | 0.0% |
| 20-50° | 2,485 | 50.7% | 110-180° | 0 | 0.0% |
| 40-70° | 2,212 | 45.1% | 0-180° | 4,903 | 100.0% |



ALDI4-5432L-5CCT-BLK (70% Down / 30% Up)

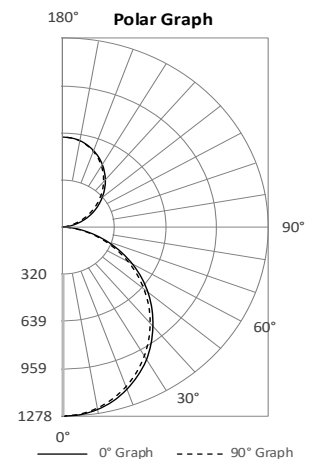
Luminaire Data

| | |
|-----------------------------|---|
| Description | 4' Linear direct/indirect Lumen/kelvin select |
| Total Lumens | 4,842 |
| Input Wattage | 42 |
| Efficacy (lm/W) | 115 |
| Spacing Criterion (0-180°) | 1.22 |
| Spacing Criterion (90-270°) | 1.18 |

Photometric based on 2700k and highest lumen setting

Zonal Lumen Summary

| Zone | Lumens | %Fixt | Zone | Lumens | %Fixt |
|--------|--------|-------|----------|--------|--------|
| 0-20° | 462 | 9.5% | 60-80° | 605 | 12.5% |
| 0-30° | 968 | 20.0% | 70-80° | 217 | 4.5% |
| 0-40° | 1,560 | 32.2% | 80-90° | 56 | 1.2% |
| 0-60° | 2,680 | 55.4% | 90-110° | 89 | 1.8% |
| 0-80° | 3,285 | 67.8% | 90-120° | 255 | 5.3% |
| 0-90° | 3,342 | 69.0% | 90-130° | 490 | 10.1% |
| 10-90° | 3,221 | 66.5% | 90-150° | 1,043 | 21.5% |
| 20-40° | 1,098 | 22.7% | 90-180° | 1,500 | 31.0% |
| 20-50° | 1,695 | 35.0% | 110-180° | 1,411 | 29.1% |
| 40-70° | 1,508 | 31.1% | 0-180° | 4,842 | 100.0% |



ALDI4-5432L-5CCT-BLK (50% Down / 50% Up)

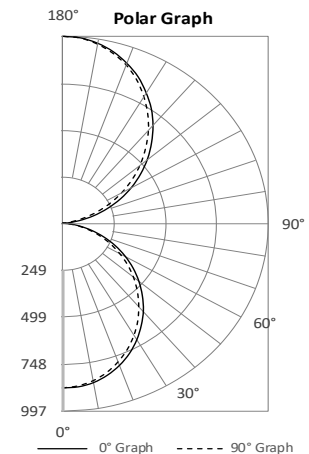
Luminaire Data

| | |
|-----------------------------|---|
| Description | 4' Linear direct/indirect Lumen/kelvin select |
| Total Lumens | 4,761 |
| Input Wattage | 42 |
| Efficacy (lm/W) | 112 |
| Spacing Criterion (0-180°) | N.A. |
| Spacing Criterion (90-270°) | N.A. |

Photometric based on 2700k and highest lumen setting

Zonal Lumen Summary

| Zone | Lumens | %Fixt | Zone | Lumens | %Fixt |
|--------|--------|-------|----------|--------|--------|
| 0-20° | 317 | 6.7% | 60-80° | 414 | 8.7% |
| 0-30° | 664 | 14.0% | 70-80° | 148 | 3.1% |
| 0-40° | 1,071 | 22.5% | 80-90° | 38 | 0.8% |
| 0-60° | 1,839 | 38.6% | 90-110° | 150 | 3.1% |
| 0-80° | 2,252 | 47.3% | 90-120° | 424 | 8.9% |
| 0-90° | 2,290 | 48.1% | 90-130° | 812 | 17.1% |
| 10-90° | 2,207 | 46.4% | 90-150° | 1,720 | 36.1% |
| 20-40° | 754 | 15.8% | 90-180° | 2,471 | 51.9% |
| 20-50° | 1,163 | 24.4% | 110-180° | 2,322 | 48.8% |
| 40-70° | 1,033 | 21.7% | 0-180° | 4,761 | 100.0% |





Warranty

Americanlite® is pleased to provide a 5 year limited warranty covering the fixtures and lamps in this catalogue. Americanlite® warrants that the fixtures comply with Americanlite®'s published specifications and are free from defects in materials and workmanship.

All our equipment is CE, TUV, FCC or UL approved and manufactured with approved components. Americanlite® reserves the right to change or improve the design or components of any of its products due to parts availability or changes in standards, without assuming any obligation to modify any product previously manufactured and without notice. All equipment is tested and inspected before shipment.

This warranty is void if the product is operated outside of its normal operating conditions. The foregoing warranty does not apply to failures caused by acts of God or as a result of any abuse, misuse, abnormal use, or use in violation of any applicable standard, code or instructions for use in installations, including, but not limited to, those contained in the Standards for the International Electrotechnical Commission. Americanlite® reserves and has the right to examine failed ballast to determine the cause of failure, excessive lumen depreciation and patterns of usage.