



Downlite™ Series

UL Downlights

americanlite®
We light your world™



DMR™ Series

2"



The DMR™ Series is a Round Specification-Grade downlight, with a minimalist 2" aperture that combines optical performance and control for architectural applications.

DMR™ Series is at the pinnacle of where lighting innovation meets design and efficiency. A high-performance serviceable integrated LED with a state-of-the-art light engine delivers incredible maintenance-free optics and performance ideal for high-end residential and commercial applications.

The DMR™ Series Features a unique "canless" design. Computer designed smooth reflector, creates more uniform light with fewer downlights without worrying about glare or distractions. DMR™ Series optic system offers a comfortable, soothing light, achieving uncompromising illumination with a true 36° Beam and CRI>90. The Led power, optical chamber (made of die cast aluminum), and driver compartment work together in harmony to create a thermal management system in a single compact unit. Secure trim retention with two side-mounted spring clips for easy installation in plaster, sheet rock, or plywood ceilings.

DMR™ Series is the ideal specification grade downlighting for remodel or new construction projects. It delivers exceptional visual comfort and optical control, extraordinary mechanical precision, installation efficiency and future proofing. Designed for optimal life and lumen maintenance, DMR™ Series is the perfect balance of visual comfort and quality of light.



LM79

LM80

CCT
27K-5K

Lumens
Up to
77 lxw

CRI
>90

36°
Beam Angle

VOLTS
120-277

PF
>0.93

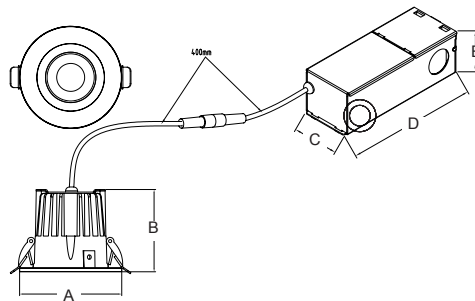
THD
<20%

-20°C~40°C

50,000

5 YEAR
Warranty

Dimensions (mm)



| Power | Size | A | B | C | D | E |
|-------|------|----|----|----|-----|----|
| 7w | 2" | 80 | 65 | 48 | 124 | 40 |

Ordering information

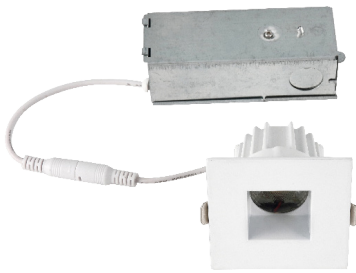
| Item | Power | Size | CCT | Lumens | Battery Pack Options |
|----------|-------|------|-------|--------|-----------------------|
| AL582442 | 7w | 2" | 2700K | 500 | E1 4w AL585005 |
| AL582443 | 7w | 2" | 3000K | 510 | |
| AL582444 | 7w | 2" | 4000K | 525 | |
| AL582445 | 7w | 2" | 5000K | 540 | |

Packing information

| Model | CBM (Master) | Pieces per master | Box Dimensions (CM) | Gross weight (KGS) |
|-------|--------------|-------------------|---------------------|--------------------|
| 7w | 0.0587 | 24 | 62.5 x 47 x 20 | 10 |

DMS™ Series

2"



The DMS™ Series is a Square Specification-Grade downlight, with a minimalist 2" aperture that combines optical performance and control for architectural applications.

DMS™ Series is at the pinnacle of where lighting innovation meets design and efficiency. A high-performance serviceable integrated LED with a state-of-the-art light engine delivers incredible maintenance-free optics and performance ideal for high-end residential and commercial applications.

The DMS™ Series Features a unique "canless" design. Computer designed smooth reflector, creates more uniform light with fewer downlights without worrying about glare or distractions. DMS™ Series optic system offers a comfortable, soothing light, achieving uncompromising illumination with a true 36° Beam and CRI>90. The Led power, optical chamber (made of die cast aluminum), and driver compartment work together in harmony to create a thermal management system in a single compact unit. Secure trim retention with two side-mounted spring clips for easy installation in plaster, sheet rock, or plywood ceilings.

DMS™ Series is the ideal specification grade downlighting for remodel or new construction projects. It delivers exceptional visual comfort and optical control, extraordinary mechanical precision, installation efficiency and future proofing. Designed for optimal life and lumen maintenance, DMS™ Series is the perfect balance of visual comfort and quality of light.



LM79

LM80

CCT
27K-5K

Lumens
Up to
65 lxw

CRI
>90

36°
Beam Angle

VOLTS
120-277

PF
>0.93

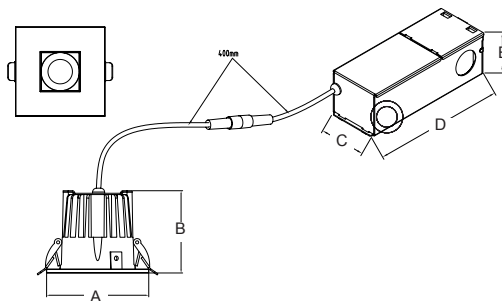
THD
<20%

-20°C~40°C

50,000

5 YEAR
Warranty

Dimensions (mm)



| Power | Size | A | B | C | D | E |
|-------|------|----|----|----|-----|----|
| 7w | 2" | 80 | 65 | 48 | 124 | 40 |

Ordering information

| Item | Power | Size | CCT | Lumens | Battery Pack Options |
|----------|-------|------|-------|--------|----------------------|
| AL582446 | 7w | 2" | 2700K | 430 | E1 4w AL585005 |
| AL582447 | 7w | 2" | 3000K | 440 | |
| AL582448 | 7w | 2" | 4000K | 450 | |
| AL582449 | 7w | 2" | 5000K | 460 | |

Packing information

| Model | CBM (Master) | Pieces per master | Box Dimensions (CM) | Gross weight (KGS) |
|-------|--------------|-------------------|---------------------|--------------------|
| 7w | 0.0587 | 24 | 62.5 x 47 x 20 | 10 |

DXP4™ Series

4"



The DXP4™ Series is a Round 4" residential / commercial grade LED recessed downlight with cutting edge DOB led technology that eliminates the need for drivers, resulting in a more stable and powerful fixture, with stunning lifetime up to 50,000 hours, and power factor >90%.

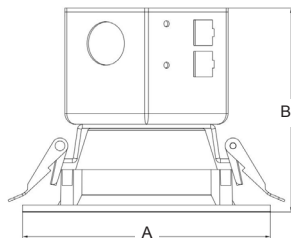
The DXP4™ Series downlights feature a unique "canless" design. These all-in-one LED fixtures include an integrated junction box for direct wiring, require no tools and take less than 1/3 of the time to install versus a conventional fixture with can. Secure trim retention with two side-mounted spring clips for easy installation in plaster, sheet rock, or plywood ceilings.

The DXP4™ Series computer designed baffle reflector, creates more uniform light with fewer downlights without worrying about glare or distractions. DXP4™ Series optic system offers a comfortable, soothing light, achieving uncompromising illumination with a true 102° Beam and CRI>90. The optic chamber, made of heavy-duty PC ensures maximum heat dissipation.

DXP4™ Series features 120v & TRIAC dimming, to add versatility and control. DOB technology, led power, and housing work together in harmony to create a thermal management system in a single compact unit. DXP4™ Series are IC Rated and comply with National Electrical Code (NEC), ETL, Energy Star and Title 24 approved.

DXP4™ Series is the ideal specification grade downlighting for remodel or new construction projects. It delivers exceptional visual comfort and optical control, extraordinary mechanical precision, installation efficiency and future proofing. Designed for optimal life and lumen maintenance, DXP4™ Series is perfect balance of visual comfort and quality of light.

Dimensions (mm)



| Power | Size | A | B | Cut out |
|-------|------|-----|-----|---------|
| 10w | 4" | 126 | 104 | 110 |

Ordering information

| Item | Power | Size | CCT | Lumens |
|----------|-------|------|-------|--------|
| AL582516 | 10w | 4" | 2700K | 600 |
| AL582517 | 10w | 4" | 3000K | 650 |
| AL582518 | 10w | 4" | 4000K | 700 |
| AL582519 | 10w | 4" | 5000K | 750 |

Packing information

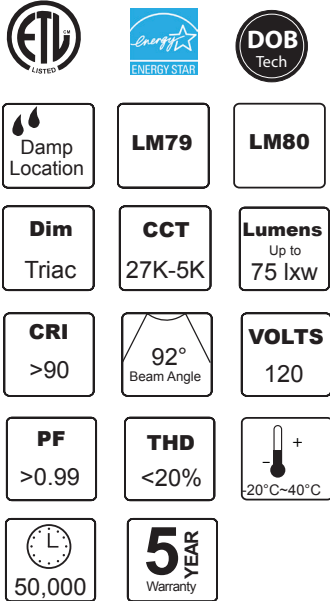
| Model | CBM (Master) | Pieces per master | Box Dimensions (CM) | Gross weight (KGS) |
|-------|--------------|-------------------|---------------------|--------------------|
| 10w | 0.0275 | 12 | 34.5 x 28 x 28.5 | 7 |

DXP4s™ Series

4"



The DXP4s™ Series is a Square 4" residential / commercial grade LED recessed downlight with cutting edge DOB led technology that eliminates the need for drivers, resulting in a more stable and powerful fixture, with stunning lifetime up to 50,000 hours, and power factor >90%.



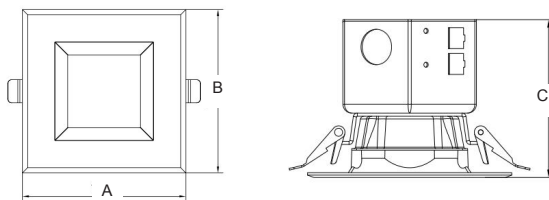
The DXP4s™ Series downlights feature a unique “canless” design. These all-in-one LED fixtures include an integrated junction box for direct wiring, require no tools and take less than 1/3 of the time to install versus a conventional fixture with can. Secure trim retention with two side-mounted spring clips for easy installation in plaster, sheet rock, or plywood ceilings.

The DXP4s™ Series computer designed baffle reflector, creates more uniform light with fewer downlights without worrying about glare or distractions. DXP4s™ Series optic system offers a comfortable, soothing light, achieving uncompromising illumination with a true 92° Beam and CRI>90. The optic chamber, made of heavy-duty PC ensures maximum heat dissipation.

DXP4s™ Series features 120v & TRIAC dimming, to add versatility and control. DOB technology, led power, and housing work together in harmony to create a thermal management system in a single compact unit. DXP4s™ Series are IC Rated and comply with National Electrical Code (NEC), ETL, Energy Star and Title 24 approved.

DXP4s™ Series is the ideal specification grade downlighting for remodel or new construction projects. It delivers exceptional visual comfort and optical control, extraordinary mechanical precision, installation efficiency and future proofing. Designed for optimal life and lumen maintenance, DXP4s™ Series is perfect balance of visual comfort and quality of light.

Dimensions (mm)



| Power | Size | A | B | C | Cut out |
|-------|------|-----|-----|----|---------|
| 10w | 4" | 127 | 127 | 98 | 110 |

Ordering information

| Item | Power | Size | CCT | Lumens |
|----------|-------|------|-------|--------|
| AL582520 | 10w | 4" | 2700K | 600 |
| AL582521 | 10w | 4" | 3000K | 650 |
| AL582522 | 10w | 4" | 4000K | 700 |
| AL582523 | 10w | 4" | 5000K | 750 |

Packing information

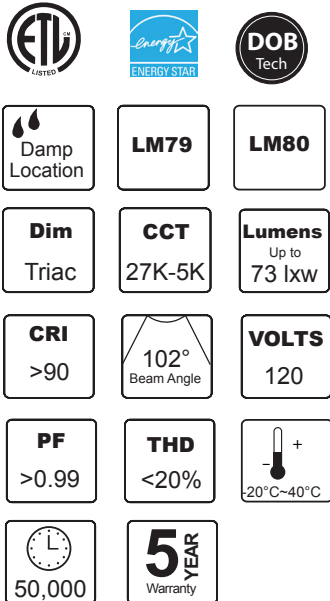
| Model | CBM (Master) | Pieces per master | Box Dimensions (CM) | Gross weight (KGS) |
|-------|--------------|-------------------|---------------------|--------------------|
| 10w | 0.0312 | 12 | 36 x 30.5 x 28.5 | 7.5 |

DXP6™ Series

6"



The DXP6™ Series is a Round 4" residential / commercial grade LED recessed downlight with cutting edge DOB led technology that eliminates the need for drivers, resulting in a more stable and powerful fixture, with stunning lifetime up to 50,000 hours, and power factor >90%.



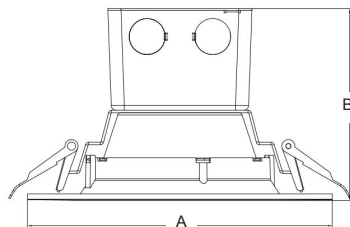
The DXP6™ Series downlights feature a unique “canless” design. These all-in-one LED fixtures include an integrated junction box for direct wiring, require no tools and take less than 1/3 of the time to install versus a conventional fixture with can. Secure trim retention with two side-mounted spring clips for easy installation in plaster, sheet rock, or plywood ceilings.

The DXP6™ Series computer designed baffle reflector, creates more uniform light with fewer downlights without worrying about glare or distractions. DXP6™ Series optic system offers a comfortable, soothing light, achieving uncompromising illumination with a true 102° Beam and CRI>90. The optic chamber, made of heavy-duty PC ensures maximum heat dissipation.

DXP6™ Series features 120v & TRIAC dimming, to add versatility and control. DOB technology, led power, and housing work together in harmony to create a thermal management system in a single compact unit. DXP6™ Series are IC Rated and comply with National Electrical Code (NEC), ETL, Energy Star and Title 24 approved.

DXP6™ Series is the ideal specification grade downlighting for remodel or new construction projects. It delivers exceptional visual comfort and optical control, extraordinary mechanical precision, installation efficiency and future proofing. Designed for optimal life and lumen maintenance, DXP6™ Series is perfect balance of visual comfort and quality of light.

Dimensions (mm)



| Power | Size | A | B | Cut out |
|-------|------|-----|----|---------|
| 15w | 10" | 186 | 84 | 165 |

Ordering information

| Item | Power | Size | CCT | Lumens |
|----------|-------|------|-------|--------|
| AL582524 | 15w | 6" | 2700K | 950 |
| AL582525 | 15w | 6" | 3000K | 1000 |
| AL582526 | 15w | 6" | 4000K | 1050 |
| AL582527 | 15w | 6" | 5000K | 1100 |

Packing information

| Model | CBM (Master) | Pieces per master | Box Dimensions (CM) | Gross weight (KGS) |
|-------|--------------|-------------------|---------------------|--------------------|
| 15w | 0.0462 | 12 | 41 x 27.5 x 41 | 8 |

DXP6s™ Series

6"



The DXP6s™ Series is a Square 6" residential / commercial grade LED recessed downlight with cutting edge DOB led technology that eliminates the need for drivers, resulting in a more stable and powerful fixture, with stunning lifetime up to 50,000 hours, and power factor >90%.

The DXP6s™ Series downlights feature a unique "canless" design. These all-in-one LED fixtures include an integrated junction box for direct wiring, require no tools and take less than 1/3 of the time to install versus a conventional fixture with can. Secure trim retention with two side-mounted spring clips for easy installation in plaster, sheet rock, or plywood ceilings.

The DXP6s™ Series computer designed baffle reflector, creates more uniform light with fewer downlights without worrying about glare or distractions. DXP6s™ Series optic system offers a comfortable, soothing light, achieving uncompromising illumination with a true 92° Beam and CRI>90. The optic chamber, made of heavy-duty PC ensures maximum heat dissipation.

DXP6s™ Series features 120v & TRIAC dimming, to add versatility and control. DOB technology, led power, and housing work together in harmony to create a thermal management system in a single compact unit. DXP6s™ Series are IC Rated and comply with National Electrical Code (NEC), ETL, Energy Star and Title 24 approved.

DXP6s™ Series is the ideal specification grade downlighting for remodel or new construction projects. It delivers exceptional visual comfort and optical control, extraordinary mechanical precision, installation efficiency and future proofing. Designed for optimal life and lumen maintenance, DXP6s™ Series is perfect balance of visual comfort and quality of light.

Damp Location

LM79

LM80

Dim Triac

CCT 27K-5K

Lumens Up to 73 lxw

CRI >90

92° Beam Angle

VOLTS 120

PF >0.99

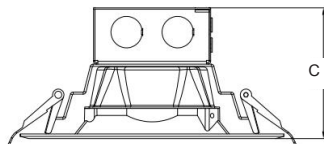
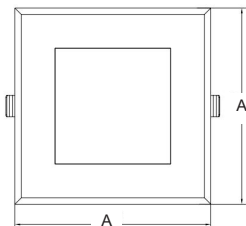
THD <20%

20°C~40°C

50,000

5 YEAR Warranty

Dimensions (mm)



| Power | Size | A | B | C | Cut out |
|-------|------|-----|-----|----|---------|
| 15w | 6" | 186 | 186 | 92 | 165 |

Ordering information

| Item | Power | Size | CCT | Lumens |
|----------|-------|------|-------|--------|
| AL582528 | 15w | 6" | 2700K | 950 |
| AL582529 | 15w | 6" | 3000K | 1000 |
| AL582530 | 15w | 6" | 4000K | 1050 |
| AL582531 | 15w | 6" | 5000K | 1100 |

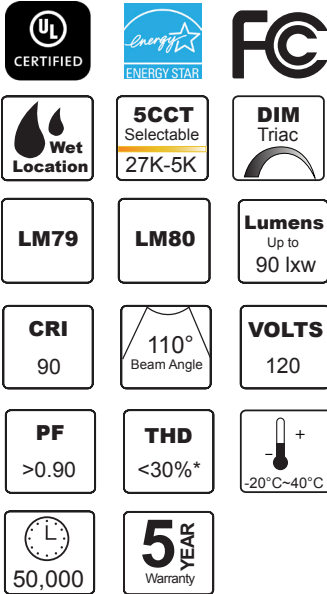
Packing information

| Model | CBM (Master) | Pieces per master | Box Dimensions (CM) | Gross weight (KGS) |
|-------|--------------|-------------------|---------------------|--------------------|
| 15w | 0.0646 | 12 | 42 x 38 x 40.5 | 10 |

DLR5C™ Series

CCT Selectable

3"/4"/6"/8"/12"



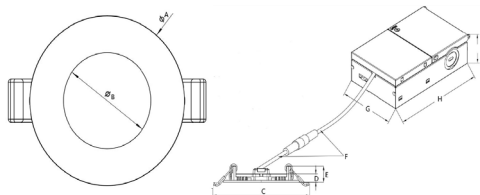
The DLR5C™ Series LED downlights with selectable CCT are ultra-thin recessed downlights ideal for shallow ceiling plenum applications. Quality, housing-free recessed downlighting is achieved with its narrow remote driver box. It features a switch for easy color temperature adjustment. The DLR5C™ Series fixtures are quick and simple to install from below the ceiling with as little as 3-inch plenum clearance.

Americanlite® innovative selectable 5-CCT feature incorporates a switch on each fixture for simple color temperature adjustment. Not 3.... but 5 different choices for every single application (2700-3000-3500-4000-5000K). Too warm or too cool? Simply toggle the integrated switch to your desired setting and you are done! Whatever your application, the DLR5C™ Series luminaires are sure to give you the feel and flexibility that you need. More flexibility? DLR5C Series™ fixtures are dimmable (Triac) 10-100%.

The DLR5C™ Series slim design allows for easy retrofit, remodel or new construction installation from below the ceiling as the perfect choice when you have joists or duct work in the way. They are wet location listed, making them ideal for use in a breadth of outdoor residential, hospitality, light commercial and multi-family applications.

The DLR5C™ Series is the ideal specification-grade architectural downlighting. It delivers exceptional visual comfort and optical control, extraordinary mechanical precision, installation efficiency and future proofing.

Dimensions (mm)



| Power | Size | A | B | C | D | E | F | G | H | I |
|-------|------|-----|-------|-------|-----|------|-----|----|-----|----|
| 6w | 3" | 83 | 46.7 | 105 | 8.2 | 15.8 | 350 | 60 | 90 | 32 |
| 12w | 4" | 119 | 80 | 142 | 8.2 | 15.8 | 350 | 69 | 110 | 35 |
| 15w | 6" | 168 | 128.6 | 191.5 | 8.2 | 15.8 | 350 | 69 | 110 | 35 |
| 20w | 8" | 220 | 175 | 241.3 | 8.2 | 15.8 | 350 | 69 | 110 | 35 |
| 24w | 12" | 295 | 249 | 316.9 | 8.2 | 15.8 | 350 | 69 | 110 | 35 |

Ordering information

| Item | Power | Size | 2700K | 3000K | 3500K | 4000K | 5000K |
|----------|-------|------|---------|---------|---------|---------|---------|
| AL582140 | 6w | 3" | 420 lm | 450 lm | 480 lm | 458 lm | 436 lm |
| AL582141 | 12w | 4" | 780 lm | 960 lm | 960 lm | 902 lm | 856 lm |
| AL582142 | 15w | 6" | 1100 lm | 1200 lm | 1275 lm | 1205 lm | 1175 lm |
| AL582143 | 20w | 8" | 1600 lm | 1600 lm | 1700 lm | 1600 lm | 1560 lm |
| AL582144 | 24w | 12" | 1950 lm | 2080 lm | 2160 lm | 2090 lm | 2035 lm |

Notes

- Power and Lumen tolerance 10%
- *THD:
 - 3" 16.38%
 - 4" 14.21%
 - 6" 11.96%
 - 8" 28.56%
 - 12" 10.81%
- Switch ON/OFF = 114,000 times
- Working hours not to exceed more than 12hrs/day
- For indoor use only

Compatible Dimmers

| Lutron | | Leviton | |
|---------------|----------------|---------|--------|
| NT-1000 | CTCL-153PDH-WH | 6674 | 1F4205 |
| S-603P | SLV-600P-WH | 6633-P | 1A2305 |
| S-600P | DV-600P | 6683 | |
| CTCL-153P | CT-603PGH-WH | 6672 | |
| DVW-603PGH-WH | MIR-600THW-WH | IPL06 | |
| 4X603 | MACL-153M-WH | VP106 | |
| DVCL-163P-WH | S-600PR-WH | DB33K1 | |

Packing information

| Model | CBM (Master) | Pieces per master | Box Dimensions (CM) | Gross weight (KGS) |
|-------|--------------|-------------------|---------------------|--------------------|
| 3" | 0.0174 | 12 | 45.5 x 26.5 x 14.5 | 4.5 |
| 4" | 0.0174 | 12 | 45.5 x 26.5 x 14.5 | 5 |
| 6" | 0.0323 | 12 | 45.5 x 36.5 x 19.5 | 6 |
| 8" | 0.0449 | 12 | 51.5 x 35.6 x 24.5 | 6.8 |
| 12" | 0.0748 | 12 | 66.1 x 35.6 x 31.8 | 7.5 |

DLS5C™ Series

CCT Selectable

3"/4"/6"/8"/12"

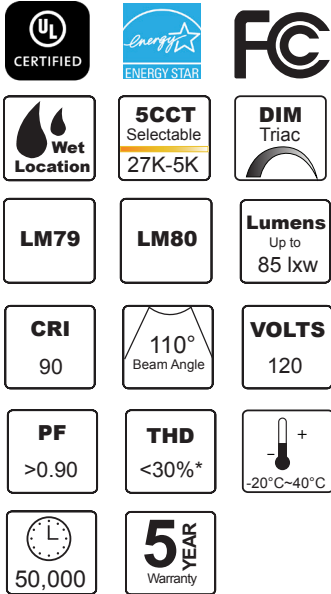


The DLS5C™ Series LED downlights with selectable CCT are ultra-thin recessed downlights ideal for shallow ceiling plenum applications. Quality, housing-free recessed downlighting is achieved with its narrow remote driver box. It features a switch for easy color temperature adjustment. The DLS5C™ Series fixtures are quick and simple to install from below the ceiling with as little as 3-inch plenum clearance.

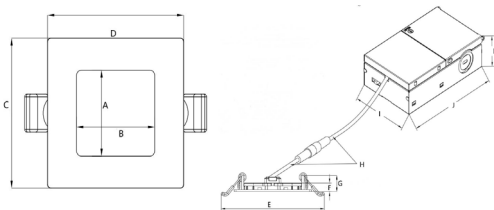
Americanlite® innovative selectable 5-CCT feature incorporates a switch on each fixture for simple color temperature adjustment. Not 3.... but 5 different choices for every single application (2700-3000-3500-4000-5000K). Too warm or too cool? Simply toggle the integrated switch to your desired setting and you are done! Whatever your application, the DLS5C™ Series luminaires are sure to give you the feel and flexibility that you need. More flexibility? DLS5C Series™ fixtures are dimmable (Triac) 10-100%.

The DLS5C™ Series slim design allows for easy retrofit, remodel or new construction installation from below the ceiling as the perfect choice when you have joists or duct work in the way. They are wet location listed, making them ideal for use in a breadth of outdoor residential, hospitality, light commercial and multi-family applications.

The DLS5C™ Series is the ideal specification-grade architectural downlighting. It delivers exceptional visual comfort and optical control, extraordinary mechanical precision, installation efficiency and future proofing.



Dimensions (mm)



| Power | Size | A | B | C | D | E | F | G | H | I | J | K |
|-------|------|-----|-----|-------|-------|-------|-----|------|-----|----|-----|----|
| 6w | 3" | 48 | 48 | 83 | 83 | 110.5 | 8.1 | 15.2 | 350 | 90 | 90 | 32 |
| 12w | 4" | 78 | 78 | 118 | 118 | 142 | 8.1 | 15.2 | 350 | 90 | 110 | 35 |
| 15w | 6" | 126 | 126 | 167 | 167 | 191.1 | 8.1 | 15.2 | 350 | 90 | 110 | 35 |
| 20w | 8" | 174 | 174 | 220 | 220 | 241.2 | 8.1 | 15.2 | 350 | 90 | 110 | 35 |
| 24w | 12" | 245 | 245 | 293.3 | 293.3 | 313 | 8.1 | 15.2 | 350 | 90 | 110 | 35 |

Ordering information

| Item | Power | Size | 2700K | 3000K | 3500K | 4000K | 5000K |
|----------|-------|------|---------|---------|---------|---------|---------|
| AL582145 | 6w | 3" | 420 lm | 430 lm | 460 lm | 438 lm | 430 lm |
| AL582146 | 12w | 4" | 750 lm | 840 lm | 860 lm | 830 lm | 810 lm |
| AL582147 | 15w | 6" | 1050 lm | 1125 lm | 1235 lm | 1135 lm | 1095 lm |
| AL582148 | 20w | 8" | 1550 lm | 1600 lm | 1700 lm | 1600 lm | 1560 lm |
| AL582149 | 24w | 12" | 1900 lm | 1940 lm | 2040 lm | 1990 lm | 1970 lm |

Notes

- Power and Lumen tolerance 10%
- *THD:
 - 3" 16.38%
 - 4" 14.21%
 - 6" 11.96%
 - 8" 28.56%
 - 12" 10.81%
- Switch ON/OFF = 114,000 times
- Working hours not to exceed more than 12hrs/day
- For indoor use only

Compatible Dimmers

| Lutron | | Leviton | |
|---------------|----------------|---------|--------|
| NT-1000 | CTCL-153PDH-WH | 6674 | 1F4205 |
| S-603P | SLV-600P-WH | 6633-P | 1A2305 |
| S-600P | DV-600P | 6683 | |
| CTCL-153P | CT-603PGH-WH | 6672 | |
| DVW-603PGH-WH | MIR-600THW-WH | IPL06 | |
| 4X603 | MACL-153M-WH | VP106 | |
| DVCL-163P-WH | S-600PR-WH | DB3K1 | |

Packing information

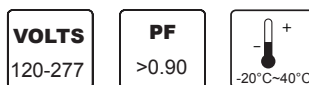
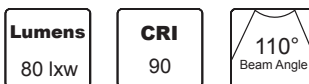
| Model | CBM (Master) | Pieces per master | Box Dimensions (CM) | Gross weight (KGS) |
|-------|--------------|-------------------|---------------------|--------------------|
| 3" | 0.0174 | 12 | 45.5 x 26.5 x 14.5 | 4.5 |
| 4" | 0.0174 | 12 | 45.5 x 26.5 x 14.5 | 5 |
| 6" | 0.0323 | 12 | 45.5 x 36.5 x 19.5 | 6 |
| 8" | 0.0449 | 12 | 51.5 x 35.6 x 24.5 | 6.8 |
| 12" | 0.0748 | 12 | 66.1 x 35.6 x 31.8 | 7.5 |



DL5CX™ Series

CCT & Power Selectable

3"/4"/6"/8"/12"



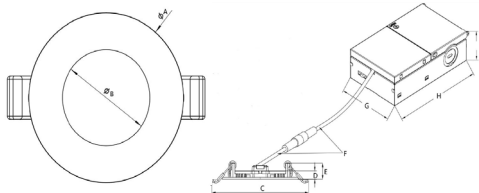
The DL5CX™ Series LED downlights with Power & CCT Selectable are ultra-thin recessed downlights ideal for shallow ceiling plenum applications. Quality, housing-free recessed downlighting is achieved with its narrow remote driver box. It features a switch for easy color temperature adjustment. The DL5CX™ Series fixtures are quick and simple to install from below the ceiling with as little as 3-inch plenum clearance.

Americanlite® innovative Power & CCT Selectable feature incorporates a switch on each fixture for simple power & color temperature adjustment. Not 3.... but 5 different CCT choices for every single application (2700-3000-3500-4000-5000K) and 3 different wattages. Too warm or too cool? too bright? Simply toggle the integrated switches to your desired setting and you are done! Whatever your application, the DL5CX™ Series luminaires are sure to give you the feel and flexibility that you need. More flexibility? DL5CX™ Series™ fixtures are dimmable 0-10V driver withing a 120-277v range.

The DL5CX™ Series slim design allows for easy retrofit, remodel or new construction installation from below the ceiling as the perfect choice when you have joists or duct work in the way. They are wet location listed, making them ideal for use in a breadth of outdoor residential, hospitality, light commercial and multi-family applications.

The DL5CX™ Series is the ideal specification-grade architectural downlighting. It delivers exceptional visual comfort and optical control, extraordinary mechanical precision, installation efficiency and future proofing.

Dimensions (mm)



| Power | Size | A | B | C | D | E | F | G | H | I |
|-------|------|-----|-------|-------|-----|------|-----|----|-----|----|
| 6w | 3" | 83 | 46.7 | 105 | 8.2 | 15.8 | 350 | 60 | 90 | 32 |
| 12w | 4" | 119 | 80 | 142 | 8.2 | 15.8 | 350 | 69 | 110 | 35 |
| 15w | 6" | 168 | 128.6 | 191.5 | 8.2 | 15.8 | 350 | 69 | 110 | 35 |
| 20w | 8" | 220 | 175 | 241.3 | 8.2 | 15.8 | 350 | 69 | 110 | 35 |
| 24w | 12" | 295 | 249 | 316.9 | 8.2 | 15.8 | 350 | 69 | 110 | 35 |

Ordering information

| Item | Power | Size | 2700K | 3000K | 3500K | 4000K | 5000K |
|----------|-------|------|---------|---------|---------|---------|---------|
| AL582790 | 8w | 3" | 560 lm | 560 lm | 560 lm | 560 lm | 560 lm |
| | 6w | | 420 lm | 420 lm | 420 lm | 420 lm | |
| | 4w | | 280 lm | 280lm | 280 lm | 280 lm | |
| AL582791 | 12w | 4" | 960 lm | 960 lm | 960 lm | 960 lm | 960 lm |
| | 8w | | 640 lm | 640 lm | 640 lm | 640 lm | |
| | 4w | | 320 lm | 320 lm | 320 lm | 320 lm | |
| AL582792 | 15w | 6" | 1200 lm | 1200 lm | 1200 lm | 1200 lm | 1200 lm |
| | 10w | | 800 lm | 800 lm | 800 lm | 800 lm | |
| | 5w | | 400 lm | 400 lm | 400 lm | 400 lm | |
| AL582793 | 20w | 8" | 1600 lm | 1600 lm | 1600 lm | 1600 lm | 1600 lm |
| | 14w | | 1120 lm | 1120 lm | 1120 lm | 1120 lm | |
| | 10w | | 800 lm | 800 lm | 800 lm | 800 lm | |
| AL582794 | 24w | 12" | 1920 lm | 1920 lm | 1920 lm | 1920 lm | 1920 lm |
| | 16w | | 1280 lm | 1280 lm | 1280 lm | 1280 lm | |
| | 8w | | 640 lm | 640 lm | 640 lm | 640 lm | |

Notes

- Power and Lumen tolerance 10%
- AL582790= 70 lxw
- Working hours not to exceed more than 12hrs/day
- For indoor use only

Packing information

| Model | CBM (Master) | Pieces per master | Box Dimensions (CM) | Gross weight (KGS) |
|-------|--------------|-------------------|---------------------|--------------------|
| 3" | 0.0174 | 12 | 45.5 x 26.5 x 14.5 | 4.5 |
| 4" | 0.0174 | 12 | 45.5 x 26.5 x 14.5 | 5 |
| 6" | 0.0323 | 12 | 45.5 x 36.5 x 19.5 | 6 |
| 8" | 0.0449 | 12 | 51.5 x 35.6 x 24.5 | 6.8 |
| 12" | 0.0748 | 12 | 66.1 x 35.6 x 31.8 | 7.5 |

DLX Max™ Series Lumen Selectable

3"/4"/6"/8"



The DLX Max™ Series LED downlights with lumen selectable are Architectural Specification-Grade, recessed downlights ideal for professional applications. Quality, housing-free recessed downlighting is achieved with its narrow remote driver box. It features a switch for easy lumen adjustment. The DLX Max™ Series fixtures are quick and simple to install from below the ceiling.

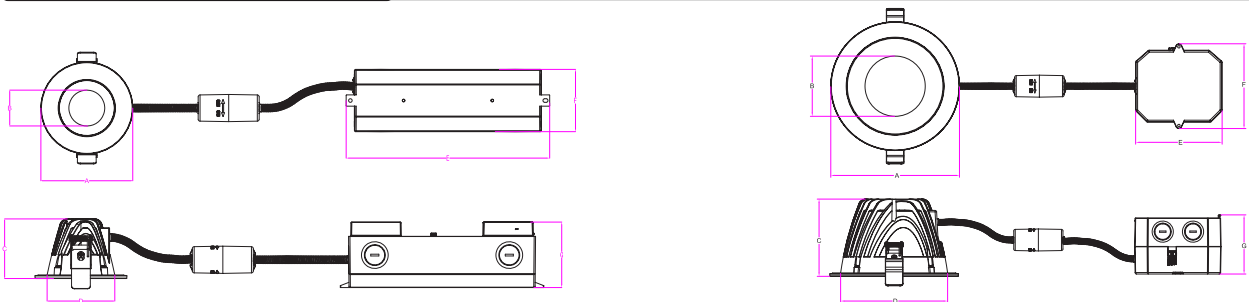
Americanlite® innovative lumen selectable feature incorporates a switch on each fixture for simple lumen (power) adjustment; 3 different choices for every single application. Too bright or too dark? Simply toggle the integrated switch to your desired setting and you are done! Whatever your application, the DLX Max™ Series luminaires are sure to give you the feel and flexibility that you need. More flexibility? DLX Max™ Series fixtures are dimmable 0-100%.

All components in DLX Max™ Series are top of the line. Every detail has been taken care of for a premium performance. DLX Max™ luminaires offer a lower splay recesses optical system into the ceiling to prevent glare and provide a professional look. Rugged one-piece die-cast aluminum heat sink design for optimal thermal management. Wet location rated lens is tightly fitted to the housing to reduce the ingress of dust. White PC Reflector provides glare free illumination with excellent light control. A patented micro prism lens and a stunning CRI 90 will bring true colors, completing your project to a high-end profile.

The DLX Max™ Series is the ideal Architectural Specification-Grade downlighting. It delivers exceptional visual comfort and optical control, extraordinary mechanical precision, installation efficiency and future proofing.

| | | |
|--------------------------------|----------------------|-----------------------------|
| | | |
| | CCT 27K-5K | Lumen Selectable |
| | LM79 | LM80 |
| Lumens Up to 112 lxw | CRI 80 | 40°-70° Beam Angle |
| VOLTS 120-277 | PF >0.90 | THD <20% |
| -20°C~40°C | 50,000 | 5 YEAR Warranty |

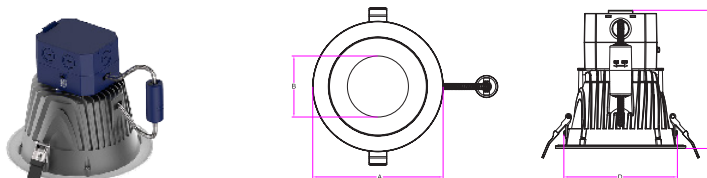
Dimensions (mm)



| Power | Size | Cut Out | | | | | | |
|-------------|------|---------|----|------|-----|-----|------|----|
| | | A | B | C | D | E | F | G |
| 4w/5w/6w | 3" | 98 | 27 | 63.3 | 80 | 217 | 66.5 | 70 |
| 7w/9w/10.5w | 4" | 120 | 50 | 73 | 100 | 217 | 66.5 | 70 |

| Power | Size | Cut Out | | | | | | |
|-------------|------|---------|-----|-----|-----|-----|-----|----|
| | | A | B | C | D | E | F | G |
| 8w/10w/12w | 6" | 170 | 80 | 102 | 152 | 114 | 112 | 78 |
| 12w/14w/16w | 6" | 170 | 80 | 102 | 152 | 114 | 112 | 78 |
| 11w/16w/21w | 8" | 230 | 121 | 126 | 205 | 114 | 112 | 78 |
| 31w/41w/51w | 8" | 230 | 121 | 126 | 205 | 114 | 112 | 78 |

With box installed on top of downlight (6" and 8" only)



| Size | A | B | C | D (Cut Out) |
|------|-----|-----|-----|-------------|
| 6" | 170 | 80 | 180 | 152 |
| 8" | 230 | 121 | 204 | 205 |

Ordering information

| Item | Power | Size | CCT | Lumens | Battery Pack Options |
|----------|-------------|------|-------|----------------|----------------------------------|
| AL582462 | 4w/5w/6w | 3" | 2700K | 400/510/570 | E1 4w AL585005 E2 8w AL585008 |
| AL582463 | 4w/5w/6w | 3" | 3000K | 400/510/570 | |
| AL582464 | 4w/5w/6w | 3" | 3500K | 400/510/570 | |
| AL582465 | 4w/5w/6w | 3" | 4000K | 400/510/570 | |
| AL582466 | 4w/5w/6w | 3" | 5000K | 400/510/570 | |
| AL582467 | 7w/9w/10.5w | 4" | 2700K | 690/860/1030 | |
| AL582468 | 7w/9w/10.5w | 4" | 3000K | 690/860/1030 | |
| AL582469 | 7w/9w/10.5w | 4" | 3500K | 690/860/1030 | |
| AL582470 | 7w/9w/10.5w | 4" | 4000K | 690/860/1030 | |
| AL582471 | 7w/9w/10.5w | 4" | 5000K | 690/860/1030 | |
| AL582472 | 8w/10w/12w | 6" | 2700K | 800/1030/1260 | |
| AL582473 | 8w/10w/12w | 6" | 3000K | 800/1030/1260 | |
| AL582474 | 8w/10w/12w | 6" | 3500K | 800/1030/1260 | |
| AL582475 | 8w/10w/12w | 6" | 4000K | 800/1030/1260 | |
| AL582476 | 8w/10w/12w | 6" | 5000K | 800/1030/1260 | |
| AL582477 | 12w/14w/16w | 6" | 3000K | 1260/1500/1700 | |
| AL582478 | 12w/14w/16w | 6" | 3500K | 1260/1500/1700 | |
| AL582479 | 12w/14w/16w | 6" | 4000K | 1260/1500/1700 | |
| AL582480 | 12w/14w/16w | 6" | 5000K | 1260/1500/1700 | |
| AL582481 | 11w/16w/21w | 8" | 3000K | 1150/1720/2300 | |
| AL582482 | 11w/16w/21w | 8" | 3500K | 1150/1720/2300 | |
| AL582483 | 11w/16w/21w | 8" | 4000K | 1150/1720/2300 | |
| AL582484 | 11w/16w/21w | 8" | 5000K | 1150/1720/2300 | |
| AL582485 | 31w/41w/51w | 8" | 3000K | 3450/4600/5750 | |
| AL582486 | 31w/41w/51w | 8" | 3500K | 3450/4600/5750 | |
| AL582487 | 31w/41w/51w | 8" | 4000K | 3450/4600/5750 | |
| AL582488 | 31w/41w/51w | 8" | 5000K | 3450/4600/5750 | |

Note:

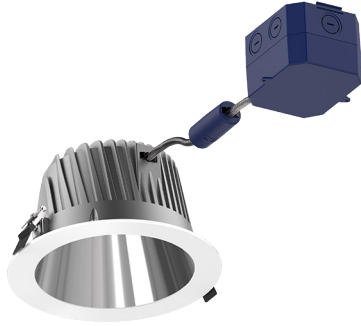
- 40° ± 10 Beam angle for 3"
- 60° ± 10 Beam angle for 4"
- 70° ± 10 Beam angle for 6" & 8"

Packing information

| Model | CBM (Master) | Pieces per master | Box Dimensions (CM) | Gross weight (KGS) |
|-------|--------------|-------------------|---------------------|--------------------|
| 3" | 0.0180 | 4 | 17.5 x 43.6 x 23.6 | 2.41 |
| 4" | 0.0231 | 4 | 19 x 46.6 x 26.2 | 2.68 |
| 6" | 0.0272 | 4 | 21.3 x 35.8 x 35.8 | 4.20 |
| 8" | 0.0523 | 4 | 23 x 47.7 x 47.7 | 6.60 |

DLX Max™ Series Lumen Selectable

3"/4"/6"/8"



The DLX Max™ Series LED downlights with lumen selectable are Architectural Specification-Grade, recessed downlights ideal for Professional applications. Quality, housing-free recessed downlighting is achieved with its narrow remote driver box. It features a switch for easy lumen adjustment. The DLX Max™ Series fixtures are quick and simple to install from below the ceiling.

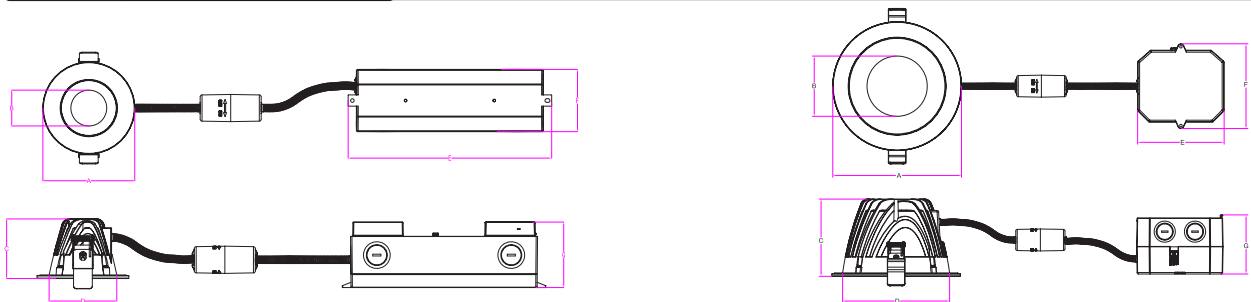
Americanlite® innovative lumen selectable feature incorporates a switch on each fixture for simple lumen (power) adjustment; 3 different choices for every single application. Too bright or too dark? Simply toggle the integrated switch to your desired setting and you are done! Whatever your application, the DLX Max™ Series luminaires are sure to give you the feel and flexibility that you need. More flexibility? DLX Max™ Series fixtures are dimmable 0-100%.

All components in DLX Max™ Series are top of the line, every detail has been taken care of for a premium performance. DLX Max™ luminaires offer a lower splay recesses optical system into the ceiling to prevent glare and provide a professional look. Rugged one-piece die-cast aluminum heat sink design for optimal thermal management. Wet location rated lens is tightly fitted to the housing to reduce the ingress of dust. Clear specular spun aluminum reflector provides glare free illumination with excellent light control. A patented micro prism lens and a stunning CRI 90 will bring true colors, completing your project to a high-end profile.

The DLX Max™ Series is the ideal Architectural Specification-Grade downlighting. It delivers exceptional visual comfort and optical control, extraordinary mechanical precision, installation efficiency and future proofing.

| | | |
|--------------------------------|----------------------|-----------------------------|
| | | |
| | CCT 27K-5K | Lumen Selectable |
| | LM79 | LM80 |
| Lumens Up to 103 lxw | CRI 80 | 40°-70° Beam Angle |
| VOLTS 120-277 | PF >0.90 | THD <20% |
| -20°C~40°C | 50,000 | 5 YEAR Warranty |

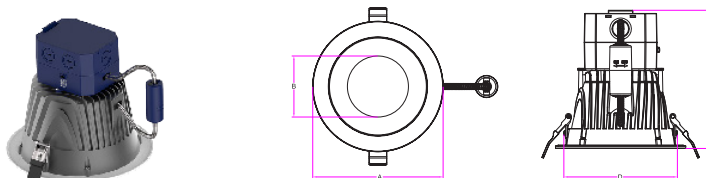
Dimensions (mm)



| Power | Size | Cut Out | | | | | | |
|-------------|------|---------|----|------|-----|-----|------|----|
| | | A | B | C | D | E | F | G |
| 4w/5w/6w | 3" | 98 | 27 | 63.3 | 80 | 217 | 66.5 | 70 |
| 7w/9w/10.5w | 4" | 120 | 50 | 73 | 100 | 217 | 66.5 | 70 |

| Power | Size | Cut Out | | | | | | |
|-------------|------|---------|-----|-----|-----|-----|-----|----|
| | | A | B | C | D | E | F | G |
| 8w/10w/12w | 6" | 170 | 80 | 102 | 152 | 114 | 112 | 78 |
| 12w/14w/16w | 6" | 170 | 80 | 102 | 152 | 114 | 112 | 78 |
| 11w/16w/21w | 8" | 230 | 121 | 126 | 205 | 114 | 112 | 78 |
| 31w/41w/51w | 8" | 230 | 121 | 126 | 205 | 114 | 112 | 78 |

With box installed on top of downlight (6" and 8" only)



| Size | A | B | C | D (Cut Out) |
|------|-----|-----|-----|-------------|
| 6" | 170 | 80 | 180 | 152 |
| 8" | 230 | 121 | 204 | 205 |

Ordering information

| Item | Power | Size | CCT | Lumens | Battery Pack Options |
|----------|-------------|------|-------|----------------|----------------------------------|
| AL582489 | 5w/6w/7w | 3" | 2700K | 360/470/520 | E1 4w AL585005 E2 8w AL585008 |
| AL582490 | 5w/6w/7w | 3" | 3000K | 360/470/520 | |
| AL582491 | 5w/6w/7w | 3" | 3500K | 360/470/520 | |
| AL582492 | 5w/6w/7w | 3" | 4000K | 360/470/520 | |
| AL582493 | 5w/6w/7w | 3" | 5000K | 360/470/520 | |
| AL582494 | 7w/9w/10.5w | 4" | 2700K | 630/790/940 | |
| AL582495 | 7w/9w/10.5w | 4" | 3000K | 630/790/940 | |
| AL582496 | 7w/9w/10.5w | 4" | 3500K | 630/790/940 | |
| AL582497 | 7w/9w/10.5w | 4" | 4000K | 630/790/940 | |
| AL582498 | 7w/9w/10.5w | 4" | 5000K | 630/790/940 | |
| AL582499 | 8w/10w/12w | 6" | 2700K | 730/940/1160 | |
| AL582500 | 8w/10w/12w | 6" | 3000K | 730/940/1160 | |
| AL582501 | 8w/10w/12w | 6" | 3500K | 730/940/1160 | |
| AL582502 | 8w/10w/12w | 6" | 4000K | 730/940/1160 | |
| AL582503 | 8w/10w/12w | 6" | 5000K | 730/940/1160 | |
| AL582504 | 12w/14w/16w | 6" | 3000K | 1160/1380/1560 | |
| AL582505 | 12w/14w/16w | 6" | 3500K | 1160/1380/1560 | |
| AL582506 | 12w/14w/16w | 6" | 4000K | 1160/1380/1560 | |
| AL582507 | 12w/14w/16w | 6" | 5000K | 1160/1380/1560 | |
| AL582508 | 11w/16w/21w | 8" | 3000K | 1050/1580/2110 | |
| AL582509 | 11w/16w/21w | 8" | 3500K | 1050/1580/2110 | |
| AL582510 | 11w/16w/21w | 8" | 4000K | 1050/1580/2110 | |
| AL582511 | 11w/16w/21w | 8" | 5000K | 1050/1580/2110 | |
| AL582512 | 31w/41w/51w | 8" | 3000K | 3170/4230/5290 | |
| AL582513 | 31w/41w/51w | 8" | 3500K | 3170/4230/5290 | |
| AL582514 | 31w/41w/51w | 8" | 4000K | 3170/4230/5290 | |
| AL582515 | 31w/41w/51w | 8" | 5000K | 3170/4230/5290 | |

Note:

- 40° ± 10 Beam angle for 3"
- 60° ± 10 Beam angle for 4"
- 70° ± 10 Beam angle for 6" & 8"

Packing information

| Model | CBM (Master) | Pieces per master | Box Dimensions (CM) | Gross weight (KGS) |
|-------|--------------|-------------------|---------------------|--------------------|
| 3" | 0.0180 | 4 | 17.5 x 43.6 x 23.6 | 2.41 |
| 4" | 0.0231 | 4 | 19 x 46.6 x 26.2 | 2.68 |
| 6" | 0.0272 | 4 | 21.3 x 35.8 x 35.8 | 4.20 |
| 8" | 0.0523 | 4 | 23 x 47.7 x 47.7 | 6.60 |

DLX Max™ Series Lumen & CCT Selectable

3"/4"/6"/8"



The DLX Max™ Series LED downlights with lumen selectable are Architectural Specification-Grade, recessed downlights ideal for professional applications. Quality, housing-free recessed downlighting is achieved with its narrow remote driver box. It features a switch for easy lumen adjustment. The DLX Max™ Series fixtures are quick and simple to install from below the ceiling.

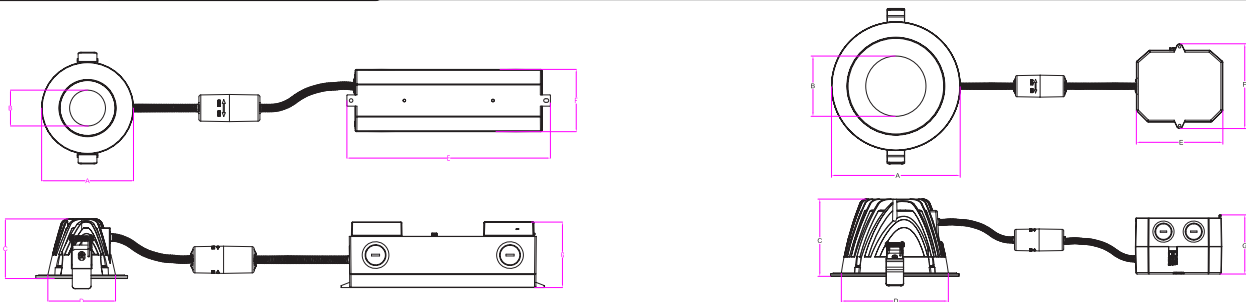
Americanlite® innovative lumen and CCT selectable feature incorporates a switch on each fixture for simple lumen (power) & CCT adjustment; 3 different choices for every single application. Too bright or too dark? Simply toggle the integrated switch to your desired setting and you are done! Whatever your application, the DLX Max™ Series luminaires are sure to give you the feel and flexibility that you need. More flexibility? DLX Max™ Series fixtures are dimmable 0-100%.

All components in DLX Max™ Series are top of the line, every detail has been taken care of for a premium performance. DLX Max™ luminaires offer a lower splay recesses optical system into the ceiling to prevent glare and provide a professional look. Rugged one-piece die-cast aluminum heat sink design for optimal thermal management. Wet location rated lens is tightly fitted to the housing to reduce the ingress of dust. White PC Reflector reflector provides glare free illumination with excellent light control. A patented micro prism lens and a stunning CRI 80 will bring true colors, completing your project to a high-end profile.

The DLX Max™ downlighting. It delivers exceptional visual comfort and optical control, extraordinary mechanical precision, installation efficiency and future proofing.

| | | |
|------------------------------------|----------------------|----------------------------|
| | | |
| | CCT 27K-5K | Lumen Selectable |
| CCT Selectable 27K-5K | DIM 0-10V | LM80 |
| Lumens Up to 96 lxw | CRI 80 | 40°-70° Beam Angle |
| VOLTS 120-277 | PF >0.90 | THD <20% |
| | | 5 YEAR Warranty |

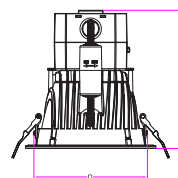
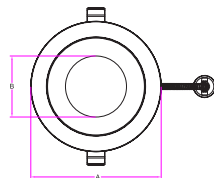
Dimensions (mm)



| Power | Size | Cut Out | | | | | | |
|--------------|------|---------|----|------|-----|-----|------|----|
| | | A | B | C | D | E | F | G |
| 5.5w/7w/8.5w | 3" | 98 | 27 | 63.3 | 80 | 217 | 66.5 | 70 |
| 8.5w/10w/11w | 4" | 120 | 50 | 73 | 100 | 217 | 66.5 | 70 |

| Power | Size | Cut Out | | | | | | |
|-------------|------|---------|-----|-----|-----|-----|-----|----|
| | | A | B | C | D | E | F | G |
| 12w/18w/24w | 6" | 170 | 80 | 102 | 152 | 114 | 112 | 78 |
| 34w/46w/59w | 8" | 230 | 121 | 126 | 205 | 114 | 112 | 78 |

With box installed on top of downlight (6' and 8" only)



| Size | A | B | C | D (Cut Out) |
|------|-----|-----|-----|-------------|
| 6" | 170 | 80 | 180 | 152 |
| 8" | 230 | 121 | 204 | 205 |

Ordering information

| Item | Power | Size | CCT | Lumens | Battery Pack Options |
|----------|--------------|------|------------------|----------------|--|
| AL582540 | 5.5w/7w/8.5w | 3" | 27K/3K/35K/4K/5K | 480/630/740 | E1 4w AL585005 E2 8w AL585008 |
| AL582541 | 8.5w/10w/11w | 4" | 27K/3K/35K/4K/5K | 740/850/960 | |
| AL582542 | 12w/18w/24w | 6" | 3K/35K/4K/5K | 1150/1700/2300 | |
| AL582543 | 34w/46w/59w | 8" | 3K/35K/4K/5K | 3400/4600/5700 | |

Note:

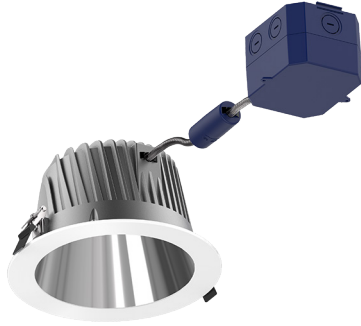
- 40° ± 10 Beam angle for 3"
- 60° ± 10 Beam angle for 4"
- 70° ± 10 Beam angle for 6" & 8"

Packing information

| Model | CBM (Master) | Pieces per master | Box Dimensions (CM) | Gross weight (KGS) |
|-------|--------------|-------------------|---------------------|--------------------|
| 3" | 0.0180 | 4 | 17.5 x 43.6 x 23.6 | 2.7 |
| 4" | 0.0231 | 4 | 19 x 46.6 x 26.2 | 3.14 |
| 6" | 0.0272 | 4 | 21.3 x 35.8 x 35.8 | 4.7 |
| 8" | 0.0523 | 4 | 23 x 47.7 x 47.7 | 7.5 |

DLX Max™ Series Lumen & CCT Selectable

3"/4"/6"/8"



The DLX Max™ Series LED downlights with lumen selectable are Architectural Specification-Grade, recessed downlights ideal for professional applications. Quality, housing-free recessed downlighting is achieved with its narrow remote driver box. It features a switch for easy lumen adjustment. The DLX Max™ Series fixtures are quick and simple to install from below the ceiling.

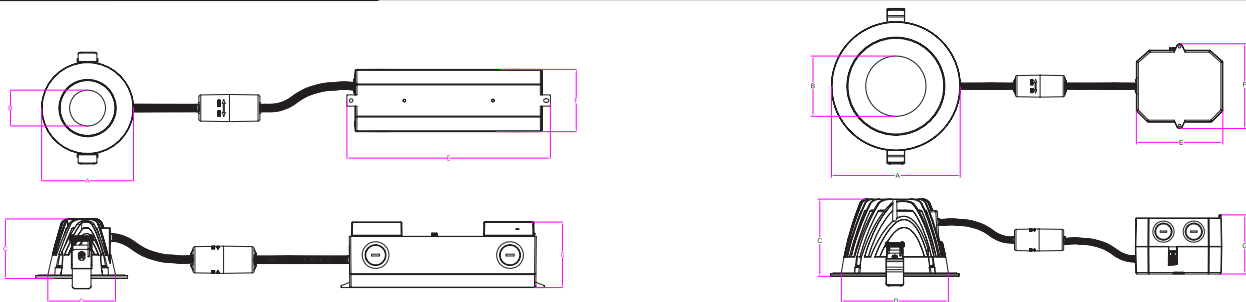
Americanlite® innovative lumen and CCT selectable feature incorporates a switch on each fixture for simple lumen (power) & CCT adjustment; 3 different choices for every single application. Too bright or too dark? Simply toggle the integrated switch to your desired setting and you are done! Whatever your application, the DLX Max™ Series luminaires are sure to give you the feel and flexibility that you need. More flexibility? DLX Max™ Series fixtures are dimmable 0-100%.

All components in DLX Max™ Series are top of the line, every detail has been taken care of for a premium performance. DLX Max™ luminaires offer a lower splay recesses optical system into the ceiling to prevent glare and provide a professional look. Rugged one-piece die-cast aluminum heat sink design for optimal thermal management. Wet location rated lens is tightly fitted to the housing to reduce the ingress of dust. Clear specular spun aluminum reflector provides glare free illumination with excellent light control. A patented micro prism lens and a stunning CRI 80 will bring true colors, completing your project to a high-end profile.

The DLX Max™ downlighting. It delivers exceptional visual comfort and optical control, extraordinary mechanical precision, installation efficiency and future proofing.

| | | |
|----------------------------------|----------------------|-----------------------------|
| | | |
| | CCT 27K-5K | Lumen Selectable |
| CCT* Selectable 27K-5K | DIM 0-10V | LM80 |
| Lumens Up to 89 lxw | CRI 80 | 40°-70° Beam Angle |
| VOLTS 120-277 | PF >0.90 | THD <20% |
| -20°C~40°C | 50,000 | 5 YEAR Warranty |

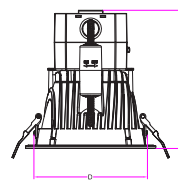
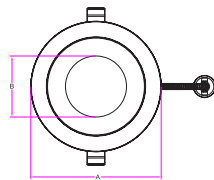
Dimensions (mm)



| Power | Size | Cut Out | | | | | | |
|--------------|------|---------|----|------|-----|-----|------|----|
| | | A | B | C | D | E | F | G |
| 5.5w/7w/8.5w | 3" | 98 | 27 | 63.3 | 80 | 217 | 66.5 | 70 |
| 8.5w/10w/11w | 4" | 120 | 50 | 73 | 100 | 217 | 66.5 | 70 |

| Power | Size | Cut Out | | | | | | |
|-------------|------|---------|-----|-----|-----|-----|-----|----|
| | | A | B | C | D | E | F | G |
| 12w/18w/24w | 6" | 170 | 80 | 102 | 152 | 114 | 112 | 78 |
| 34w/46w/59w | 8" | 230 | 121 | 126 | 205 | 114 | 112 | 78 |

With box installed on top of downlight (6' and 8" only)



| Size | A | B | C | D (Cut Out) |
|------|-----|-----|-----|-------------|
| 6" | 170 | 80 | 180 | 152 |
| 8" | 230 | 121 | 204 | 205 |

Ordering information

| Item | Power | Size | CCT | Lumens | Battery Pack Options |
|----------|--------------|------|------------------|----------------|--|
| AL582544 | 5.5w/7w/8.5w | 3" | 27K/3K/35K/4K/5K | 440/570/690 | E1 4w AL585005 E2 8w AL585008 |
| AL582545 | 8.5w/10w/11w | 4" | 27K/3K/35K/4K/5K | 690/790/880 | |
| AL582546 | 12w/18w/24w | 6" | 3K/35K/4K/5K | 1050/1580/2120 | |
| AL582547 | 34w/46w/59w | 8" | 3K/35K/4K/5K | 3150/4200/5280 | |

Note:

- 40° ± 10 Beam angle for 3"
- 60° ± 10 Beam angle for 4"
- 70° ± 10 Beam angle for 6" & 8"

Packing information

| Model | CBM (Master) | Pieces per master | Box Dimensions (CM) | Gross weight (KGS) |
|-------|--------------|-------------------|---------------------|--------------------|
| 3" | 0.0180 | 4 | 17.5 x 43.6 x 23.6 | 2.7 |
| 4" | 0.0231 | 4 | 19 x 46.6 x 26.2 | 3.14 |
| 6" | 0.0272 | 4 | 21.3 x 35.8 x 35.8 | 4.7 |
| 8" | 0.0523 | 4 | 23 x 47.7 x 47.7 | 7.5 |

DLX Pro™ Series 6"/8"



The DLX Pro™ Series is a commercial and architectural grade LED recessed downlight with cutting edge led technology that offers color consistency from fixture to fixture.

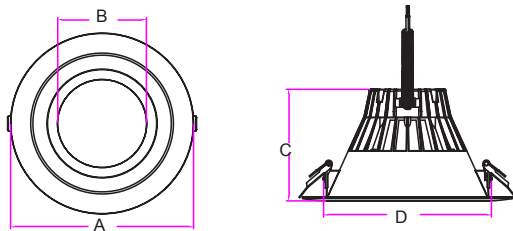
Computer designed reflector, creates more uniform light with fewer downlights without worrying about glare or distractions. DLX Pro™ Series optic system offers a comfortable, soothing light, achieving uncompromising illumination with a true 90° Beam. White color housing (silver for 12w).

The optic chamber, is a fully enclosed modular system, ensuring maximum heat dissipation. DLX Pro™ Series features an integrated led power supply and thermal management system combined in a single compact unit. UL Integrated driver 0-10v dimming, 100-277v.

DLX Pro™ Series is the ideal specification grade downlighting. It delivers exceptional visual comfort and optical control, extraordinary mechanical precision, installation efficiency and future proofing, with a life expectancy of 50,000 hours at 70% Lumen maintenance.

Designed for optimal life and lumen maintenance, DLX Pro™ Series is perfect balance of visual comfort and quality of light.

Dimensions (mm)



| Power | Size | A | B | C | D (Cut out) |
|-------|------|-----|-----|-----|-------------|
| 12w | 6" | 187 | 94 | 94 | 139 |
| 18w | 6" | 187 | 95 | 110 | 146 |
| 24w | 8" | 240 | 117 | 128 | 192 |
| 33w | 8" | 240 | 140 | 129 | 192 |

Ordering information

| Item | Power | Size | CCT | Lumens |
|----------|-------|------|-------|--------|
| AL582163 | 12w | 6" | 3000K | 1050 |
| AL582164 | 12w | 6" | 3500K | 1080 |
| AL582165 | 12w | 6" | 4000K | 1110 |
| AL582166 | 12w | 6" | 5000K | 1140 |

| Item | Power | Size | CCT | Lumens |
|----------|-------|------|-------|--------|
| AL582171 | 24w | 8" | 3000K | 2300 |
| AL582172 | 24w | 8" | 3500K | 2340 |
| AL582173 | 24w | 8" | 4000K | 2380 |
| AL582174 | 24w | 8" | 5000K | 2420 |

| Battery Pack Options | |
|----------------------|-----------------------------|
| E3 | 20w AL585006 (for 12w, 18w) |
| E4 | 40w AL585027 (for 24w, 33w) |

| Item | Power | Size | CCT | Lumens |
|----------|-------|------|-------|--------|
| AL582167 | 18w | 6" | 3000K | 1700 |
| AL582168 | 18w | 6" | 3500K | 1740 |
| AL582169 | 18w | 6" | 4000K | 1780 |
| AL582170 | 18w | 6" | 5000K | 1820 |

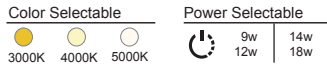
| Item | Power | Size | CCT | Lumens |
|----------|-------|------|-------|--------|
| AL582175 | 33w | 8" | 3000K | 3500 |
| AL582176 | 33w | 8" | 3500K | 3540 |
| AL582177 | 33w | 8" | 4000K | 3580 |
| AL582178 | 33w | 8" | 5000K | 3620 |

Packing information

| Model | CBM (Master) | Pieces per master | Box Dimensions (CM) | Gross weight (KGS) |
|-------|--------------|-------------------|---------------------|--------------------|
| 12w | 0.0217 | 4 | 40.9 x 25.5 x 20.9 | 2.79 |
| 18w | 0.0263 | 4 | 40.9 x 30.8 x 20.9 | 3.76 |
| 24w | 0.0506 | 4 | 52 x 34.5 x 26.25 | 5.30 |
| 33w | 0.0506 | 4 | 52 x 34.5 x 26.25 | 6.22 |

DLX Pro™ Series

CCT/Power Selectable
6"



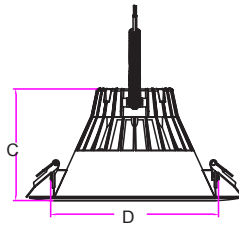
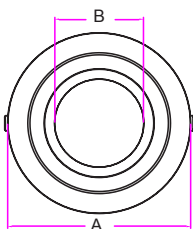
The DLX Pro™ Series LED downlights with selectable CCT are specification grade recessed downlights ideal for ceiling plenum applications. Quality, housing-free recessed downlighting is achieved with its fully enclosed modular system ensuring maximum heat dissipation. It features a switch for easy color temperature adjustment.

Americanlite® innovative Selectable 3-CCT feature incorporates a switch on each fixture for simple color temperature adjustment. Different choices for every single application. Too warm or too cool? Simply toggle the integrated switch to your desired setting and you are done! Whatever your application, The DLX Pro™ Series luminaires are sure to give you the feel and flexibility that you need. More flexibility? The DLX Pro™ fixtures are dimmable 0-10V and 120-277v.

Computer designed reflector, creates more uniform light with fewer downlights without worrying about glare or distractions. DLX Pro™ Series optic system offers a comfortable, soothing light, achieving uncompromising illumination with a true 90° Beam. Silver color housing (white for 14w/18w).

The DLX Pro™ Series with selectable CCT are the ideal specification-grade architectural downlighting. They are wet location listed, making them ideal for use in a breadth of outdoor residential, commercial, hospitality and multifamily applications. It delivers exceptional visual comfort and optical control, extraordinary mechanical precision, installation efficiency and future proofing.

Dimensions (mm)



| Power | Size | A | B | C | D (Cut out) |
|---------|------|-----|----|------|-------------|
| 9w/12w | 6" | 187 | 94 | 97.5 | 139 |
| 14w/18w | 6" | 187 | 95 | 113 | 146 |



Ordering information

| Item | Power | Size | 3000K | 4000K | 5000K | Battery Pack Options |
|----------|-------|------|---------|---------|---------|----------------------|
| AL582179 | 9w | 6" | 700 lm | 730 lm | 760 lm | E3 20w AL585006 |
| | 12w | 6" | 900 lm | 930 lm | 960 lm | |
| AL582180 | 14w | 6" | 1200 lm | 1230 lm | 1260 lm | |
| | 18w | 6" | 1500 lm | 1540 lm | 1580 lm | |

Packing information

| Model | CBM (Master) | Pieces per master | Box Dimensions (CM) | Gross weight (KGS) |
|---------|--------------|-------------------|---------------------|--------------------|
| 9w/12w | 0.0217 | 4 | 20.8 x 41.1 x 25.5 | 2.8 |
| 14w/18w | 0.0262 | 4 | 20.8 x 41.1 x 30.7 | 3.6 |



DLC™ Pro Series

5 CCT & Power Selectable

4"/6"/8"/10"

The DLC™ Pro Series LED downlights with selectable CCT & power are specification grade recessed downlights ideal for ceiling plenum applications. Quality, housing-free recessed downlighting is achieved with its fully enclosed modular system ensuring maximum heat dissipation. Secure trim retention with two side-mounted spring clips for easy installation.

| Color Selectable | | | | | Power Selectable | | | |
|------------------|-------|-------|-------|-------|------------------|-----|-----|-----|
| ● | ● | ● | ● | ● | 7w | 10w | 12w | 20w |
| 2700K | 3000K | 3500K | 4000K | 5000K | 10w | 15w | 20w | 30w |
| | | | | | 13w | 22w | 30w | 40w |

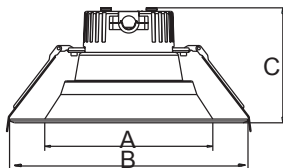


Americanlite® innovative selectable 5-CCT feature incorporates a switch on each fixture for simple color temperature adjustment. Different choices for every single application. Too warm or too cool? Simply toggle the integrated switch to your desired setting and you are done! Whatever your application, The DLC™ Series is sure to give you the feel and flexibility that you need. More flexibility? The luminaires are power selectable, dimmable 0-10V and 100-277v. DLC™ Pro Series are IC Rated and comply with National Electrical Code (NEC), UL, Energy Star and Title 24 approved.

DLC™ Pro Series luminaires features a computer designed reflector, that creates more uniform light with fewer downlights without worrying about glare or distractions. DLC™ Pro Series optic system offers a comfortable, soothing light, achieving uncompromising illumination and CRI>90.

The DLC™ Pro Series with selectable CCT & power, are the ideal specification-grade architectural downlighting. They are wet location listed, making them ideal for use in a breadth of outdoor residential, commercial, hospitality and multifamily applications. It delivers exceptional visual comfort and optical control, extraordinary mechanical precision, installation efficiency and future proofing.

Dimensions (mm)



| Power | Size | A | B | C |
|-------------|------|-----|-----|-----|
| 7w/10w/13w | 4" | 95 | 136 | 77 |
| 10w/15w/22w | 6" | 150 | 209 | 101 |
| 12w/20w/30w | 8" | 186 | 260 | 116 |
| 20w/30w/40w | 10" | 218 | 287 | 126 |

Ordering information

| Item | Power | Size | 2700K | 3000K | 3500K | 4000K | 5000K | Battery Pack Options |
|----------|-------|------|---------|---------|---------|---------|---------|------------------------|
| AL582561 | 7w | 4" | 590 lm | 610 lm | 630 lm | 645 lm | 650 lm | E4 40w AL585027 |
| | 10w | 4" | 850 lm | 880 lm | 910 lm | 915 lm | 930lm | |
| | 13w | 4" | 1020 lm | 1045 lm | 1055 lm | 1060 lm | 1060 lm | |
| AL582562 | 10w | 6" | 800 lm | 825 lm | 855 lm | 870 lm | 890 lm | |
| | 15w | 6" | 1200 lm | 1220 lm | 1250 lm | 1265 lm | 1285 lm | |
| | 22w | 6" | 1850 lm | 1880 lm | 1910 lm | 1940 lm | 1970 lm | |
| AL582563 | 12w | 8" | 1000 lm | 1030 lm | 1060 lm | 1090 lm | 1120 lm | |
| | 20w | 8" | 1700 lm | 1730 lm | 1760 lm | 1790 lm | 1820 lm | |
| | 30w | 8" | 2400 lm | 2430 lm | 2460 lm | 2490 lm | 2520 lm | |
| AL582564 | 20w | 10" | 1700 lm | 1730 lm | 1760 lm | 1790 lm | 1820 lm | |
| | 30w | 10" | 2300 lm | 2330 lm | 2360 lm | 2390 lm | 2420 lm | |
| | 40w | 10" | 3000 lm | 3030 lm | 3060 lm | 3090 lm | 3120 lm | |

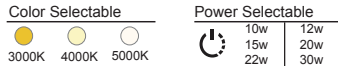
Packing information

| Model | CBM (Master) | Pieces per master | Box Dimensions (CM) | Gross weight (KGS) |
|-------|--------------|-------------------|---------------------|--------------------|
| 4" | 0.0405 | 12 | 37 x 60.2 x 18.2 | 5.8 |
| 6" | 0.0354 | 6 | 48 x 35 x 26 | 5.2 |
| 8" | 0.0564 | 6 | 56.5 x 36.5 x 30 | 6.5 |
| 10" | 0.0629 | 4 | 60 x 32.5 x 33 | 4 |

DLC™ Series

3 CCT & Power Selectable

6"/8"



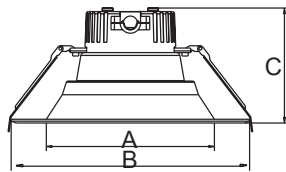
The DLC™ Series LED downlights with selectable CCT & power are specification grade recessed downlights ideal for ceiling plenum applications. Quality, housing-free recessed downlighting is achieved with its fully enclosed modular system ensuring maximum heat dissipation. Secure trim retention with two side-mounted spring clips for easy installation.

Americanlite® innovative selectable 3-CCT feature incorporates a switch on each fixture for simple color temperature adjustment. Different choices for every single application. Too warm or too cool? Simply toggle the integrated switch to your desired setting and you are done! Whatever your application, The DLC™ Series is sure to give you the feel and flexibility that you need. More flexibility? The luminaires are power selectable, dimmable 0-10V and 100-277v. DLC™ Series are IC Rated and comply with National Electrical Code (NEC), ETL, Energy Star and Title 24 approved.

DLC™ Series luminaires features a computer designed reflector, that creates more uniform light with fewer downlights without worrying about glare or distractions. DLC™ Series optic system offers a comfortable, soothing light, achieving uncompromising illumination and CRI>90.

The DLC™ Series with selectable CCT & power, are the ideal specification-grade architectural downlighting. They are wet location listed, making them ideal for use in a breadth of outdoor residential, commercial, hospitality and multifamily applications. It delivers exceptional visual comfort and optical control, extraordinary mechanical precision, installation efficiency and future proofing.

Dimensions (mm)



| Power | Size | A | B | C |
|-------------|------|-----|-----|-----|
| 10w/15w/22w | 6" | 150 | 209 | 101 |
| 12w/20w/30w | 8" | 186 | 260 | 112 |

Ordering information

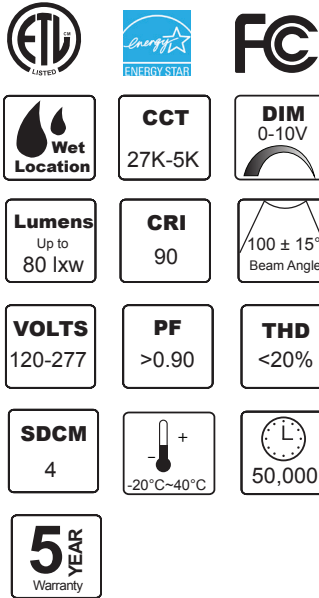
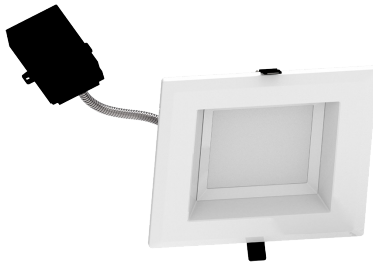
| Item | Power | Size | 3000K | 4000K | 5000K | Battery Pack Options |
|----------|-------|------|---------|---------|---------|------------------------|
| AL582440 | 10w | 6" | 800 lm | 850 lm | 900 lm | E4 40w AL585027 |
| | 15w | 6" | 1250 lm | 1300 lm | 1350 lm | |
| | 22w | 6" | 1900 lm | 1950 lm | 2000 lm | |
| AL582441 | 12w | 8" | 900 lm | 950 lm | 1000 lm | |
| | 20w | 8" | 1600 lm | 1650 lm | 1700 lm | |
| | 30w | 8" | 2400 lm | 2450 lm | 2500 lm | |

Note:
• Lumen and power 10% tolerance

Packing information

| Model | CBM (Master) | Pieces per master | Box Dimensions (CM) | Gross weight (KGS) |
|-------|--------------|-------------------|---------------------|--------------------|
| 6" | 0.0354 | 6 | 45 x 35 x 22.5 | 4 |
| 8" | 0.0564 | 6 | 55 x 36.5 x 28.5 | 6 |

DLSQ Pro™ Series 8"



The DLSQ Pro™ Series is a commercial and architectural grade LED recessed downlight with cutting edge led technology that offers color consistency from fixture to fixture.

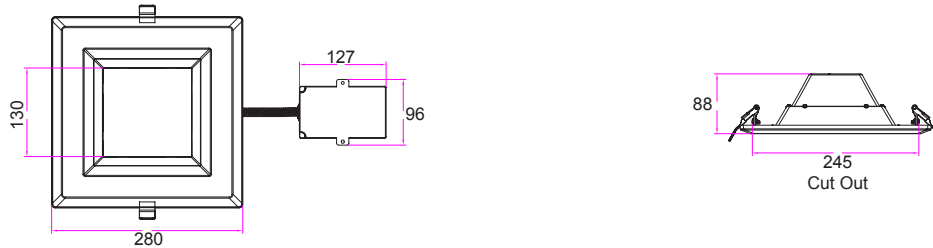
Computer designed reflector, creates more uniform light with fewer downlights without worrying about glare or distractions. DLSQ Pro™ Series optic system offers a comfortable, soothing light, achieving uncompromising illumination in a traditional square form.

The optic chamber, is a fully enclosed modular system, ensuring maximum heat dissipation. DLSQ Pro™ Series features an integrated led power supply and thermal management system combined in a single compact unit. UL Integrated driver 0-10v dimming, 120-277v.

DLSQ Pro™ Series is the ideal specification grade downlighting. It delivers exceptional visual comfort and optical control, extraordinary mechanical precision, installation efficiency and future proofing, with a life expectancy of 50,000 hours at 70% Lumen maintenance.

Designed for optimal life and lumen maintenance, DLSQ Pro™ Series is perfect balance of visual comfort and quality of light.

Dimensions (mm)



Ordering information

| Item | Power | Size | CCT | Lumens | Item | Power | Size | CCT | Lumens | Battery Pack Options |
|----------|-------|------|-------|--------|----------|-------|------|-------|--------|----------------------|
| AL582550 | 25w | 8" | 2700K | 2000 | AL582556 | 39w | 8" | 2700K | 3000 | E1 4w AL585005 |
| AL582551 | 25w | 8" | 3000K | 2000 | AL582557 | 39w | 8" | 3000K | 3000 | |
| AL582552 | 25w | 8" | 3500K | 2000 | AL582558 | 39w | 8" | 3500K | 3000 | |
| AL582553 | 25w | 8" | 4000K | 2000 | AL582559 | 39w | 8" | 4000K | 3000 | |
| AL582554 | 25w | 8" | 5000K | 2000 | AL582560 | 39w | 8" | 5000K | 3000 | |

NOTES:
Lumen and power 10% tolerance

Packing information

| Model | CBM (Master) | Pieces per master | Box Dimensions (CM) | Gross weight (KGS) |
|---------|--------------|-------------------|---------------------|--------------------|
| 25w 39w | 0.0490 | 4 | 58.2 x 30.3 x 27.75 | 7 |

DXP8™ Series 8"



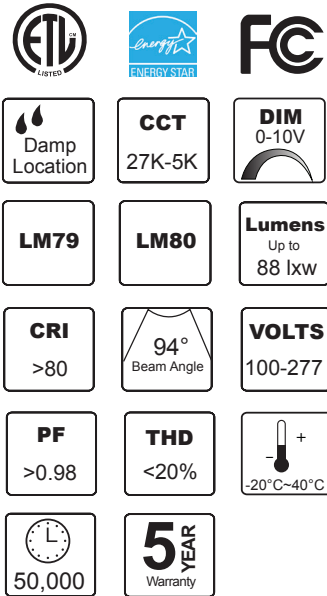
The DXP8™ Series is an 8" commercial grade LED recessed downlight with cutting edge led technology that offers color consistency from fixture to fixture.

The DXP8™ Series downlights feature a unique "canless" design. These all-in-one LED fixtures include an integrated junction box for direct wiring, require no tools and take less than 1/3 of the time to install versus a conventional fixture with can. Secure trim retention with two side-mounted spring clips for easy installation in plaster, sheet rock, or plywood ceilings.

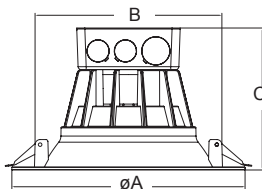
The DXP8™ Series computer designed baffle reflector, creates more uniform light with fewer downlights without worrying about glare or distractions. DXP8™ Series optic system offers a comfortable, soothing light, achieving uncompromising illumination with a true 94° beam and optional CRI>90. The optic chamber, made of extruded aluminum ensures maximum heat dissipation.

DXP8™ Series features an integrated UL driver 100-277v & 0-10v dimming, adding versatility and control. LED power, driver and housing work together in harmony to create a thermal management system in a single compact unit, with a life expectancy of 50,000 hours at 70% lumen maintenance. DXP8™ Series are IC Rated and comply with National Electrical Code (NEC), ETL, Energy Star and Title 24 approved.

DXP8™ Series is the ideal specification grade downlighting for remodel or new construction projects. It delivers exceptional visual comfort and optical control, extraordinary mechanical precision, installation efficiency and future proofing. Designed for optimal life and lumen maintenance, DXP8™ Series is perfect balance of visual comfort and quality of light.



Dimensions (mm)



| Power | Size | A | B | C |
|---------|------|-----|-----|-----|
| 25w/30w | 8" | 230 | 185 | 140 |

Ordering information

| Item | Power | Size | CCT | Lumens | Options | Battery Pack Options |
|----------|-------|------|-------|--------|--------------------------------|----------------------|
| AL582420 | 25w | 8" | 2700K | 1950 | 9 CRI >90 (Lumens 10% less) | E4 40w AL585027 |
| AL582421 | 25w | 8" | 3000K | 2000 | | |
| AL582422 | 25w | 8" | 4000K | 2100 | | |
| AL582423 | 25w | 8" | 5000K | 2200 | | |
| AL582424 | 30w | 8" | 2700K | 2350 | | |
| AL582425 | 30w | 8" | 3000K | 2350 | | |
| AL582426 | 30w | 8" | 4000K | 2600 | | |
| AL582427 | 30w | 8" | 5000K | 2600 | | |

Packing information

| Model | CBM (Master) | Pieces per master | Box Dimensions (CM) | Gross weight (KGS) |
|-----------|--------------|-------------------|---------------------|--------------------|
| 25w / 30w | 0.0557 | 6 | 48 x 45.5 x 25.5 | 8 |

DXP10™ Series

10"



The DXP10™ Series is a 10" commercial grade LED recessed downlight with cutting edge DOB led technology that eliminates the need for drivers, resulting in a more stable and powerful fixture, with stunning lifetime up to 50,000 hours, and power factor >99%.

The DXP10™ Series downlights feature a unique "canless" design. These all-in-one LED fixtures include an integrated junction box for direct wiring, require no tools and take less than 1/3 of the time to install versus a conventional fixture with can. Secure trim retention with two side-mounted spring clips for easy installation in plaster, sheet rock, or plywood ceilings.

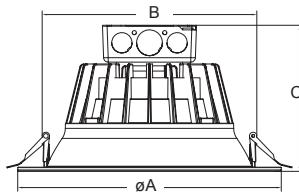
The DXP10™ Series computer designed baffle reflector, creates more uniform light with fewer downlights without worrying about glare or distractions. DXP10™ Series optic system offers a comfortable, soothing light, achieving uncompromising illumination with a true 98° Beam and CRI>90 (optional). The optic chamber, made of extruded aluminum ensures maximum heat dissipation.

DXP10™ Series features 100-277v & 0-10v dimming, to add versatility and control. DOB technology, led power, and housing work together in harmony to create a thermal management system in a single compact unit. DXP10™ Series are IC Rated and comply with National Electrical Code (NEC), ETL, Energy Star and Title 24 approved.

DXP10™ Series is the ideal specification grade downlighting for remodel or new construction projects. It delivers exceptional visual comfort and optical control, extraordinary mechanical precision, installation efficiency and future proofing. Designed for optimal life and lumen maintenance, DXP10™ Series is perfect balance of visual comfort and quality of light.



Dimensions (mm)



| Power | Size | A | B | C |
|-------------|------|-----|-----|-----|
| 30w/30w/50w | 10" | 286 | 233 | 159 |

Ordering information

| Item | Power | Size | CCT | Lumens | Item | Power | Size | CCT | Lumens |
|----------|-------|------|-------|--------|----------|-------|------|-------|--------|
| AL582428 | 30w | 10" | 2700K | 2600 | AL582436 | 50w | 10" | 2700K | 4000 |
| AL582429 | 30w | 10" | 3000K | 2700 | AL582437 | 50w | 10" | 3000K | 4300 |
| AL582430 | 30w | 10" | 4000K | 2800 | AL582438 | 50w | 10" | 4000K | 4300 |
| AL582431 | 30w | 10" | 5000K | 2800 | AL582439 | 50w | 10" | 5000K | 4500 |
| Item | Power | Size | CCT | Lumens | | | | | |
| AL582432 | 40w | 10" | 2700K | 3300 | | | | | |
| AL582433 | 40w | 10" | 3000K | 3300 | | | | | |
| AL582434 | 40w | 10" | 4000K | 3700 | | | | | |
| AL582435 | 40w | 10" | 5000K | 3700 | | | | | |

Packing information

| Model | CBM (Master) | Pieces per master | Box Dimensions (CM) | Gross weight (KGS) |
|-----------------|--------------|-------------------|---------------------|--------------------|
| 30w / 40w / 50w | 0.0703 | 4 | 62 x 31 x 36 | 8 |



Disk™ Series CCT Selectable 4"/6"/8"

- UL**
CERTIFIED
- DOB**
Tech
- Damp Location**
- LM80**
- LM79**
- IK 07**
- IP 43**
- 5CCT Selectable**
27K-5K
- 100° Beam Angle**
- DIM Triac**
- CRI 80**
- UGR Up to 22**
- SDCM <8**
- VOLTS 120V**
- PF >.90**
- THD 20%**
- 20°C~40°C**
- 60,000**
- 5 YEAR Warranty**

Americanlite® Disk™ Series incorporate DOB™ technology to create an ultra-low profile, surface-mounting LED luminaire with the performance and look of traditional downlights. Disk™ Series is designed for installation in many square, octagon and round junction boxes. Suitable for residential or commercial installations.

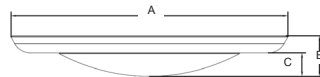
Americanlite® innovative selectable 5-CCT feature incorporates a switch on each fixture for simple color temperature adjustment. Not 3...but 5 different choices for every single application (2700-3000-3500-4000-5000K) and an impressive CRI 80. Too warm or too cool? Simply toggle the integrated switch to your desired setting and you are done! Whatever your application, the Disk™ luminaire is sure to give you the feel and flexibility that you need. More flexibility? Disk™ is dimmable (Triac) 10-100%.

Disk™ luminaire housing and frame are made of stamped steel; white finish standard (paintable), other colors available. Precision engineered optic provides uniform luminance from a low-profile convex lens.

Disk™ luminaire L70 at 60,000 hours projected in accordance with TM-21. EMI/RFI emissions per FCC 47CFR Part 15B. Disk™ luminaire contains no mercury or lead and RoHS compliant. Photometric testing in accordance with IES LM-79-08.

The Americanlite® Disk™ Series offers unparalleled design freedom with mainstream value. Perfect for residential or commercial installations and ideal for general lighting, schools, hotels, storage areas, corridors, basements, kitchen, and many more.

Dimensions (mm)



| Power | Size | A | B | C | D |
|-------|------|-----|----|------|-----|
| 10w | 4" | 150 | 22 | 12 | 97 |
| 15w | 6" | 186 | 24 | 12 | 132 |
| 20w | 8" | 240 | 34 | 14.2 | 182 |

Ordering information

| Item | Power | Size | 2700K | 3000K | 3500K | 4000K | 5000K | Ring | |
|----------|-------|------|---------|---------|---------|---------|---------|--------------|--------------|
| AL582566 | 10w | 4" | 715 lm | 740 lm | 753 lm | 753 lm | 740 lm | Blank | White |
| AL582567 | 15w | 6" | 1265 lm | 1320 lm | 1370 lm | 1340 lm | 1300 lm | SN | Satin Nickel |
| AL582568 | 20w | 8" | 1700 lm | 1770 lm | 1815 lm | 1785 lm | 1760 lm | DB | Dark Brown |
| | | | | | | | | BK | Black |

Compatible dimmers

| | | | | | | | | | |
|---------|---------------|----------------|-------------|--------------|-------------|--------------|----------------|--------------|---------------|
| Lutron | DVCL-153P-WH | CTCL-153PDH-WH | SLV-600P-WH | S-600PR-WH | DV-600P | CT-603PGH-WH | MIR-600THW-WH | MACL-153M-WH | S-600PR-WH |
| | DVLV-603P-IV | DVW-603PGH-WH | DVFSQ-LFH | SCL-153PR-WH | CT-600PR-WH | CT-103PR-WH | DVWCL-153PH-LA | CTCL-150H-WH | CTCL-153PR-WH |
| | STCL-153PH-WH | NT-1000 | S-603P | | | | | | |
| Leviton | 6674 | 6633-P | 6672 | DSL06-1TW | 6631 | IPL06 | IPV0R | 1A2305 | 1E1205 |
| | DB33K1 | 1F4205 | | | | | | | |

Notes

• Switch ON/OFF = 114,000 times

• Beam Angle:
4" = 110°
6" = 100°
8" = 110°

Packing information

| Model | CBM (Master) | Pieces per master | Box Dimensions (CM) | Gross weight (KGS) |
|-------|--------------|-------------------|---------------------|--------------------|
| 4" | 0.0179 | 12 | 32.5 x 31.5 x 17.5 | 3 |
| 6" | 0.0186 | 12 | 39.5 x 22.5 x 21 | 4 |
| 8" | 0.0657 | 12 | 50 x 26.3 x 50 | 6 |



Disk™ Series

4"/6"/8"



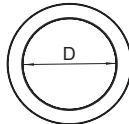
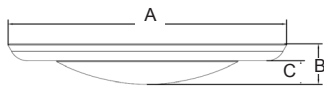
Americanlite® Disk™ Series incorporate DOB™ technology to create an ultra-low profile, surface-mounting LED luminaire with the performance and look of traditional downlights. Disk™ Series is designed for installation in many 2.75 inch, 3.5 inch and 4 inch square, octagon and round junction boxes. Suitable for residential or commercial installations.

Disk™ luminaire housing and frame are made of stamped steel; white finish standard (paintable), other colors available. Precision engineered optic provides uniform luminance from a low-profile convex lens. Disk™ Series with Triac dimming capacity, 100% to 10%. Color temperature options include: 2700K, 3000K, 3500K, 4000K and 5000K options. 90 CRI is standard.

Disk™ luminaire L70 at 50,000 hours projected in accordance with TM-21. EMI/RFI emissions per FCC 47CFR Part 15B. Disk™ luminaire contains no mercury or lead and RoHS compliant. Photometric testing in accordance with IES LM-79-08.

The Americanlite® Disk™ Series offers unparalleled design freedom with mainstream value. Perfect for residential or commercial installations and ideal for general lighting, schools, hotels, storage areas, corridors, basements, kitchen, and many more.

Dimensions (mm)



| Power | Size | A | B | C | D |
|---------|------|-----|----|------|-----|
| 10w | 4" | 126 | 22 | 12 | 97 |
| 10w/15w | 6" | 185 | 24 | 12 | 132 |
| 20w/30w | 8" | 240 | 34 | 14.2 | 179 |

Compatible dimmers

| Lutron | DVCL-153P-WH | CTCL-153PDH-WH | SLV-600P-WH | S-600PR-WH | DV-600P | CT-603PGH-WH | MIR-600THW-WH | MACL-153M-WH | S-600PR-WH |
|---------|---------------|----------------|-------------|--------------|-------------|--------------|----------------|--------------|---------------|
| | DVLY-603P-IV | DVW-603PGH-WH | DVFSQ-LFH | SCL-153PR-WH | CT-600PR-WH | CT-103PR-WH | DVWCL-153PH-LA | CTCL-150H-WH | CTCL-153PR-WH |
| | STCL-153PH-WH | NT-1000 | S-603P | | | | | | |
| Leviton | 6674 | 6633-P | 6672 | DSL06-1TW | 6631 | IPL06 | IPV0R | 1A2305 | 1E1205 |
| | DB33K1 | 1F4205 | | | | | | | |

Ordering information

| Item | Power | Size | CCT | Lumens | Item | Power | Size | CCT | Lumens | Options |
|----------|-------|------|-------|--------|----------|-------|------|-------|--------|---|
| AL582400 | 10w | 4" | 2700K | 650 | AL682700 | 15w | 8" | 2700K | 1050 | RK E26 base & spare parts for retrofit application / existing Housing Blank White SN Satin Nickel DB Dark Brown BK Black |
| AL582401 | 10w | 4" | 3000K | 670 | AL682701 | 15w | 8" | 3000K | 1100 | |
| AL582402 | 10w | 4" | 4000K | 685 | AL682702 | 15w | 8" | 4000K | 1150 | |
| AL582403 | 10w | 4" | 5000K | 700 | AL682703 | 15w | 8" | 5000K | 1200 | |
| AL582404 | 10w | 6" | 2700K | 750 | AL582412 | 20w | 8" | 2700K | 1500 | |
| AL582405 | 10w | 6" | 3000K | 780 | AL582413 | 20w | 8" | 3000K | 1540 | |
| AL582406 | 10w | 6" | 4000K | 830 | AL582414 | 20w | 8" | 4000K | 1590 | |
| AL582407 | 10w | 6" | 5000K | 850 | AL582415 | 20w | 8" | 5000K | 1620 | |
| AL582408 | 15w | 6" | 2700K | 1050 | AL582416 | 30w | 8" | 2700K | 2250 | |
| AL582409 | 15w | 6" | 3000K | 1100 | AL582417 | 30w | 8" | 3000K | 2280 | |
| AL582410 | 15w | 6" | 4000K | 1150 | AL582418 | 30w | 8" | 4000K | 2310 | |
| AL582411 | 15w | 6" | 5000K | 1200 | AL582419 | 30w | 8" | 5000K | 2340 | |

Notes

- NO UL: 10w 6" 15w 8"
- Lumens Based on 5000K
- Lumen Tolerance ±10%
- Switch ON/OFF = 114,000 times
- Compatible with Leviton #ODC0S-I Occupancy Sensor
- THD: 10w = 11% 10w = 15% (6") 15w = 17% 20w = 8.4% 30w = 8.3%
- UGR: 10w = 25 15w = 22 20w = 22.2 30w = 22.7

Packing information

| Model | CBM (Master) | Pieces per master | Box Dimensions (CM) | Gross weight (KGS) |
|--------------|--------------|-------------------|---------------------|--------------------|
| 10w 4" | 0.0179 | 12 | 32.5 x 31.5 x 17.5 | 3 |
| 10w / 15w 6" | 0.0186 | 12 | 39.5 x 22.5 x 21 | 5 |
| 20w / 30w 8" | 0.0587 | 12 | 50 x 23.3 x 50 | 8 |

Puck™ Series

4"/6"/8"/10"

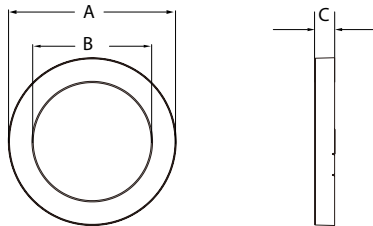


Americanlite® Puck™ Series are surface mounted LED fixtures with an unobtrusive (less than 1" deep) profile that cleanly integrates and compliments any décor.

Americanlite® Puck™ Series offers a sleek ultra-low profile in multiple sizes from 4" to 10". Provides economical installation by mounting directly over standard and fire-rated junction boxes. Puck™ luminaire ring is PC material, back plate: steel, and diffuser: PS. Precision engineered optic provides uniform luminance from an engineered flat lens. DOB driver with Triac dimming capacity, 100% to 10%. Color temperature options include: 3000K, 4000K and 5000K (ANSI C78.377- 2015 guidelines). Complies with Energy Star's requirements for color stability. Puck™ luminaire does not contain mercury or lead and is RoHS compliant. Photometric testing in accordance with IES LM-79-08. Lifespan: 30,000-hour LED lifespan based on IES LM-80 results and TM-21 calculations.

Americanlite® Puck™ Series provides general illumination in residential and commercial applications including multi-family and hospitality. Ideal for use in corridors, living spaces, closets, hallways, pantries, stairways, outdoor covered areas and much more.

Dimensions (mm)



| Power | Size | A | B | C |
|-------|------|-----|-----|------|
| 6w | 4" | 135 | 115 | 16.3 |
| 12w | 6" | 180 | 160 | 16.3 |
| 18w | 8" | 225 | 205 | 16.3 |
| 24w | 10" | 300 | 180 | 16.3 |

Ordering information

| Item | Power | Size | CCT | Lumens |
|----------|-------|------|-------|--------|
| AL582181 | 6w | 4" | 3000K | 360 |
| AL582182 | 6w | 4" | 4000K | 370 |
| AL582183 | 6w | 4" | 5000K | 380 |
| AL582184 | 12w | 6" | 3000K | 910 |
| AL582185 | 12w | 6" | 4000K | 940 |
| AL582186 | 12w | 6" | 5000K | 970 |
| AL582187 | 18w | 8" | 3000K | 1500 |
| AL582188 | 18w | 8" | 4000K | 1550 |
| AL582189 | 18w | 8" | 5000K | 1600 |
| AL582190 | 24w | 10" | 3000K | 2020 |
| AL582191 | 24w | 10" | 4000K | 2060 |
| AL582192 | 24w | 10" | 5000K | 2160 |

Packing information

| Model | CBM (Master) | Pieces per master | Box Dimensions (CM) | Gross weight (KGS) |
|---------|--------------|-------------------|---------------------|--------------------|
| 6w 4" | 0.0269 | 60 | 30.5 x 29.5 x 30 | 18 |
| 12w 6" | 0.0315 | 40 | 38.5 x 21 x 39 | 19.5 |
| 18w 8" | 0.0239 | 20 | 47.5 x 21 x 24 | 13.5 |
| 24w 10" | 0.0215 | 10 | 32 x 21 x 32 | 12 |



Warranty

Americanlite® is pleased to provide a 5 year limited warranty covering the LED fixtures in this catalogue. Americanlite® warrants that the LED fixtures comply with Americanlite®'s published specifications and are free from defects in materials and workmanship.

All our equipment is CE, TUV, FCC or UL approved and manufactured with approved components. Americanlite® reserves the right to change or improve the design or components of any of its products due to parts availability or changes in standards, without assuming any obligation to modify any product previously manufactured and without notice. All equipment is tested and inspected before shipment.

This warranty is void if the product is operated outside of its normal operating conditions. The foregoing warranty does not apply to failures caused by acts of God or as a result of any abuse, misuse, abnormal use, or use in violation of any applicable standard, code or instructions for use in installations, including, but not limited to, those contained in the Standards for the International Electrotechnical Commission. Americanlite® reserves and has the right to examine failed lamp to determine the cause of failure, excessive lumen depreciation and patterns of usage.